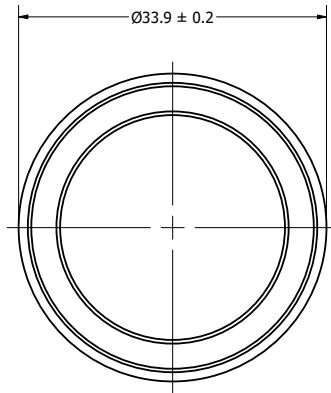
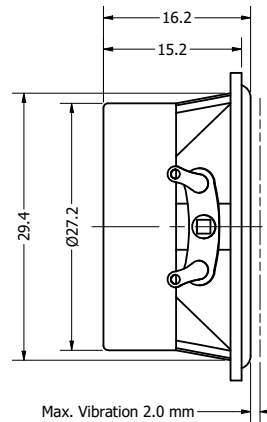


Part Number:	<b>SM330104-1</b>	
	DRAWN CJ	1/29/2018
	CHECKED P.D.	1/31/2018
Description:	Dynamic Speaker	APPROVED C.E.
		1/31/2018
This document contains data proprietary to DB Unlimited. Any use or reproduction, in any form, without prior written permission of DB Unlimited is prohibited. All terms and conditions can be found at <a href="http://www.dbunlimitedco.com">www.dbunlimitedco.com</a>		

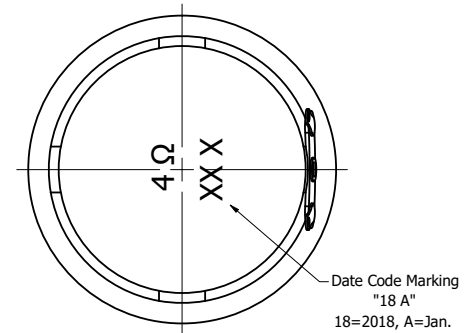
Top View



Side View



Bottom View



Items	Specifications	Conditions	REVISION HISTORY			
Sound Pressure Level	99	dB (@ 10cm), Avg.	REV	DESCRIPTION	DATE	APPROVED
Resonant Frequency	220 ± 100	Hz	1	Released from Engineering	1/31/2018	C.E.
Frequency Range	150 ~ 20,000	Hz	2	Updated SPL	4/20/2018	C.E.
Nominal Power	2.5	W		Updated resonant frequency	10/29/2018	C.E.
Max. Power	3	W				
Impedance	4	Ω				
Cone Material	Aluminum		NOTES			
Mount Type	Flush Mount		1) All dimensions are in mm unless otherwise noted			
Storage Temperature	-30 ~ +60	°C	2) All tolerances are ± 0.5 mm unless otherwise noted			
Operating Temperature	-20 ~ +50	°C	3) All parts meet RoHS			
Weight	34.0	g	4) Subject to change or redrawn without notice			