

## CI44S-15W45-M-1

Rev. 0-2022  
RoHS3 & REACH  
IEC 60601-1-8 Medical Alarm Compliant\*  
Speaker Indicators



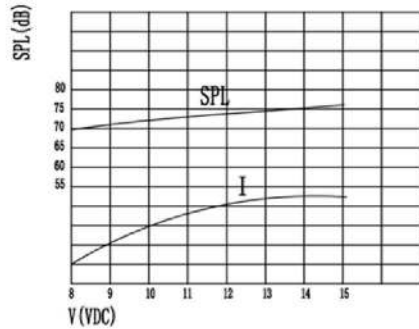
### Operating Characteristics

#### ELECTRICAL

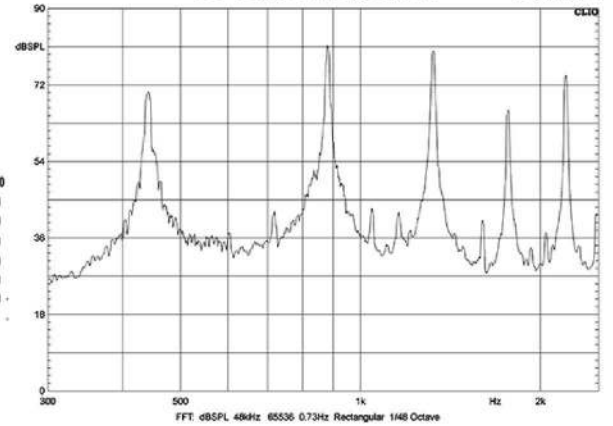
Rated Voltage	10 VDC
Operating Voltage	8 to 15 VDC
Max Current at Vrated	60 mA

#### ACOUSTIC

Tone Category	Multiple See Control Chart
Description	*See Timing Chart
Center $f$	450 Hz $\pm$ 20 %
Min SPL at Vrated	65 dB
Test Conditions	100 cm



#### IEC Compliant Spectrum



### Physical Characteristics

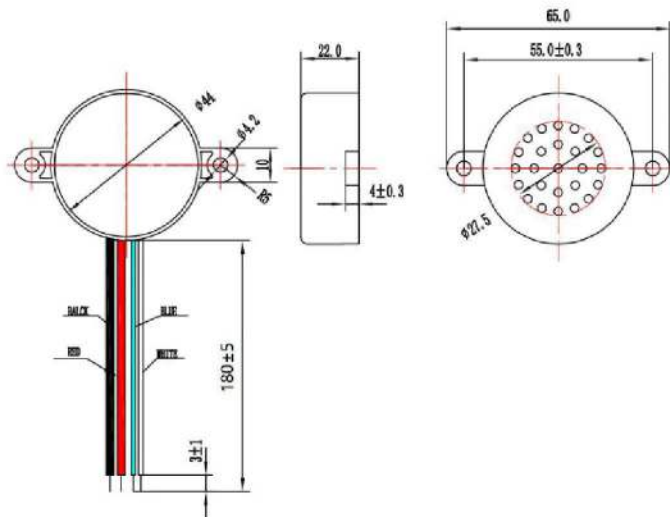
#### MATERIALS

Housing	Black ABS or PPO
Diaphragm	PET
Wire: Red and Black	UL 1007, 26 AWG
Wire: White and Blue	UL1571, 28 AWG

#### TEMPERATURE RANGES

Operating	-20 to +55 °C
Storage	-30 to +70 °C

Weight 26 g



General tolerance =  $\pm 0.5$  mm and all measurements in mm unless otherwise noted.

Revision	Description	By	Date
0-2022	Original Specification	AL	2022-09-07

Warranty: For a period of one (1) year from date of shipping under normal operations conditions. This warranty does not apply to products damaged through misuse, abuse, improper installation, alteration, rework, or attempt to repair.

The information contained herein is believed to be correct, but no guarantee or warranty, express or implied, with respect to accuracy, completeness or results is extended and no liability is assumed. Challenge Electronics reserves the right to make changes in any specification, data or material contained herein.

\*IEC 60601-1-8 compliance is assured by design and not production tested.

©2022 Challenge Electronics, Inc. Pub. 20220922160418

## CI44S-15W45-M-1

Rev. 0-2022  
RoHS3 & REACH  
IEC 60601-1-8 Medical Alarm Compliant\*  
Speaker Indicators



### Control Chart

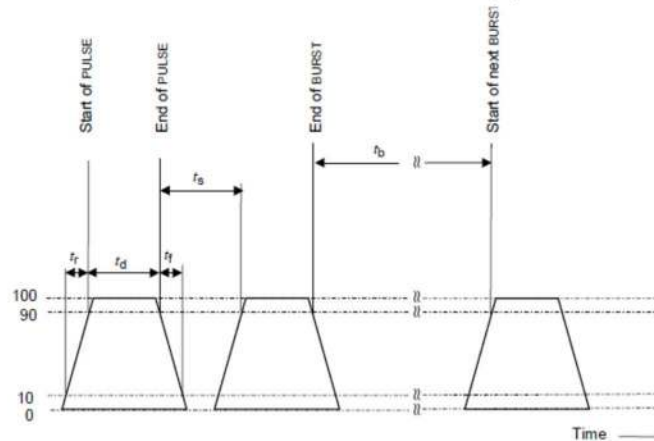
Wire	Low Priority	Medium Priority	High Priority
Black	Negative	Negative	Negative
Red	Positive	Positive	Positive
Blue		High Voltage	
White			High Voltage

High Voltage = 8 - 15 VDC

### Timing Chart

Characteristic	High Priority Alarm Signal	Medium Priority Alarm Signal	Low Priority Alarm Signal
Number of Pulses in Burst	10	3	2
Pulse spacing (ts)			
between 1st and 2nd pulse	0.1	0.2	0.18
between 2nd and 3rd pulse	0.1	0.2	Not Applicable
between 3rd and 4th pulse	0.35	Not Applicable	Not Applicable
between 4th and 5th pulse	0.1	Not Applicable	Not Applicable
between 5th and 6th pulse	1.05	Not Applicable	Not Applicable
between 6th and 7th pulse	0.1	Not Applicable	Not Applicable
between 7th and 8th pulse	0.1	Not Applicable	Not Applicable
between 8th and 9th pulse	0.35	Not Applicable	Not Applicable
between 9th and 10th pulse	0.1	Not Applicable	Not Applicable
Interburst Interval (tb)	10	16	16
Effective Pulse Duration (td)	0.15		
Rise Time (tr)	0.025		
Fall Time (tf)	0.025		

All units are measured in seconds (s)



Revision	Description	By	Date
0-2022	Original Specification	AL	2022-09-07

Warranty: For a period of one (1) year from date of shipping under normal operations conditions. This warranty does not apply to products damaged through misuse, abuse, improper installation, alteration, rework, or attempt to repair.

The information contained herein is believed to be correct, but no guarantee or warranty, express or implied, with respect to accuracy, completeness or results is extended and no liability is assumed. Challenge Electronics reserves the right to make changes in any specification, data or material contained herein.

\*IEC 60601-1-8 compliance and accompanying Timing Chart is assured by design and not production tested.

©2022 Challenge Electronics, Inc. Pub. 20220922160526