

# Precision Test Adapters

## 2.92 mm(F) to 2.92 mm(F)

**Withwave's Precision Test Adapters** are designed based on precision microwave interconnection technologies. This 2.92 mm(F) to 2.92 mm(F) adapter is manufactured to precise microwave specifications and constructed with female gender on side 1 and female gender side 2. The precision microwave connector interfaces ensure an excellent microwave performance up to 40 GHz



### ■ Features

- Frequency range : DC to 40 GHz
- VSWR(Max) : 1.20 : 1
- Stainless steel (passivated)

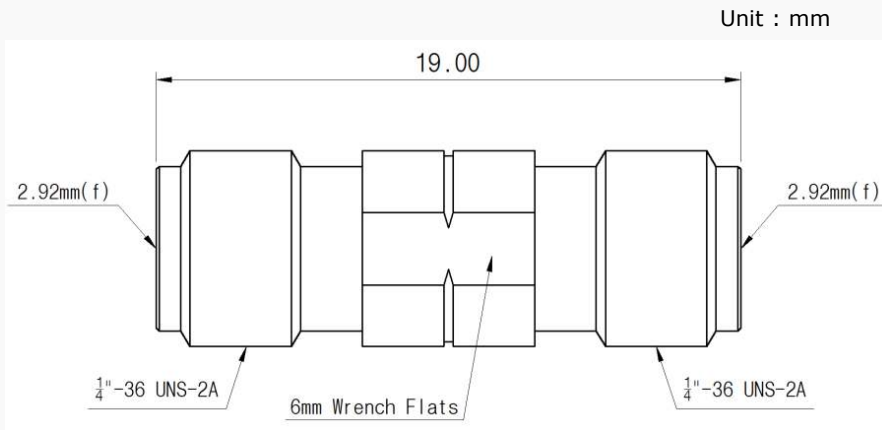
### ■ Specification

| Scope      | Specification        | AD03F03FS1                        |
|------------|----------------------|-----------------------------------|
| Electrical | Impedance(Ohm)       | 50                                |
|            | Operation Freq.(GHz) | DC to 40 GHz                      |
|            | VSWR (Max)           | 1.20 : 1                          |
| Material   | Dielectric           | Special dielectric                |
|            | Center Contact       | Beryllium copper with gold plated |
|            | Body                 | Passivated Stainless Steel        |

\* RoHS Compliant

### ■ Drawing

Part No.: AD03F03FS1



### ■ Test Result

▪ Frequency : 10 MHz to 40 GHz

