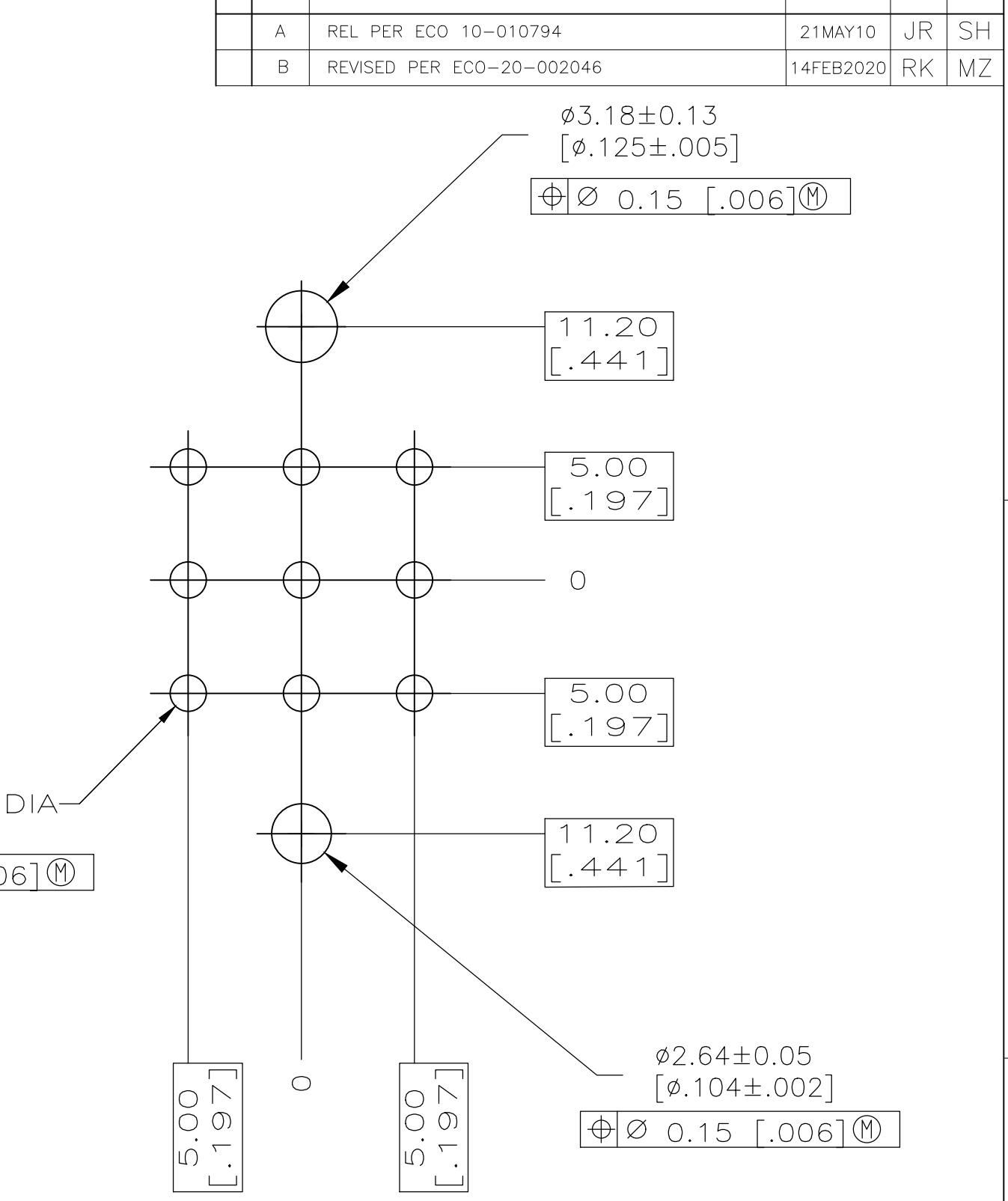
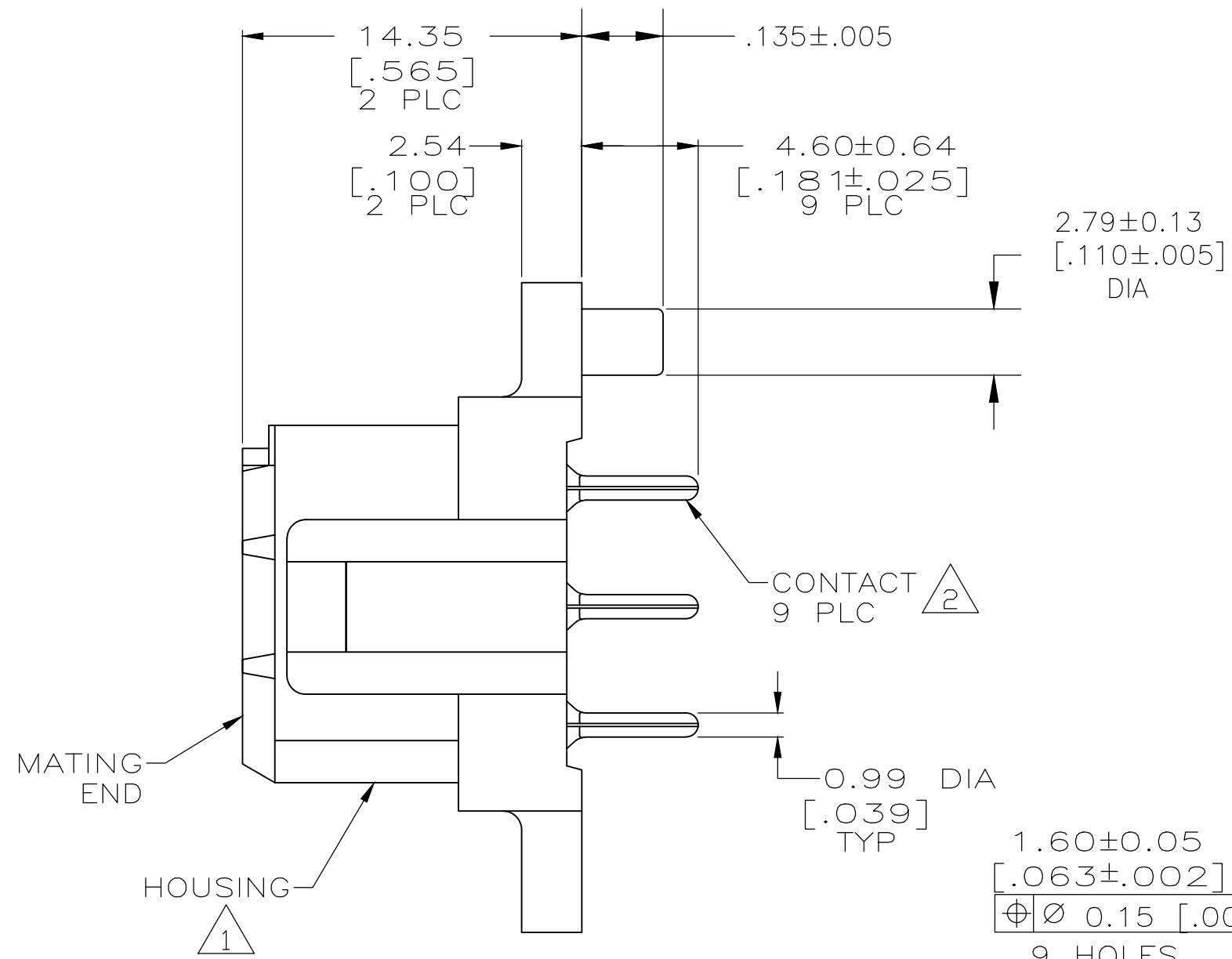
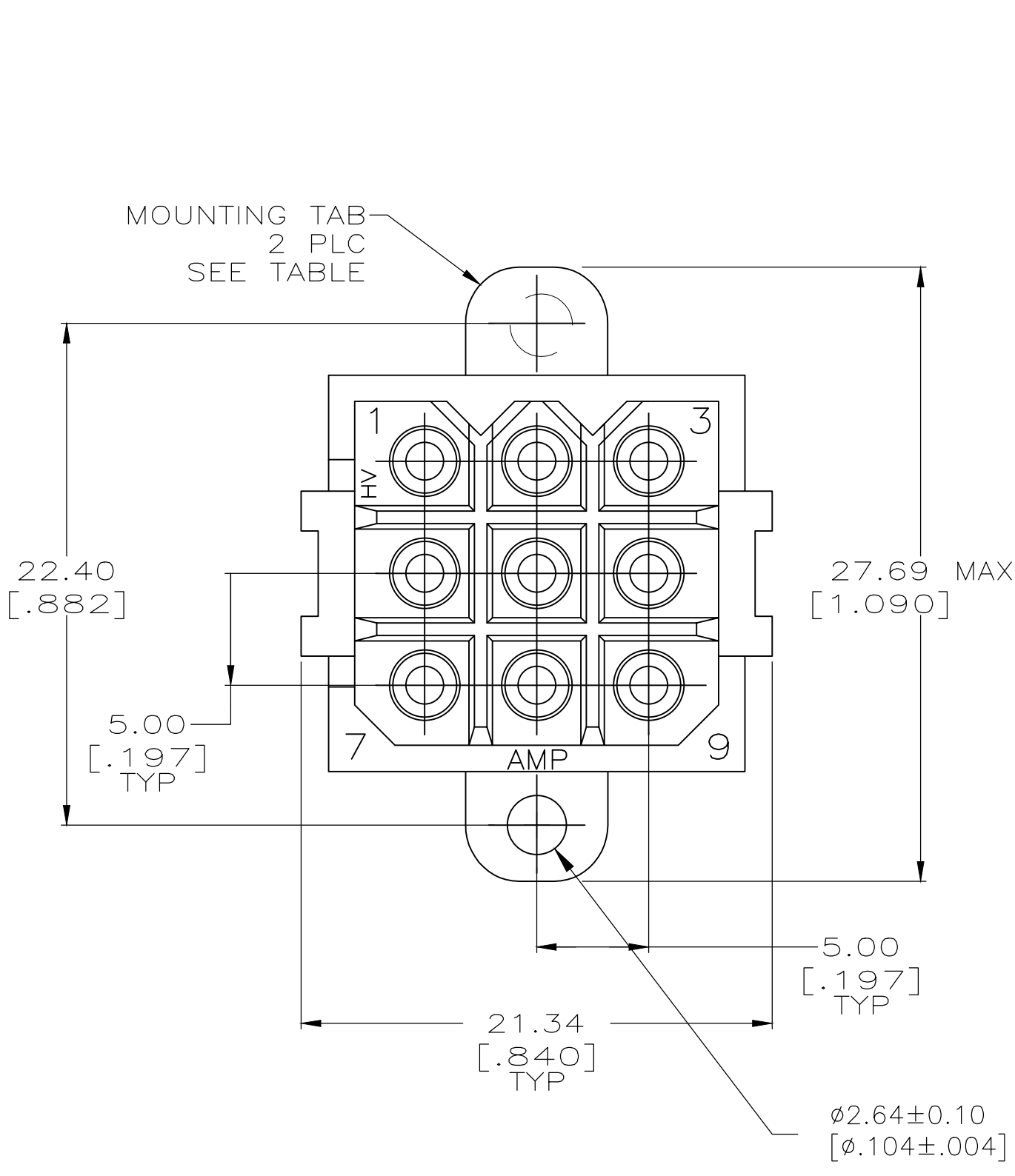


THIS DRAWING IS UNPUBLISHED. RELEASED FOR PUBLICATION  
 © COPYRIGHT - TE Connectivity Ltd. ALL RIGHTS RESERVED.

REVISIONS					
P	LTR	DESCRIPTION	DATE	DWN	APVD
A		REL PER ECO 10-010794	21MAY10	JR	SH
B		REVISED PER ECO-20-002046	14FEB2020	RK	MZ



RECOMMENDED LAYOUT

- 1 HOUSING MATERIAL: PA66, BLACK, UL 94 V-0 RATED.
- 2 CONTACT MATERIAL: PHOSPHOR BRONZE.
- 3 0.76um [.000030] MIN GOLD FOR A LENGTH OF 4.95 [.195] MIN FROM MATING END, 3.81um [.000150] MIN TIN FOR A LENGTH OF 4.88 [.192] MIN ON OPPOSITE END, BOTH OVER 1.27um [.000050] MIN NICKEL.

3	YES	1986647-1
CONTACT FINISH	MOUNTING TABS	PART NO

THIS DRAWING IS A CONTROLLED DOCUMENT.		DWN JR RUTH 30APR10	TE Connectivity			
DIMENSIONS: MM [INCHES]		CHK STEVE HEADER 30APR10				
TOLERANCES UNLESS OTHERWISE SPECIFIED:		APVD STEVE HEADER 30APR10	NAME SOCKET HEADER ASSEMBLY, 9 POSITION, METRIMATE			
0 PLC ± - 1 PLC ± - 2 PLC ± 0.25 [.010] 3 PLC ± - 4 PLC ± - ANGLES ± -		PRODUCT SPEC 108-10033	SIZE A2	CAGE CODE 00779	DRAWING NO C=1986647	RESTRICTED TO -
MATERIAL 1 2		FINISH -	WEIGHT -	SCALE 4:1	SHEET 1 OF 1	REV B
CUSTOMER DRAWING						