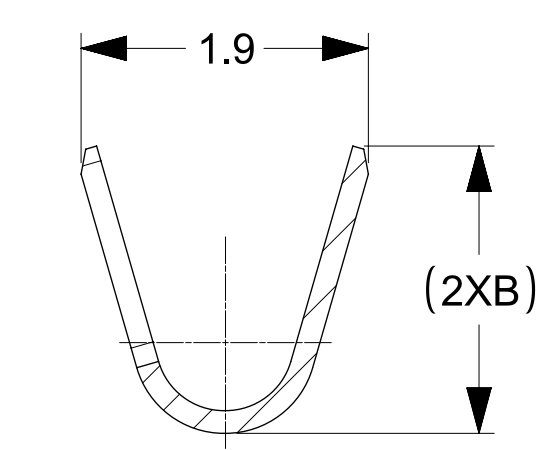
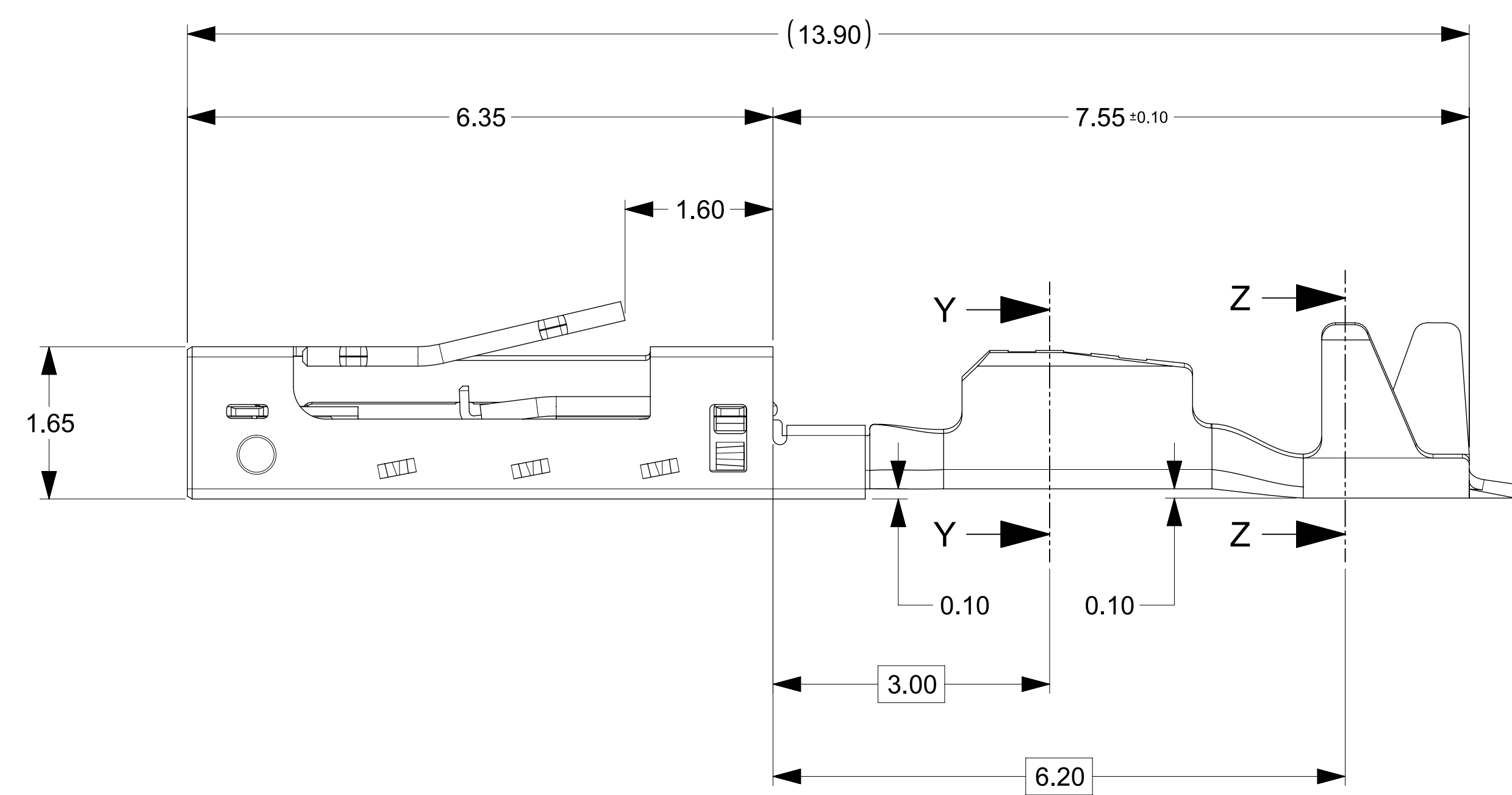
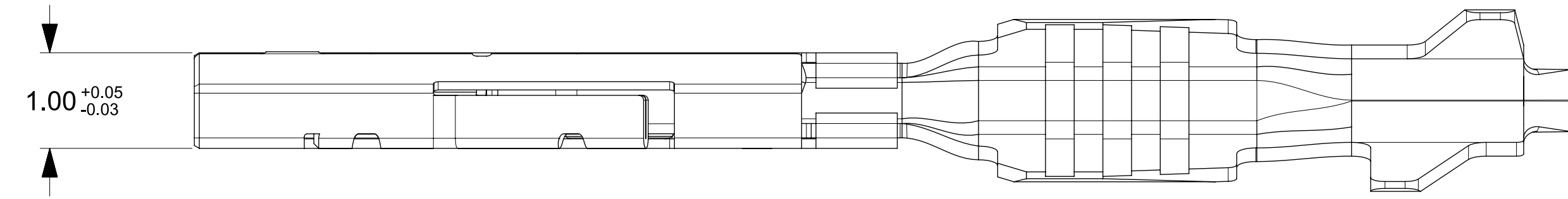
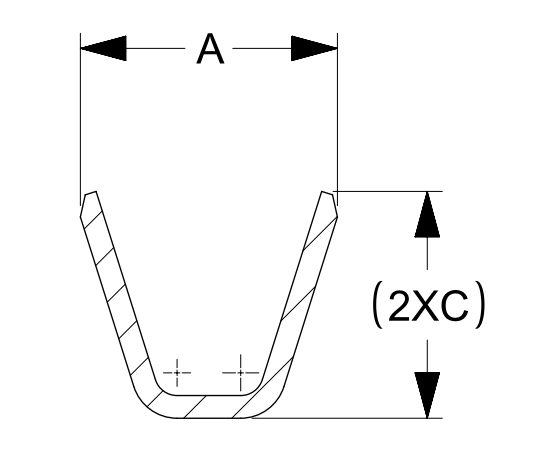


Part Number	DESCRIPTION	STATUS	Marking Type	Top Layer Plating Type	Grip Code	Wire Insulation OD - mm	Wire Size - mm ²	Pay Off Direction	Dimensions - mm			
									Dim A ± 0.12	Dim B	Dim C ± 0.10	Dim H
2000963101	TAK50 STANDARD WITH PIN INTERFERENCE IMPROVEMENTS	ACTIVE	LTG	Sn	L	1.20-1.30	0.35	D	1.70	1.9	1.50	0.17
2000963201			STG	Sn	S	0.95-1.05	0.13	D	1.60	1.8	1.25	0.17
2000963161			LTG	Sn	L	1.20-1.30	0.35	B	1.70	1.9	1.50	0.17
2000963261			STG	Sn	S	0.95-1.05	0.13	B	1.60	1.8	1.25	0.17



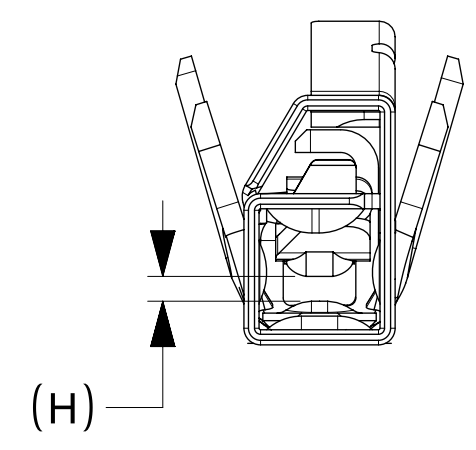
SECTION Z-Z



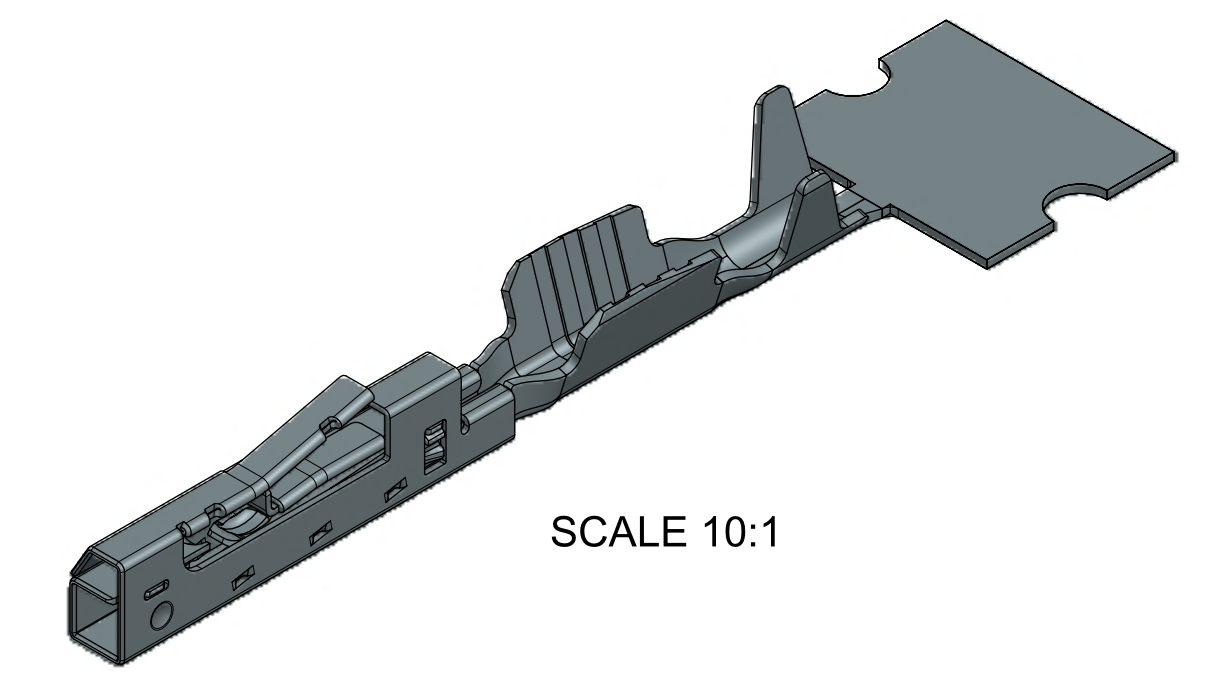
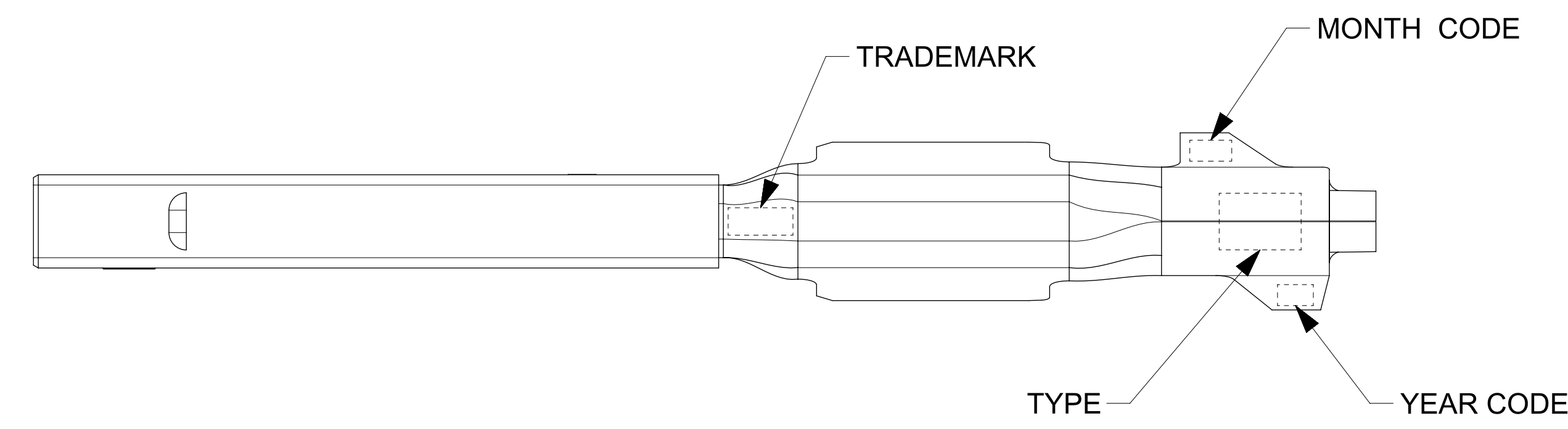
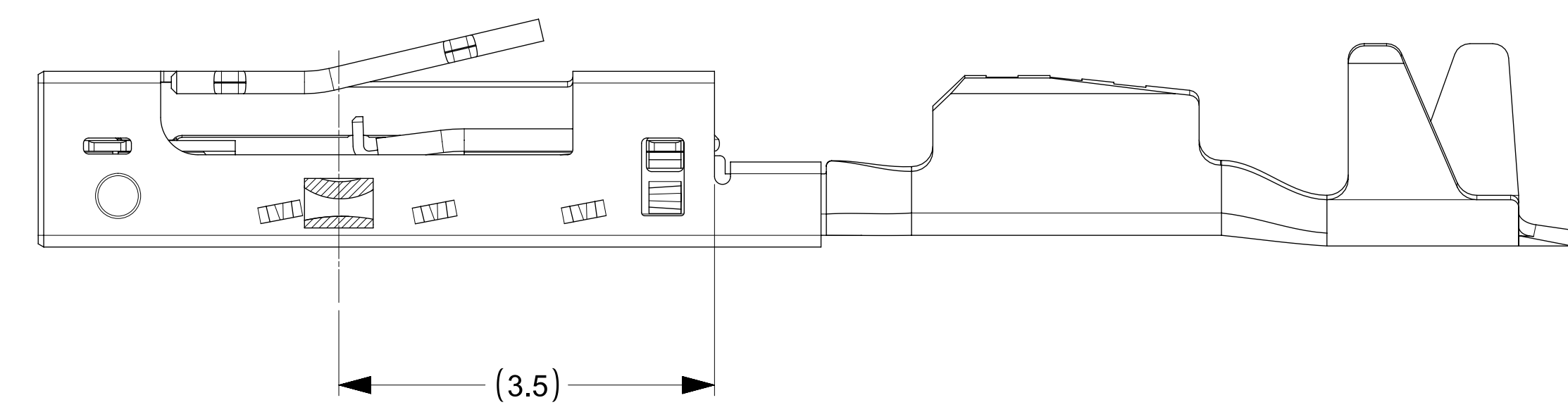
SECTION Y-Y

NOTES: (UNLESS OTHERWISE SPECIFIED)

- MATERIAL:
 - BODY: COPPER ALLOY
 - SLEEVE: STAINLESS STEEL
- PLATING: SEE TABLE 1
- PACKAGING SPEC: 313025040
- CRIMPING SPEC: 2000960001
- PRODUCT SPEC: 2000960000
- PROBING THE CONTACT INTERFACE OF THE TERMINAL OR AT ANY POINT ON THE TERMINAL BEAM IS NOT PERMITTED



(H)



SCALE 10:1

THIS DRAWING CONTAINS INFORMATION THAT IS PROPRIETARY TO MOLEX ELECTRONIC TECHNOLOGIES, LLC AND SHOULD NOT BE USED WITHOUT WRITTEN PERMISSION											
DIMENSION UNITS mm		SCALE 20:1		CURRENT REV DESC:							
GENERAL TOLERANCES (UNLESS SPECIFIED)		EC NO: 679926		DRWN: SMAHADIK 2021/09/29							
ANGULAR TOL ± 1.0°		4 PLACES ± 0.01		CHK'D: SMAHADIK 2021/09/29				MOLEX TAK50_WR_TERM_RCPT UNSEALED			
3 PLACES ± 0.015		2 PLACES ± 0.05		APPR: BMOSER 2021/10/07				PRODUCT CUSTOMER DRAWING			
1 PLACE ± 0.1		0 PLACES ± 0.2		INITIAL REVISION:				DOCUMENT NUMBER			
DRAFT WHERE APPLICABLE MUST REMAIN WITHIN DIMENSIONS		THIRD ANGLE PROJECTION		DRWN: KSUTAR 2021/06/02				2000960004			
		DRAWING		APPR: BMOSER 2021/06/14				DOC TYPE DOC PART REVISION			
		A1-SIZE		SERIES				PSD 000 A2			
		200096		MATERIAL NUMBER				CUSTOMER			
		SEE TABLE		GENERAL MARKET				SHEET NUMBER			
		1 OF 1									