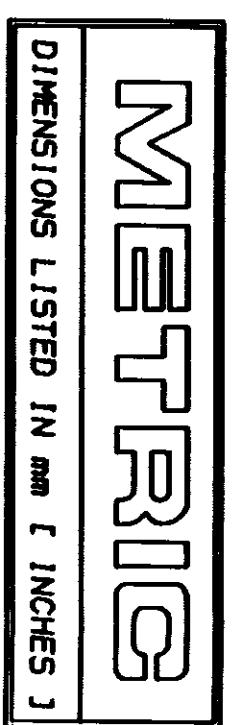
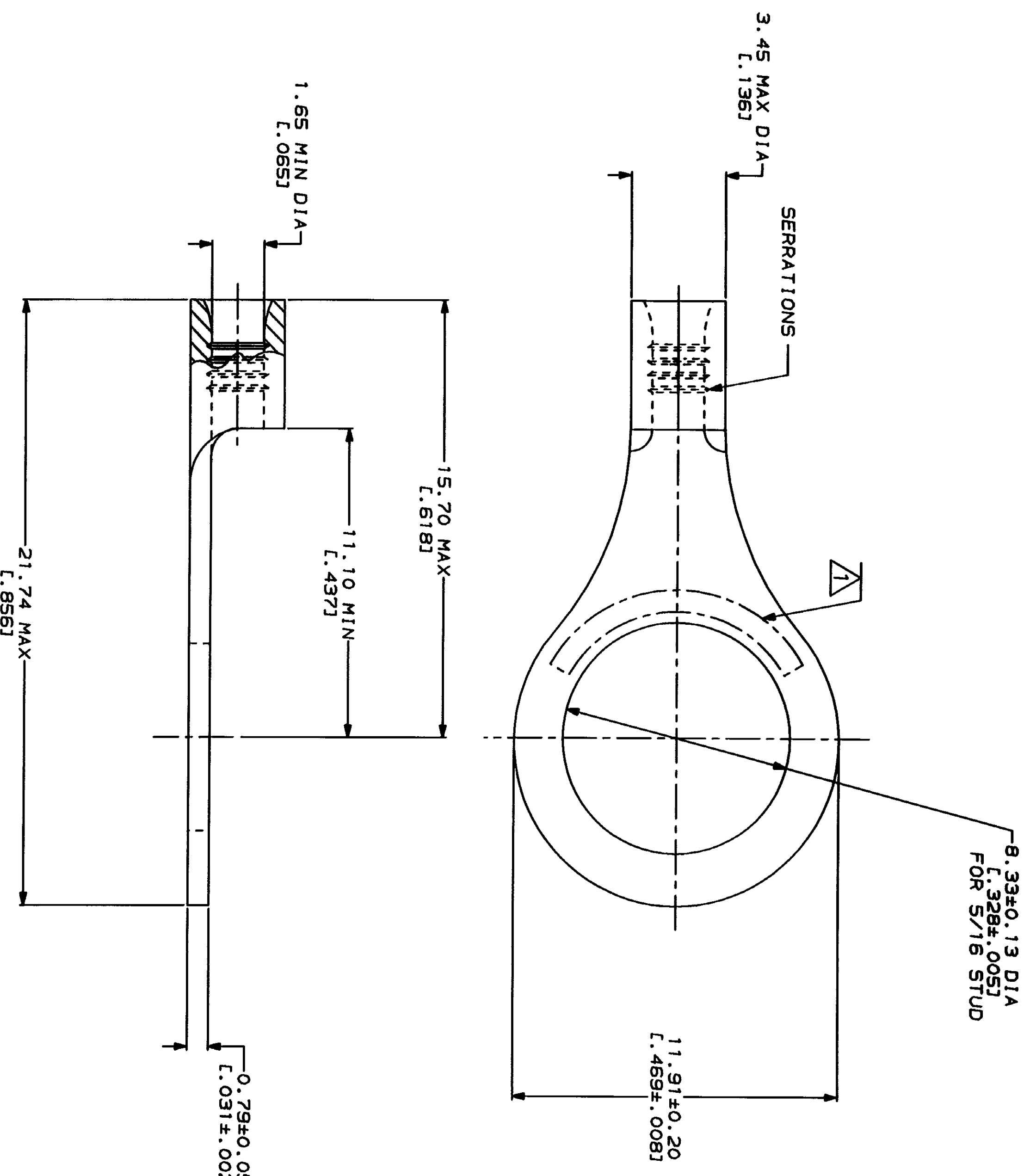


LOC	DATE	BY	DESCRIPTION	DATE	APPD
G	14	P	REVISED PER 0720-0230-93	2/25/93	JL



WIRE RANGE	22-16 AWG STRANDED	E13288 Listed
WIRE RANGE	22-16 AWG STRANDED	MILITARY P/N AND CLASS
NOT CERTIFIED	NOT APPLICABLE	

STAMP AMP 22-18* APPROX AS SHOWN
 22-16 TERMINALS ARE STAMPED 22-18 IN
 ACCORDANCE WITH MILITARY SPECIFICATION
 MIL-T-7928, COMMERCIAL WIRE RANGE IS 22-16



AMP INCORPORATED
 CUSTOMER SERVICE SYSTEMS

MAX RECOMMENDED OPERATING TEMPERATURE: 170°C MAX

FOR ADDITIONAL PRODUCT INFORMATION OR COPIES OF DRAWINGS AND TECHNICAL DOCUMENTS

VOLTAGE RATING: NOT APPLICABLE

FOR APPLICATION TOOLS INFORMATION

WIRE CROSS SECTIONAL AREA RANGE: 0.26-1.65mm² (S09-3,260) CIR MILS STRANDED

FOR ORDER ENTRY

THIS DRAWING IS A GENERALIZED DRAWING FOR THE PURPOSE OF ILLUSTRATING THE GENERALIZATION AND THE CONTRACTING ORGANIZATION SHOULD BE CONTACTED FOR THE LATEST REVISION.

AMP 1471-4 REV 3-82

DO NOT SCALE PRINT. UNLESS SPECIFIED DIMENSIONS IN INCHES. TOLERANCES ON: 2 PLC DEC # - - 3 PLC DEC # - - ANGLES # - -

FINISH: TIN PLATE
 0.00254L (0.00100) MIN THK PER MIL-T-10727

DR 2-3-93 TA BRIKMAN	5000	ON TAPE	3-31173-3
CHK 2-3-93 DA PATTERSON	---	LOOSE PIECE	31173
APPD 2-3-93 DE MILLER	QUANTITY	PACKAGE TYPE	PART NO
APPD 2-3-93 JL HECKLEY			

NAME: AMP INCORPORATED
 Harrisburg, PA 17105-3608

TERMINAL, RING TONGUE, BUDGET

SIZE: 00779
 CASE CODE: 00779
 DRAWING NO: 31173

SCALE: 8:1