

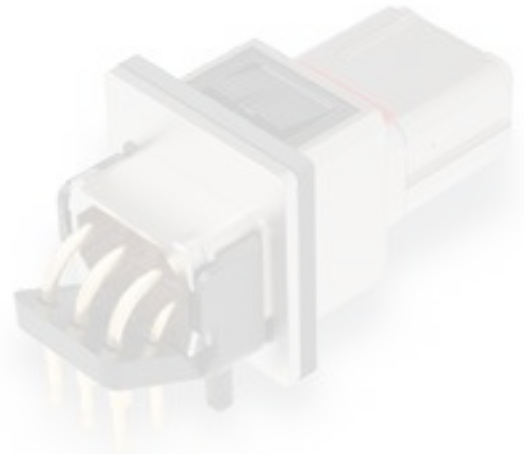
369 SERIES CONNECTORS

HIGH-RELIABILITY, LIGHTWEIGHT, SMALL FORM FACTOR CONNECTORS SUITED TO HARSH ENVIRONMENTS ...

- EWIS Compliant
- Simple Install and Maintenance
- Space Efficient / Stackable

Table of Contents

Overview	3
In-Line Standard Connectors	4
In-Line Harsh Connectors	6
Panel-Mount Connectors	7
Sealed Panel-Mount Connectors	9
PCB-Mount Connectors	10
Shielded Rectangular Connectors	12
Shielded PCB/Panel-Mount Connectors	14
Part Numbering System	18
Accessories	19
Contact Crimping	21
Common Part Numbers	22





High-reliability, lightweight, compact connectors

RUGGED

- BACC options available
- EMI shielded option available
- Low smoke, toxicity and flammability
- Excellent temperature, vibration and fluid resistance
- Triple barrier wire seals
- Cork-in-bottle interface seal

WEIGHT AND SPACE SAVINGS

- Rectangular shape saves space
- Lightweight composite materials
- No fasteners to mount

ROBUST DESIGN

- Based on existing ARINC 809/EN4165/ARINC 854
- AS39029/EN3155 contacts

CONVENIENT

- Color-coded keyed shells
- Scoop-proof interface for blindmating

SECURE

- Cable tie “locks out” the mating button

FLUIDS

- Synthetic hydraulic fluid
- Mineral lubricant
- Synthetic lubricant
- Cleaning products
- De-icing fluid
- Extinguishing fluid
- Solvent for cleaning purposes

APPLICATIONS

- Cabin lighting
- Oxygen mask systems
- Galley systems
- Seat actuation systems
- Industrial
- Unmanned vehicles
- Commercial and military helicopters
- Medical
- Automotive



Versatile and Compact

369 series connectors from TE Connectivity (TE) are high-reliability, harsh environment, small form factor connectors suited to aerospace applications that are 40% smaller, 80% lighter and lower cost than comparable solutions. These connectors have been designed to meet today's tightening industry regulations and Electrical Wiring Interconnect Systems (EWIS) best practices. Based on EN4165/ARINC 809 connectors, the lightweight, compact 369 series connectors, available in 3, 6, and 9 positions standard, are suited for a variety of applications.

Easy to Use

Installation and maintenance of cabling is simple, quick, and reliable with a range of individually color-coded keying options. Each mated half of the connector can be configured with either male or female contacts, doubling the keying configurations available and electrically protecting contacts on the powered-side of a system.

The connectors' rectangular shape and integral ribs permits space-efficient stacking, while cable ties allow versatile mounting without the need for additional lock-out fasteners. The scoop-proof interface is particularly suitable for blind-mating or low visibility conditions. A button-latching mechanism secures the mated connectors with an audible click to confirm a complete connection.

Sealed and Safe

The connectors are fully sealed for use in areas with high levels of moisture. High-performance composite materials help meet the low smoke, toxicity and flammability requirements of the aerospace industry.

In-Line Standard

MECHANICAL CHARACTERISTICS

- **Operating Temperature:** -55°C to +175°C
- **Fluid Resistance:** EN2591-315
- **IP Rating:** IP67
- **Altitude/Humidity:** RTCA DO-160
- **Vibration:** EN2591-403, Method B, Level E, 8 hr/axis
- **Shock:** EN2591-402, Method A, Severity 100
- **Smoke and Toxicity:** FAR 25.853, Appendix F; ABD0031
- **Flammability:** FAR 25.853 Appendix F; EN2591-317
- **Durability:** 500 Mating Cycles

Keying Color Codes



MATERIALS

- **Body and Insert:** Composite thermoplastic
- **Contacts:** Copper alloy, gold plated
- **Seals and Panel Gasket:** Fluorosilicone rubber
- Designed to meet the requirements of RoHS

ELECTRICAL CHARACTERISTICS

- **Dielectric Withstanding Voltage:** 1500 V_{rms} mated, <2 mA leakage
- **Operating Current:** 5 A
- **Insulation Resistance:** ≥5000 MΩ initial
- **Operating Voltage:** 400vac 500vdc

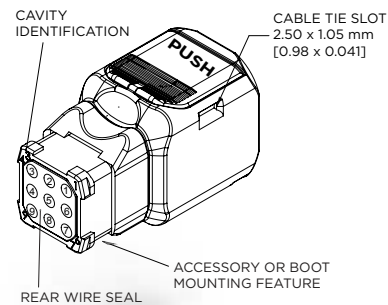
Instruction Documents

Panel: 408-32194

PCB Panel: 408-163008

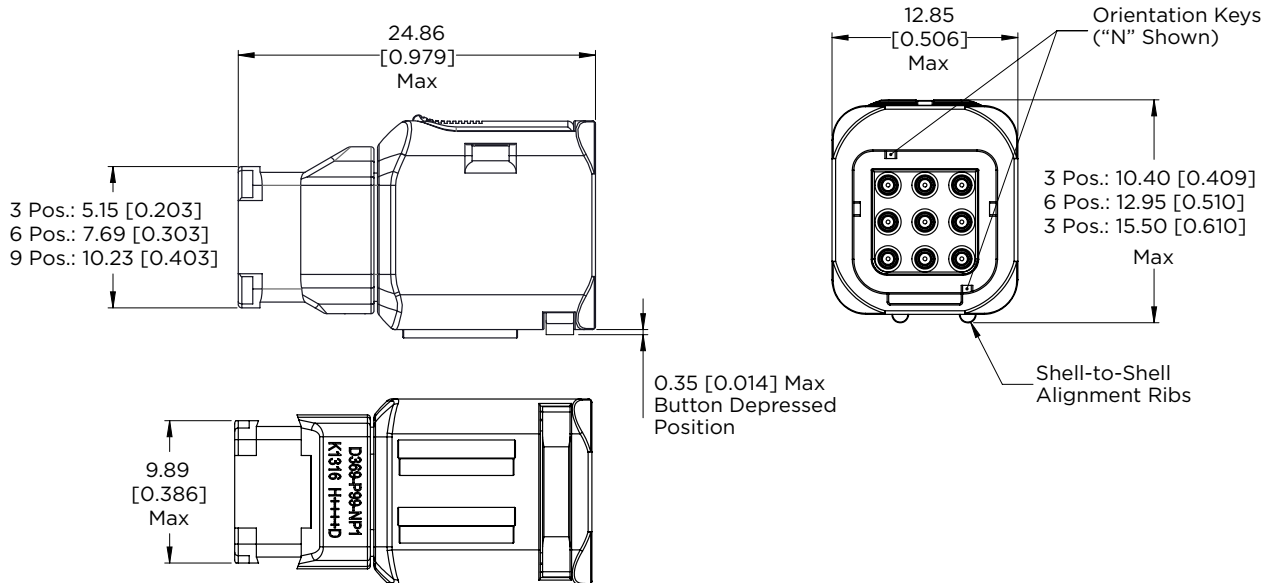
PCB In-Line: 408-163009

Instruction Sheet: 408-32252



In-Line Standard

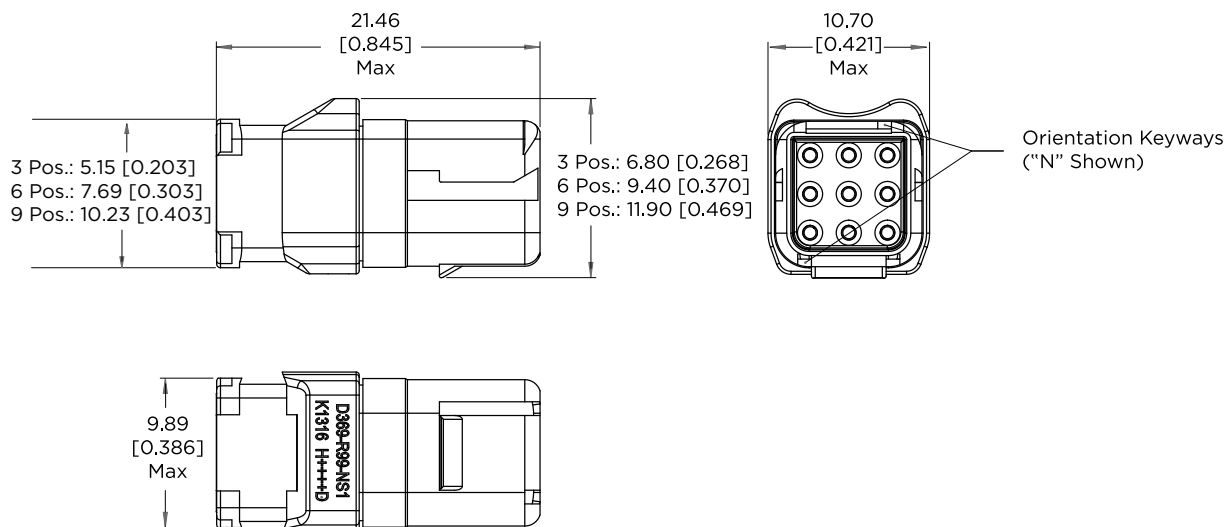
Plug Connector (Standard and Harsh)



Shell Size	Mass*
3	1.9 g [0.067 oz]
6	2.4 g [0.085 oz]
9	3.0 g [0.105 oz]

*Mass based on plug less male contact configuration
 Mass for 1 male contact = 0.073 g [0.0026]
 Recommended cable-tie: 2.5 mm [0.10"]

Receptacle



Shell Size	Mass*
3	1.0 g [0.035 oz]
6	1.5 g [0.053 oz]
9	2.0 g [0.070 oz]

*Mass based on receptacle less female contact configuration
 Mass for 1 female contact = 0.112 g [0.004 oz]

For part numbers, please see page 22.

In-Line Harsh

MECHANICAL CHARACTERISTICS

- **Operating Temperature:** -55°C to +175°C
- **Fluid Resistance:** EN2591-315
- **IP Rating:** IP67
- **Altitude:** EN2591-314: 12.1kPa (1.75 psi) @ 15 km (50,000 ft)
- **Humidity:** EN2591-321 / EIA-364-31 Method IV
- **Vibration:** EN2591-403, Method B, Level E, 8 hr/axis
- **Shock:** EN2591-402, Method A, Severity 100
- **Smoke and Toxicity:** FAR 25.853, Appendix F; ABD0031
- **Flammability:** FAR 25.853 Appendix F; EN2591-317
- **Durability:** 500 Mating Cycles

Keying Color Codes



MATERIALS

- **Body and Insert:** Composite thermoplastic
- **Contacts:** Copper alloy, gold plated
- **Seals and Panel Gasket:** Fluorosilicone rubber
- Designed to meet the requirements of RoHS

ELECTRICAL CHARACTERISTICS

- **Dielectric Withstanding Voltage:** 1500 V_{rms} mated, <2 mA leakage
- **Operating Current:** 5 A
- **Insulation Resistance:** ≥5000 MΩ initial

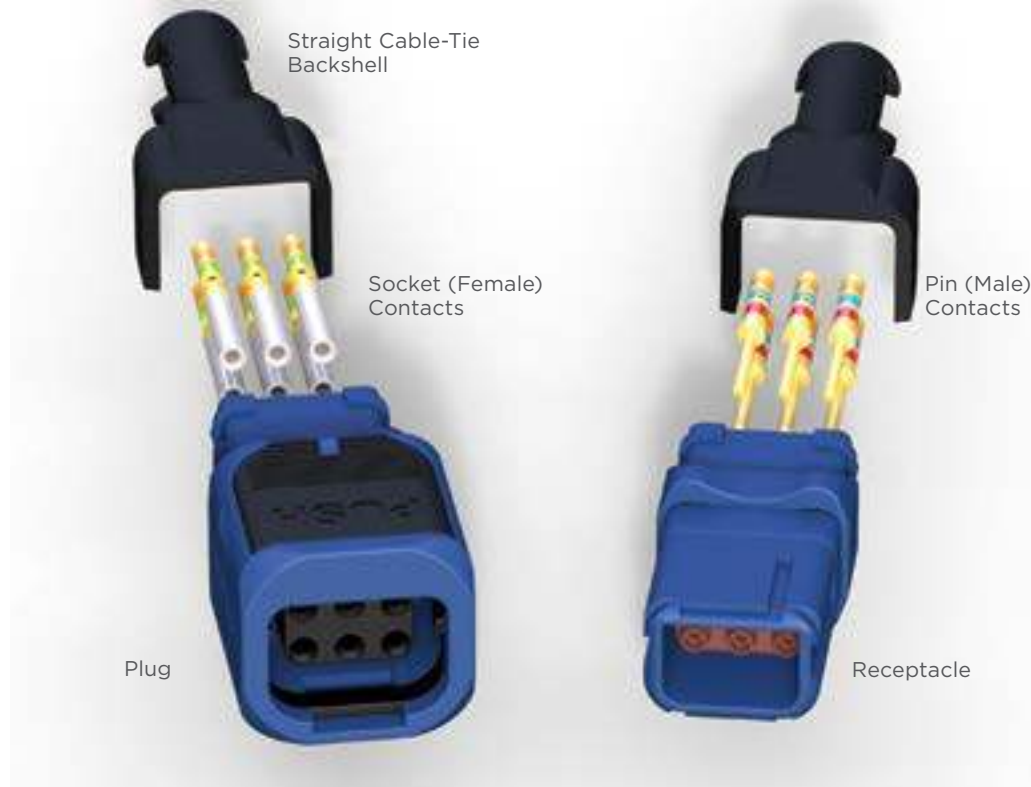
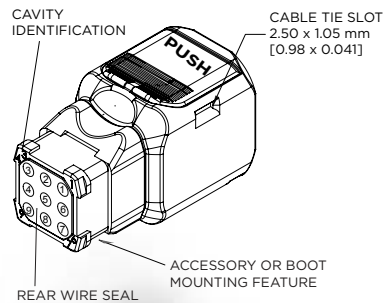
Instruction Documents

Panel: 408-32194

PCB Panel: 408-163008

PCB In-Line: 408-163009

Instruction Sheet: 408-32252



For part numbers, please see page 22.

Panel-Mount Connectors

High-reliability, lightweight, compact connectors

EASY TO INSTALL

- Integrated panel latches for mtg.
- No fasteners required
- Simple push-in mounting
- One panel hole only

VERSATILE

- Toolless removal for maintenance and repair
- Anti-rattle gasket and sealed gasket available

SPACE SAVING

- Compact design
- Tight mounting pitch of multiple connectors
- No additional space required for fasteners

WEIGHT SAVING

- Composite shells
- No additional fasteners required

RUGGED

- Low smoke, toxicity and flammability
- Excellent temperature, vibration and fluid resistance
- Triple barrier wire seals
- Cork-in-bottle interface seal

CONVENIENT

- Compatible with existing 369 series connectors
- Uses standard 369 wire strain-relief backshell
- Uses AS39029 Size 22 contacts

RELIABLE

- Positive button latching mechanism with audible click
- Scoop proof to minimize contact damage and allow blindmating

APPLICATIONS

- Cabin lighting and galley
- Seat wiring and actuation
- Passenger service units
- In-flight entertainment
- Electronic window shutters
- Ethernet up to 2.5 Gbs



Fast, Easy Tool-less Panel Mounting

369 series panel-mount connectors from TE Connectivity (TE), an extension to the existing 369 series product line, allow easy, fast mounting to an LRU (line-replaceable unit) panel, bracket, chassis, or frame. The integrated panel latches simply clip into a rectangular cut-out and require no additional fasteners or fixings. The latches also allow later removal from the panel. The connectors feature an anti-rattle panel gasket.

The connectors' rectangular shape permits space-efficient stacking, and remain fully compatible with standard 369 series connectors.

A button-latching mechanism secures the mated connectors.

Sealed and Safe

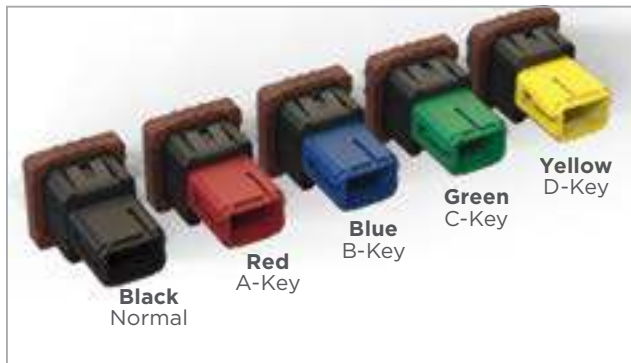
The electrical interfaces are fully sealed using cork-in-bottle and triple wire seal technology for use in areas with high levels of moisture. High-performance composite materials help meet the low smoke, toxicity and flammability requirements of the aerospace industry.

Panel-Mount Connectors

MECHANICAL CHARACTERISTICS

- **Operating Temperature:** -55°C to +175°C
- **Fluid Resistance:** EN2591-315
- **IP Rating:** IP65; **Sealed Version:** IP67
- **Altitude/Humidity:** RTCA DO-160
- **Vibration:** EN2591-403, Method B, Level E, 8 hr/axis
- **Shock:** EN2591-402, Method A, Severity 100
- **Smoke and Toxicity:** FAR 25.853, Appendix F; ABD0031
- **Flammability:** FAR 25.853 Appendix F; EN2591-317
- **Durability:** 500 Mating Cycles

Keying Color Codes



MATERIALS

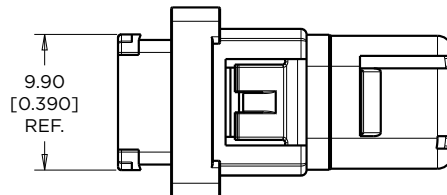
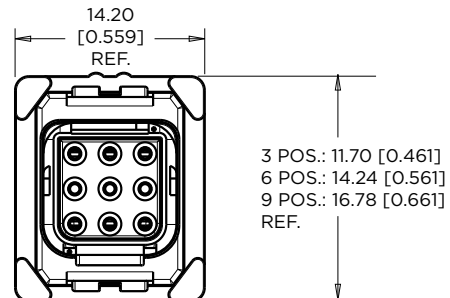
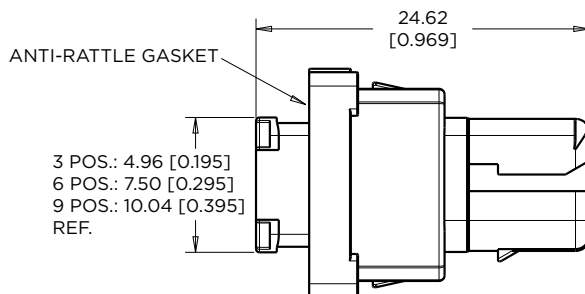
- **Body and Insert:** Composite thermoplastic
- **Contacts:** Copper alloy, gold plated
- **Seals and Panel Gasket:** Fluorosilicone rubber
- Designed to meet the requirements of RoHS

ELECTRICAL CHARACTERISTICS

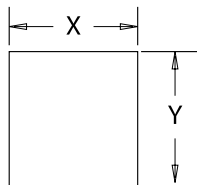
- **Dielectric Withstanding Voltage:** 1500 V_{rms} mated, <2 mA leakage
- **Operating Current:** 5 A
- **Insulation Resistance:** ≥5000 MΩ initial
- **Operating Voltage:** 400vac 500vdc

Instruction Documents

Panel: 408-32194
PCB Panel: 408-163008
PCB In-Line: 408-163009
Instruction Sheet: 408-32252

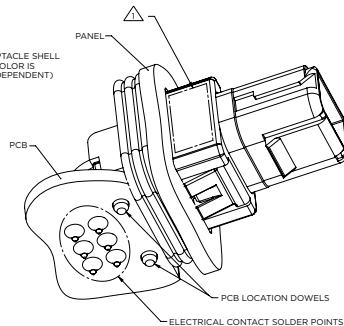
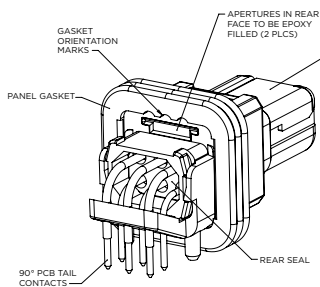
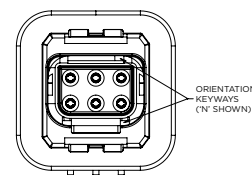
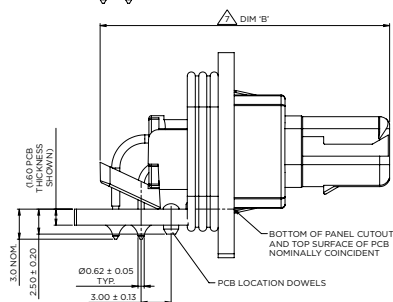
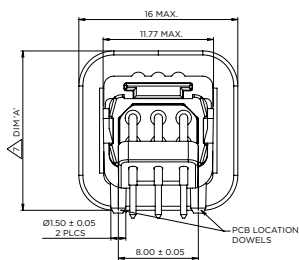
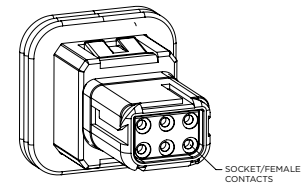
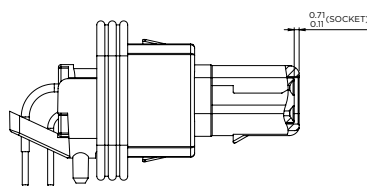
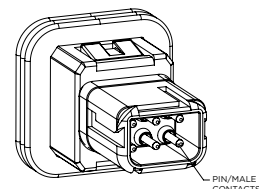
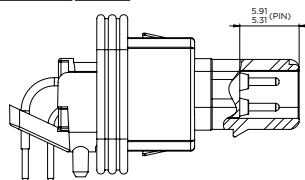
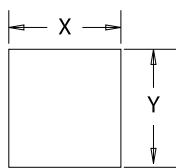


Recommended Panel Cutout		
Connector Size	X ±0.08 (0.003)	Y ±0.03 (0.001)
3		8.95 (0.352)
6	10.85 (0.420)	11.49 (0.452)
9		14.03 (0.552)



Sealed Panel-Mount Connectors

Recommended Panel Cutout		
Connector Size	X ±0.08 (0.003)	Y ±0.03 (0.001)
3		8.95 (0.352)
6	10.85 (0.420)	11.49 (0.452)
9		14.03 (0.552)



D369 - B 3 3 - N P 4 - 119P

BASIC PART NUMBER _____

SHELL STYLE _____
B Panel Mount*
 Receptacle 90°

SHELL SIZE _____

CONTACT QUANTITY _____
 (3 = 3 x #22, 6 = 6 x #22, 9 = 9 x #22)

MOD CODE (SEALED) _____

CONTACT CONFIGURATION
0 Without Contacts
1 With Crimp Contacts
3 With Size 20/22 Contacts
4 90° Gold Plated PCB Tail

CONTACT TYPE
P PIN
S SKT

SHELL KEYING _____

For IP67 rating panel thickness of 1.93 to 2.03 is suggested

For part numbers, please see page 22.

PCB-Mount Connectors

High-reliability, lightweight, compact connectors

COMPATIBLE

- Fully compatible with 369 connector family
- Choice of in-line or panel-mount versions

SPACE SAVING

- Compact, high-density connectors
- Small PCB footprint
- Rectangular design enables close mounting pitch with adjacent connectors
- No fasteners required
- Eliminates flying leads for connectivity to board

EASY TO INSTALL

- Mechanically self-retaining during soldering of in-line connectors
- No additional solder fixtures required
- Easy washout for post-soldering cleaning

RELIABLE

- Mechanical location feature reduces mechanical stress on solder joints

APPLICATIONS

- Commercial and business aircraft
 - Lighting
 - Seat wiring and actuation
 - Passenger service units
 - On-board entertainment systems
 - Electronic window shutters
 - Galley
- Helicopter lighting
- Military land and aerospace
- Mass transit lighting
- Automotive uses

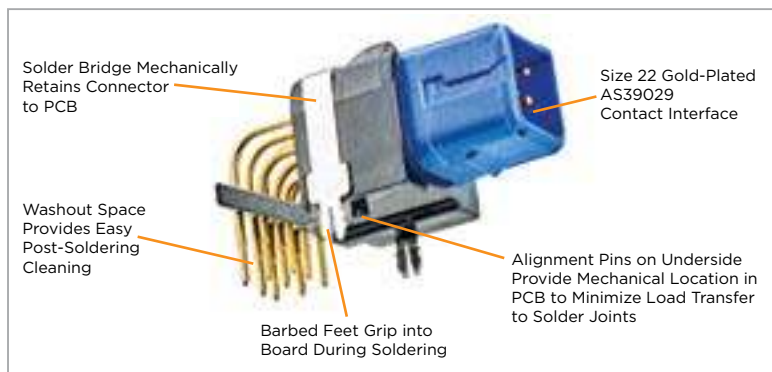


Reliable, Convenient PCB Application

An extension to the popular 369 connector series product line, the 369 PCB connector mounts to a printed-circuit board (PCB). The PCB connectors are available in an in-line version and a panel-mount version. Fully compatible with existing 369 shielded and harsh connectors.

The PCB connector simply inserts into the board and is then soldered, requiring no additional fasteners or fixings. The end result is an easy and quick-to-mount aerospace-qualified connector with a very compact footprint to help ensure PCB real-estate is maximized.

Keying Color Codes



PCB-Mount Connectors

MECHANICAL CHARACTERISTICS

- **Operating Temperature:** -55°C to +175°C
- **Fluid Resistance:** EN2591-315
- **IP Rating:** IP67
- **Altitude/Humidity:** RTCA DO-160
- **Vibration:** EN2591-403, Method B, Level E, 8 hr/axis
- **Shock:** EN2591-402, Method A, Severity 100
- **Smoke and Toxicity:** FAR 25.853, Appendix F; ABD0031
- **Flammability:** FAR 25.853 Appendix F; EN2591-317
- **Durability:** 500 Mating Cycles

MATERIALS

- **Body and Insert:** Composite thermoplastic
- **Contacts:** Copper alloy, gold plated

- **Seals and Panel Gasket:** Fluorosilicone rubber
- Designed to meet the requirements of RoHS

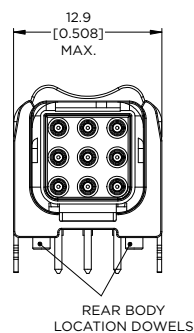
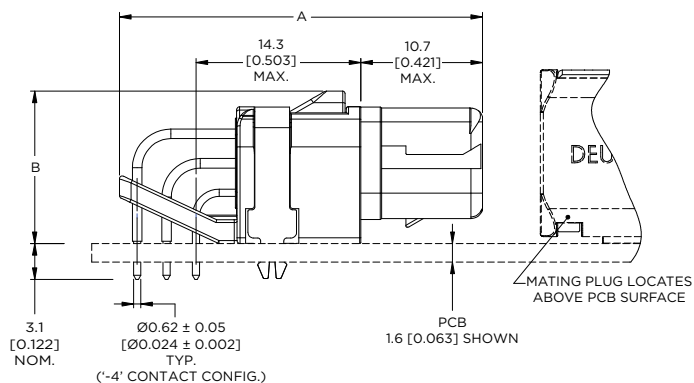
ELECTRICAL CHARACTERISTICS

- **Dielectric Withstanding Voltage:** 1500 V_{rms} mated, <2 mA leakage
- **Operating Current:** 5 A
- **Insulation Resistance:** ≥5000 MΩ initial
- **Operating Voltage:** 400vac 500vdc

Instruction Documents

Panel: 408-32194
 PCB Panel: 408-163008
 PCB In-Line: 408-163009
 Instruction Sheet: 408-32252

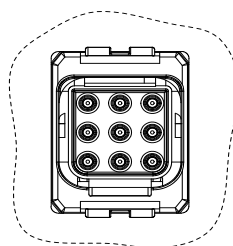
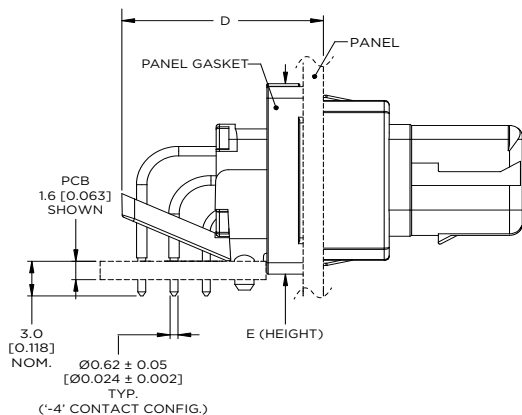
In-Line PCB Connectors



No. of Positions	A Max.	B Max.
3	26.6 1.047	8.4 0.331
6	29.1 1.146	10.9 0.429
9	31.6 1.244	13.4 0.528

Millimeters Inches

Panel-Mount PCB Connectors



No. of Positions	C Max.	D Max.	E Max.
3	26.8 1.055	11.2 0.441	11.7 0.461
6	29.4 1.157	13.7 0.539	14.2 0.559
9	32.0 1.260	16.3 0.642	16.8 0.661

Millimeters Inches

For part numbers, please see page 22.

Shielded Rectangular Connectors

EASY TO INSTALL

- No fasteners
- Push/pull mate

VERSATILE

- Compatible with existing 369 connector series
- Easily removed for maintenance
- Meets ARINC 854 ethernet over single twisted pair (1000Base-T1)

SPACE SAVING

- Compact design
- Tight mounting pitch of multiple connectors

WEIGHT SAVINGS

- Composite nickel plated shells
- No additional fasteners required

RUGGED

- Triple barrier wire seals
- Cork-in-bottle interface seal
- Performance up to 60K feet
- Uses AS39029 size 22 AWG contacts
- Durable unibody construction

RELIABLE

- Designed to MIL-DTL-38999 levels of performance
- EWIS compliant
- Positive blind-mate with audible latching click
- Scoop proof
- Defined under ARINC800P2

ENVIRONMENTALLY FRIENDLY

- Low smoke, toxicity and flammability
- REACH/RoHS



Description

TE Connectivity (TE)'s 369 shielded connector brings an enhanced product extension to the current 369 connector family where ambient EMI noise protection is required.

Backward Compatible

- Intermateable with current 369 product offerings.

Proven Shielding Effectiveness

- >60 DB at low frequencies
- >40 db at high frequencies
- Can withstand indirect lightning strike of 3.6ka

Lightweight and RoHS Compliant

- Composite nickel-plated shells

High Speed Capability

- Enables data transmission of 100Mbps (1000 Base-T1)
- Up to 75% weight savings with single pair ethernet (SPE)
- Up to 10Gbs standard ethernet

Markets/Applications Served

Markets

- Commercial Aerospace
- Helicopter
- Drones and UAVs
- Military Ground Vehicles
- Mass Transit

Applications

- Lighting
- On-Board Entertainment
- Seat Wiring and Actuators
- Galley
- Soldier Systems

Shielded Rectangular Connectors

Performance Characteristics

ELECTRICAL

- **Dielectric Withstanding Voltage:** 1500 V_{rms} mated, <2 mA leakage
- **Operating Current:** 5 A to 7.5 A
- **Insulation Resistance:** ≥5000 MΩ initial
- **EMI Shielding Effectiveness:**

65dB @ 150MHz	55dB @ 400MHz
60dB @ 200MHz	45dB @ 800MHz
55dB @ 300MHz	43dB @ 1GHz
- Lightning strike
- 3.6kA per EIA-364, Test procedure 75, Type B, Level 1

MECHANICAL

- **Operating Temperature:** -55°C to +175°C
- **Fluid Resistance:** EN2591-315
- **IP Rating:** IP67
- **Altitude/Humidity:** EN2591-314 7.24kPa/60k ft
- **Vibration:** EN2591-403, Method B, Level E, 8 hr/axis
- **Shock:** EN2591-402, Method A, Severity 100
- **Smoke and Toxicity:** FAR 25.853, Appendix F; ABD0031
- **Flammability:** FAR 25.853, Appendix F; EN2591-317

MATERIALS

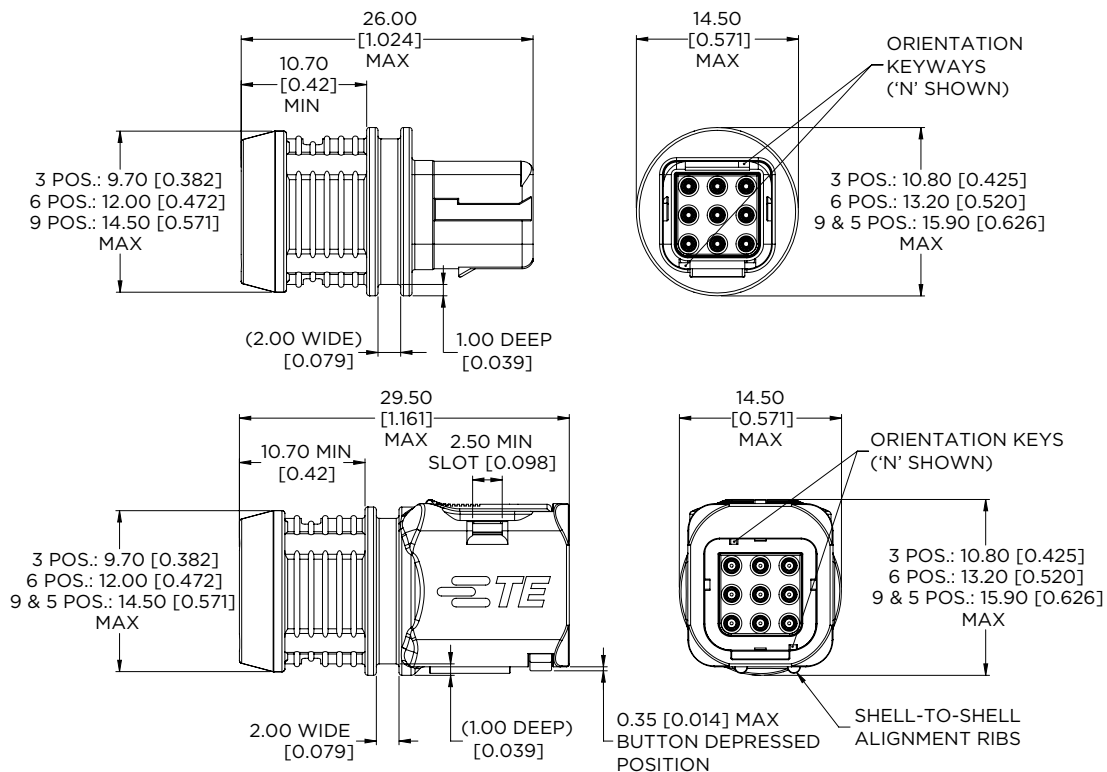
- **Body and Insert:** Composite thermoplastic
- **Contacts:** Copper alloy, gold plated
- **Seals and Panel Gasket:** Fluorosilicone rubber
- Designed to meet the requirements of RoHS
- **Plating:** RoHS nickel over copper

ADDITIONAL KEY REQUIREMENTS

- **Recommended TE molded boot (size 9) P/N:** EP5130-000
- **Recommended TE molded boot (size 3 & 6) P/N:** EP5126-000
- **Recommended TE bandstrap P/N:** BND-0812S

Plug		
Shell Size	Mass	
	Pin Insert	Socket Insert
3	3.40 g [0.120 oz]	3.50 g [0.124 oz]
6	3.90 g [0.138 oz]	4.10 g [0.145 oz]
9	4.50 g [0.159 oz]	4.70 g [0.166 oz]

Receptacle		
Shell Size	Mass	
	Pin Insert	Socket Insert
3	2.50 g [0.089 oz]	2.50 g [0.089 oz]
6	2.90 g [0.103 oz]	2.80 g [0.099 oz]
9	3.50 g [0.124 oz]	3.40 g [0.120 oz]



For part numbers, please see page 22.

Shielded PCB/Panel-Mount Connectors



EASY TO INSTALL

- No fasteners
- Simple push/pull mating

VERSATILE

- Compatible with existing 369 connector series
- Easily removed for maintenance
- Meets ARINC 854 ethernet over single twisted pair (100Base-T1)
- MIL-DTL-38999 levels of performance

SPACE SAVING

- Compact design
- Tight mounting pitch of multiple connectors
- No additional space required for fasteners

WEIGHT SAVING

- Composite nickel plated shells
- No additional fasteners required

RUGGED

- Low smoke, toxicity and flammability
- Excellent temperature, vibration and fluid resistance
- Triple barrier wire seals
- Cork-in-bottle interface seal

CONVENIENT

- Standard braid termination and boots
- Uses AS39029 size 22 contacts
- Straight and tin dipped contact options available
- Conductive gasket
- Lockout with simple zip tie

ENVIRONMENTALLY FRIENDLY

- Low smoke, toxicity and flammability

RELIABLE

- Positive button latching mechanism with audible click
- 100% scoop proof and allows blindmating

Description

TE Connectivity (TE)'s new 369 shielded pcb connector brings an enhanced product extension to the current 369 connector family where ambient EMI noise protection is required.

Markets/Applications Served

Markets

- Commercial Aerospace
- Helicopter
- Drones and UAVs
- Military Ground Vehicles
- Mass Transit

Applications

- Lighting
- On-Board Entertainment
- Seat Wiring and Actuators
- Galley

Performance Characteristics

ELECTRICAL

- **Dielectric Withstanding Voltage:** 1500 V_{rms} mated, <2 mA leakage
- **Operating Current:** 5 A
- **Insulation Resistance:** ≥5000 MΩ initial
- **EMI Shielding Effectiveness:**

65dB @ 150MHz	55dB @ 400MHz
60dB @ 200MHz	45dB @ 800MHz
55dB @ 300MHz	43dB @ 1GHz
- Lightning strike
- 3.6kA per EIA-364, Test procedure 75, Type B, Level 1

MECHANICAL

- **Operating Temperature:** -55°C to +175°C
- **Fluid Resistance:** EN2591-315
- **IP Rating:** IP67
- **Vibration:** EN2591-403, Method B, Level E, 8 hr/axis
- **Shock:** EN2591-402, Method A, Severity 100
- **Smoke and Toxicity:** FAR 25.853, Appendix F; ABD0031
- **Flammability:** FAR 25.853, Appendix F; EN2591-317

Shielded PCB/Panel-Mount Connectors

MATERIALS

- **Body and Insert:** Thermoplastic
- **Contacts:** Copper alloy /gold plated
- **Seals and Panel Gasket:** Silicone/fluorosilicone
- Designed to meet the requirements of RoHS
- **Plating:** Electroless nickel plating

ADDITIONAL KEY REQUIREMENTS

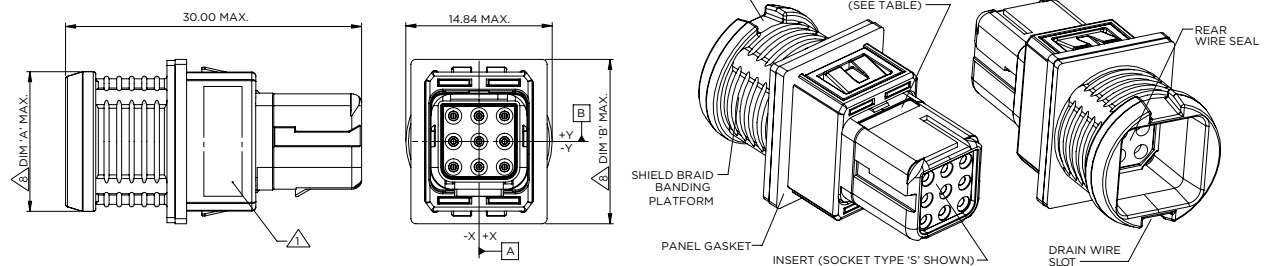
- **Recommended TE Ziptie Boot (Size 9) P/N:**
EP5130-000
- **Recommended TE Ziptie Boot (Size 3 and 6) P/N:**
EP5126-000
- **Recommended TE Bandstrap P/N:** BND-0812S

Product Offering: Shielded Panel Receptacle

Part Number	Mating Part Number	Description
YD369-MB33-NS10000	YD369-MP33-NP10000	369 SHIELDED 3 WAY PANEL REC, CRIMP, SKT
YD369-MB66-NS10000	YD369-MP66-NP10000	369 SHIELDED 6 WAY PANEL REC, CRIMP, SKT
YD369-MB99-NS10000	YD369-MP99-NP10000	369 SHIELDED 9 WAY PANEL REC, CRIMP, SKT

Dimensions

Part Number	Dimension 'A'	Dimension 'B'
D369-MB33-***	9.33	11.34
D369-MB66-***	11.75	13.88
D369-MB99-***	14.18	16.42

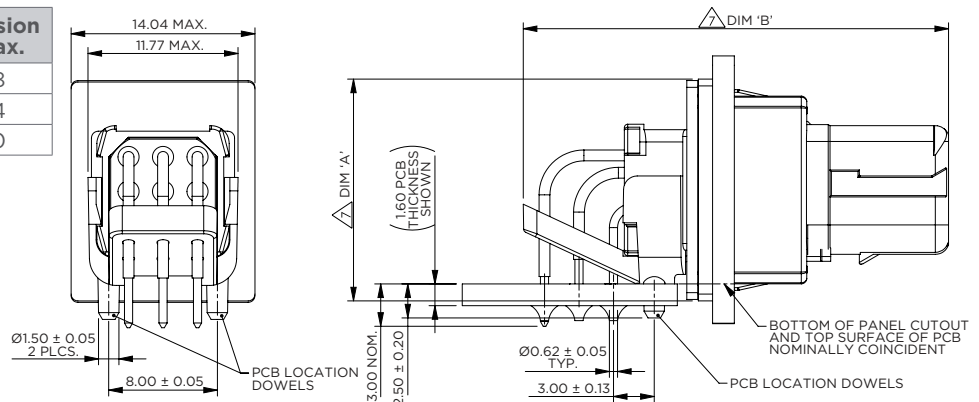


Product Offering: Shielded Panel PCB Receptacle

Part Number	Mating Part Number	Description
YD369-MB33-NS40000	YD369-MP33-NP10000	369 SHIELDED 3 WAY PNL REC, 90 PCB AU, SKT
YD369-MB66-NS40000	YD369-MP66-NP10000	369 SHIELDED 6 WAY PNL REC, 90 PCB AU, SKT
YD369-MB99-NS40000	YD369-MP99-NP10000	369 SHIELDED 9 WAY PNL REC, 90 PCB AU, SKT

Dimensions

Shell Size	Dimension 'A' Max.	Dimension 'B' Max.
3	9.23	26.8
6	11.77	29.4
9	14.31	32.0



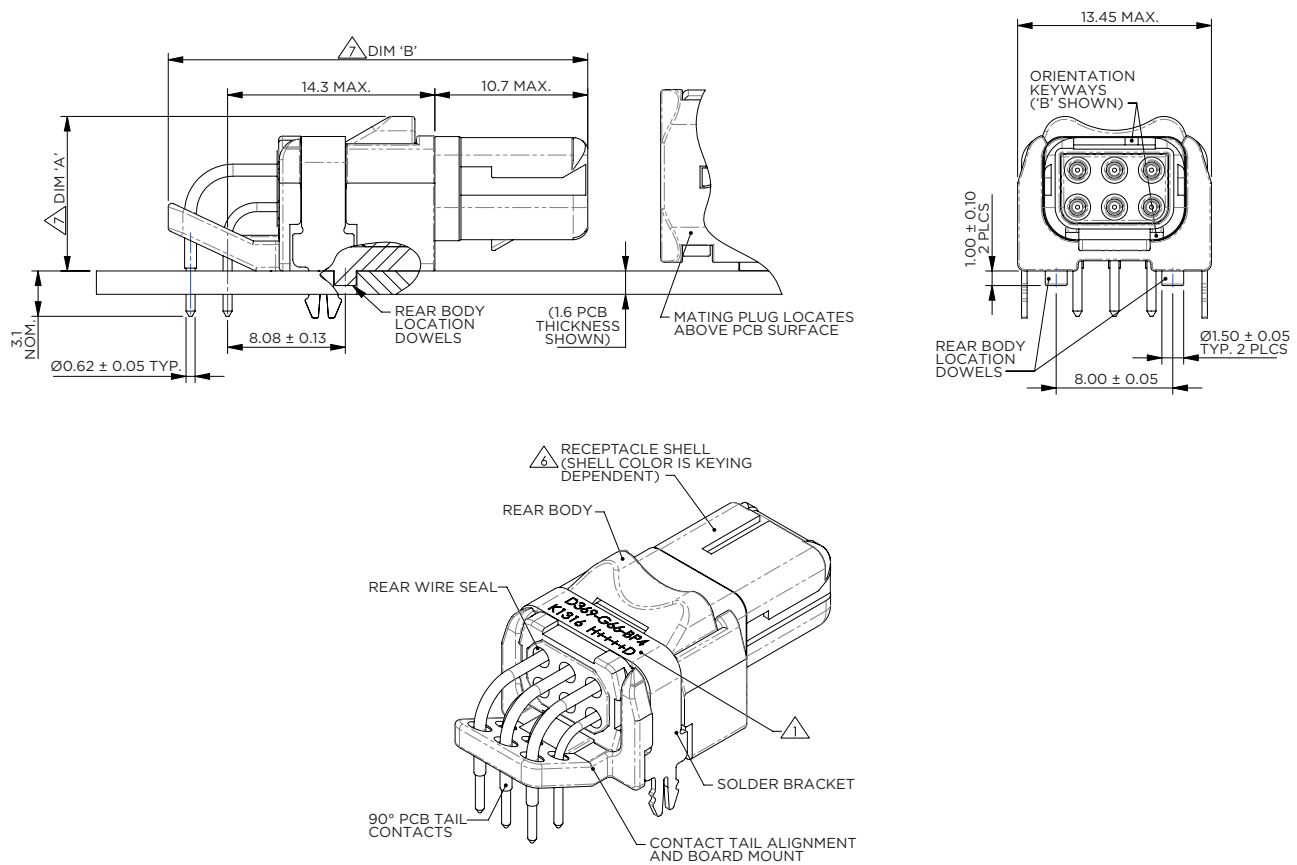
Shielded PCB/Panel-Mount Connectors

Product Offering: Shielded PCB Receptacle

Part Number	Mating Part Number	Description
YD369-MG33-NS40000	YD369-MP33-NP10000	369 SHIELDED 3 WAY PCB REC, 90 PCB AU, SKT
YD369-MG66-NS40000	YD369-MP66-NP10000	369 SHIELDED 6 WAY PCB REC, 90 PCB AU, SKT
YD369-MG99-NS40000	YD369-MP99-NP10000	369 SHIELDED 9 WAY PCB REC, 90 PCB AU, SKT

Dimensions

Shell Size	Dimension 'A' Max.	Dimension 'B' Max.
3	8.4	26.6
6	10.9	29.1
9	13.4	31.6



Shielded PCB/Panel-Mount Connectors

Single Pair Ethernet Cable



TE Description	TE Part Number	Temperature Range (°C)	Jacket OD (in/mm), Nom.	ARINC 854 Connector Compatibility	Molded Boot Compatibility
0024B8424-9	EP3169-000	-65°C to +150°C	0.161 (4.089)	MP33-NP10000	202D971-4/86-0
0026G8424-9	EP3166-000	-65°C to +150°C	0.135 (3.429)	MP33-NP10000	202D971-4/86-0

Additional constructions and custom designs available upon request - please contact your local account representative for questions

Recommended TE Bandstrap Part Number: BND-0812S

Complete System Solutions



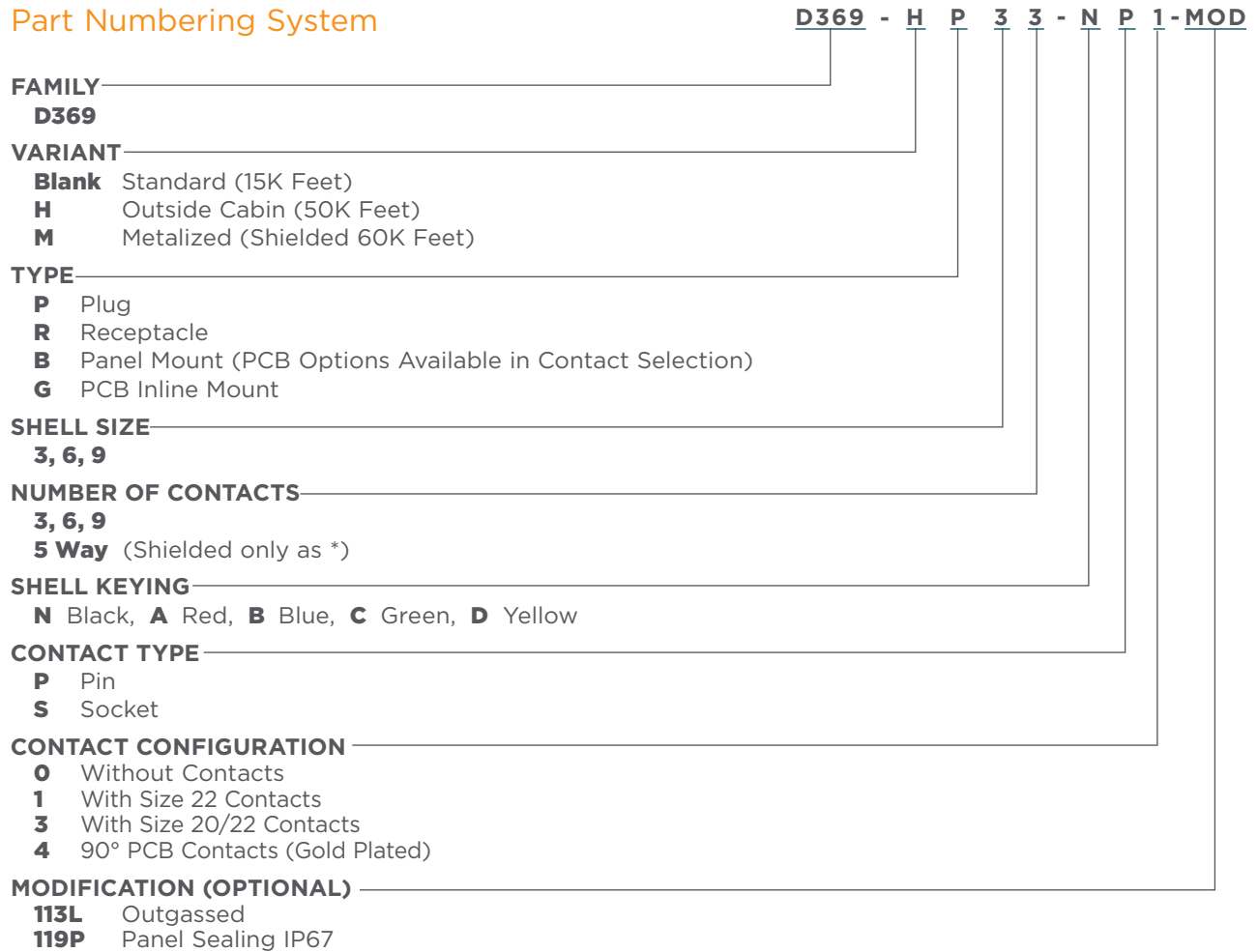
Molded Parts

- Molded part shape designed specifically for use with 369 connector and single-pair ethernet cable
- Flexible polyolefin (-4) material provides strain relief, environmental sealing, and abrasion resistance
- High temperature adhesive (/86) for bonding with cable jacket or heat shrink tubing
- Low profile design and 2:1 heat shrink ratio for ease of installation

Series	TE Part Number	
Size 9 Ziptie Boot	202D972-4/86-0	EP5130-000
Size 6/3 Ziptie Boot	202D971-4/86-0	EP5126-000

369 Series Connectors

Part Numbering System




*When selecting a mated pair, ensure a plug to receptacle and pin to socket selection are both made

*All panel and PCB products are receptacle configuration

369 Series Connectors

Accessories

Crimp Contacts



Contact Size	Wire Range	Type	TE	Mil-Spec/EN Spec	BACC	Sealing Plug
22	26 - 22 AWG	Pin	38941-22L	M39029/58-360	BACC47GC	028-0102-22
		Socket	38946-22L	M39029/57-354		
20/22 Enlarged Crimp Barrel	24 - 20 AWG	Pin	182-0860-22	EN3155-070M2220		
		Socket	182-0862-22	EN3155-071F2220		

50 micro inches of gold over a layer of nickel over these copper alloy contacts (material)

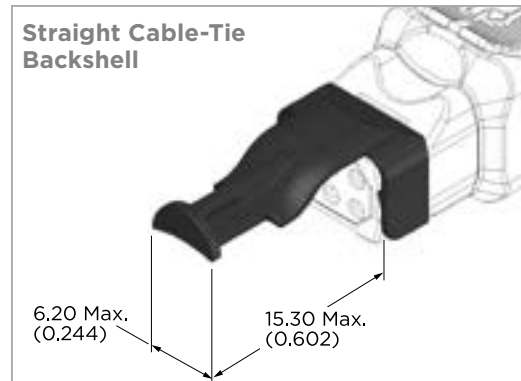
Tooling



Insertion/Extraction Tool M81969/14-01	Crimp Tool M22520/2-01 TE Part No. 601966-1	Crimp Positioners	
		Pin Contact M22520/2-09 TE Part No. 601966-6	Socket Contact M22520/2-06 TE Part No. 601966-4

Cavity Identification

(Plug or Receptacle. Viewed from Rear of Connector)



Shell Size	Strain Relief/Backshell
3	D369-STB-3
6	D369-STB-6
9	D369-STB-9



Tooling

Connector panel-extraction tool: **Part No. 612184-369**

369 Series Connectors



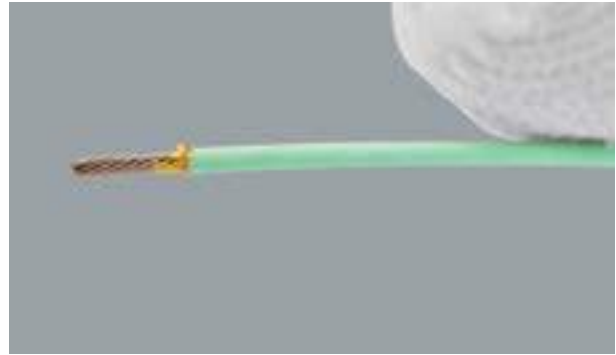
369 Connectors Can Be Easily Secured with Cable Ties, Eliminating the Need for Additional Hardware or Cutouts

369 Series Connectors

Contact Crimping



Use a crimping tool with the appropriate pilot stop.



Strip the insulation from the copper wire, with 5 mm maximum strip length. (For aluminum wire, consult TE.)



Insert the contact into the crimping tool.



Insert the wire into the contact.



Tighten the crimping tool fully. The handles will not release until the tool is fully bottomed.



Remove and inspect the completed termination. The contact must have 8 markings, and the wire must be seen in the contact side hole.

For the use of a shielded version, do not forget to slide the cables in the chimney before crimping the contacts.

369 Series Connectors

Common Part Numbers

No. of Positions	Housing Type	Insert	Part No.		BACC Equivalent
			With Contacts	Without Contacts	
STANDARD (Inside Cabin)					
3	Plug	Pin	D369-P33-NP1	D369-P33-NP0	—
		Socket	D369-P33-NS1	D369-P33-NS0	—
	Receptacle	Pin	D369-R33-NP1	D369-R33-NP0	—
		Socket	D369-R33-NS1	D369-R33-NS0	—
6	Plug	Pin	D369-P66-NP1	D369-P66-NP0	—
		Socket	D369-P66-NS1	D369-P66-NS0	—
	Receptacle	Pin	D369-R66-NP1	D369-R66-NP0	—
		Socket	D369-R66-NS1	D369-R66-NS0	—
9	Plug	Pin	D369-P99-NP1	D369-P99-NP0	—
		Socket	D369-P99-NS1	D369-P99-NS0	—
	Receptacle	Pin	D369-R99-NP1	D369-R99-NP0	—
		Socket	D369-R99-NS1	D369-R99-NS0	—

HARSH (Outside Cabin)			With Contacts	Without Contacts	BACC Equivalent
3	Plug	Pin	D369-HP33-NP1	D369-HP33-NP0	BACC65 CP 1PN
		Socket	D369-HP33-NS1	D369-HP33-NS0	BACC65 CP 1SN
	Receptacle	Pin	D369-HR33-NP1	D369-HR33-NP0	BACC65 CR 1PN
		Socket	D369-HR33-NS1	D369-HR33-NS0	BACC65 CR 1SN
6	Plug	Pin	D369-HP66-NP1	D369-HP66-NP0	BACC65 CP 2PN
		Socket	D369-HP66-NS1	D369-HP66-NS0	BACC65 CP 2SN
	Receptacle	Pin	D369-HR66-NP1	D369-HR66-NP0	BACC65 CR 2PN
		Socket	D369-HR66-NS1	D369-HR66-NS0	BACC65 CR 2SN
9	Plug	Pin	D369-HP99-NP1	D369-HP99-NP0	BACC65 CP 3PN
		Socket	D369-HP99-NS1	D369-HP99-NS0	BACC65 CP 3SN
	Receptacle	Pin	D369-HR99-NP1	D369-HR99-NP0	BACC65 CR 3PN
		Socket	D369-HR99-NS1	D369-HR99-NS0	BACC65 CR 3SN

PANEL-MOUNT			With Contacts	Crimp Contacts	90° PCB Contacts
3	Receptacle	Pin	D369-B33-NP0	D369-B33-NP1	D369-B33-NP4
		Socket	D369-B33-NS0	D369-B33-NS1	D369-B33-NS4
6	Receptacle	Pin	D369-B66-NP0	D369-B66-NP1	D369-B66-NP4
		Socket	D369-B66-NS0	D369-B66-NS1	D369-B55-NS4
9	Receptacle	Pin	D369-B99-NP0	D369-B99-NP1	D369-B99-NP4
		Socket	D369-B99-NS0	D369-B99-NS1	D369-B99-NS4

369 Series Connectors

Common Part Numbers (continued)

TE Part Number	Catalog Part Number	Description	Mating Part Number
SEALED PANEL-MOUNT			
YD369-B33-NS1-119P	D369-B33-NS1-119P	3 Way Sealed Panel	D369-P33-NP1
YD369-B66-NS1-119P	D369-B66-NS1-119P	6 Way Sealed Panel	D369-P66-NP1
YD369-B99-NS1-119P	D369-B99-NS1-119P	9 Way Sealed Panel	D369-P99-NP1
YD369-B33-NS4-119P	D369-B33-NS4-119P	3 Way Sealed Panel PCB	D369-P33-NP1
YD369-B66-NS4-119P	D369-B66-NS4-119P	6 Way Sealed Panel PCB	D369-P66-NP1
YD369-B99-NS4-119P	D369-B99-NS4-119P	9 Way Sealed Panel PCB	D369-P99-NP1

No. of Positions	Housing Type	Insert	With Contacts
PCB-MOUNT			
			90° PCB Contacts
3	Receptacle	Pin	D369-G33-NP4
		Socket	D369-G33-NS4
6	Receptacle	Pin	D369-G66-NP4
		Socket	D369-G66-NS4
9	Receptacle	Pin	D369-G99-NP4
		Socket	D369-G99-NS4

No. of Positions	Housing Type	Insert	With Contacts	No Contacts
SHIELDED RECTANGULAR				
3	Plug	Pin	D369-MP33-NP1	D369-MP33-NP0
		Socket	D369-MP33-NS1	D369-MP33-NS0
	Receptacle	Pin	D369-MR33-NP1	D369-MR33-NP0
		Socket	D369-MR33-NS1	D369-MR33-NS0
6	Plug	Pin	D369-MP66-NP1	D369-MP66-NP0
		Socket	D369-MP66-NS1	D369-MP66-NS0
	Receptacle	Pin	D369-MR66-NP1	D369-MR66-NP0
		Socket	D369-MR66-NS1	D369-MR66-NS0
9	Plug	Pin	D369-MP99-NP1	D369-MP99-NP0
		Socket	D369-MP99-NS1	D369-MP99-NS0
	Receptacle	Pin	D369-MR99-NP1	D369-MR99-NP0
		Socket	D369-MR99-NS1	D369-MR99-NS0

Empower Engineers to Solve Problems, Moving the World Forward.

AMP | AGASTAT | CII | DEUTSCH | DRI | HARTMAN | KILOVAC
MICRODOT | NANONICS | POLAMCO | Raychem | SEACON

CONNECT WITH US

We make it easy to connect with our experts and are ready to provide all the support you need. Visit te.com/support to chat with a Product Information Specialist.

QUALITY STARTS WITH THE RIGHT APPLICATION TOOLING

Creating a quality crimp connection is essential to delivering high performance and reliability in extreme environments. From low to high volume wire processing, TE has you covered with a full range of application tooling and a global field service team.

- [View all application tooling](#)
- [Connect with our experts to find the right tool for your application](#)

te.com/369

369, AMP, AGASTAT, CII, DEUTSCH, DRI, HARTMAN, KILOVAC, MICRODOT, NANONICS, POLAMCO, Raychem, SEACON, TE, TE Connectivity, and TE connectivity (logo) are trademarks owned or licensed by TE Connectivity. All other logos, products and/or company names referred to herein might be trademarks of their respective owners.

The information given herein, including drawings, illustrations and schematics which are intended for illustration purposes only, is believed to be reliable. However, TE Connectivity makes no warranties as to its accuracy or completeness and disclaims any liability in connection with its use. TE Connectivity's obligations shall only be as set forth in TE Connectivity's Standard Terms and Conditions of Sale for this product and in no case will TE Connectivity be liable for any incidental, indirect or consequential damages arising out of the sale, resale, use or misuse of the product. Users of TE Connectivity products should make their own evaluation to determine the suitability of each such product for the specific application.

© 2022 TE Connectivity All Rights Reserved.

1-1773704-7 11/22

369 SERIES CONNECTORS

TE Connectivity
Aerospace, Defense & Marine
2900 Fulling Mill Road
Middletown, PA 17057