

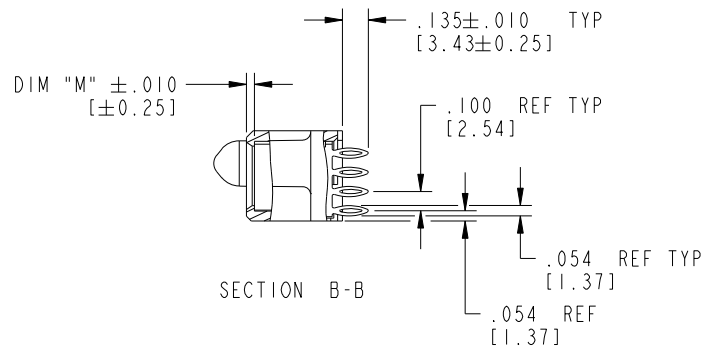
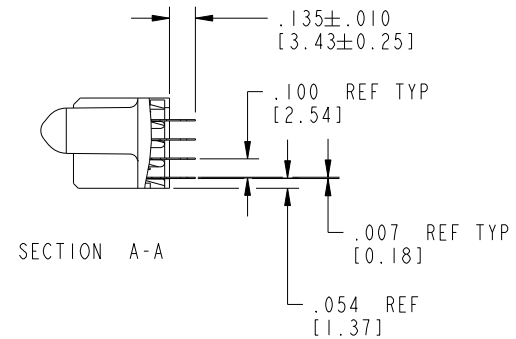
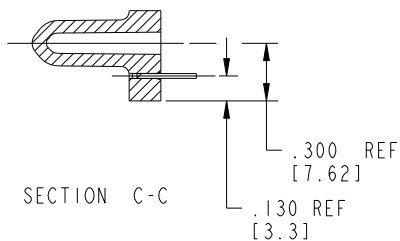
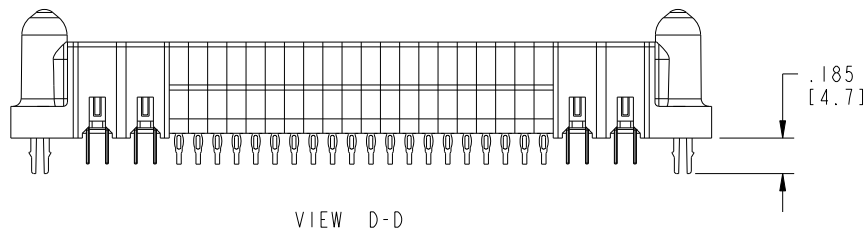


Tous droits strictement réservés. Reproduction ou communication a des tiers interdite sous quelque forme que ce soit sans autorisation écrite du propriétaire. Propriete de c FCI. Droits de reproduction FCI.

All rights strictly reserved. Reproduction or issue to third parties in any form whatever is not permitted without written authority from the proprietor. Property of FCI. Copyright FCI.



PRODUCT NUMBER  
51750-052\_\_



|             |                |            |      |                                       |                        |             |                               |                        |       |
|-------------|----------------|------------|------|---------------------------------------|------------------------|-------------|-------------------------------|------------------------|-------|
| mat'l code  |                | SEE NOTE 2 |      | tolerances unless otherwise specified |                        | CUSTOMER    |                               | <br>www.fciconnect.com |       |
| lfr         | ecn no.        | dr         | date | linear                                | .XX±.01/0.X±0.3        | projection  | title                         |                        |       |
| B           |                |            |      |                                       | .XX±.005/0.XX±0.13     | <br>INCH/MM | 2P + 80S + 2P                 |                        |       |
|             |                |            |      | angles                                | .XXX±.0020/0.XXX±0.051 |             | VERTICAL PRESS-FIT RECEPTACLE |                        |       |
|             |                |            |      | dr                                    | D. INGRAM 09/16/03     | scale       | product family                | PwrBlade               | code  |
|             |                |            |      | enrg                                  | M. MOSTOLLER 09/16/03  | 1:1         | size                          | dwg no                 | 213   |
|             |                |            |      | chr                                   | M. MOSTOLLER 09/16/03  |             | A                             | 51750-052              | sheet |
|             |                |            |      | appd                                  | M. MOSTOLLER 09/16/03  |             |                               |                        | 2     |
| sheet index | revision sheet |            |      |                                       |                        |             |                               |                        |       |

Pro/E

PDM: Rev: B

STATUS: Released

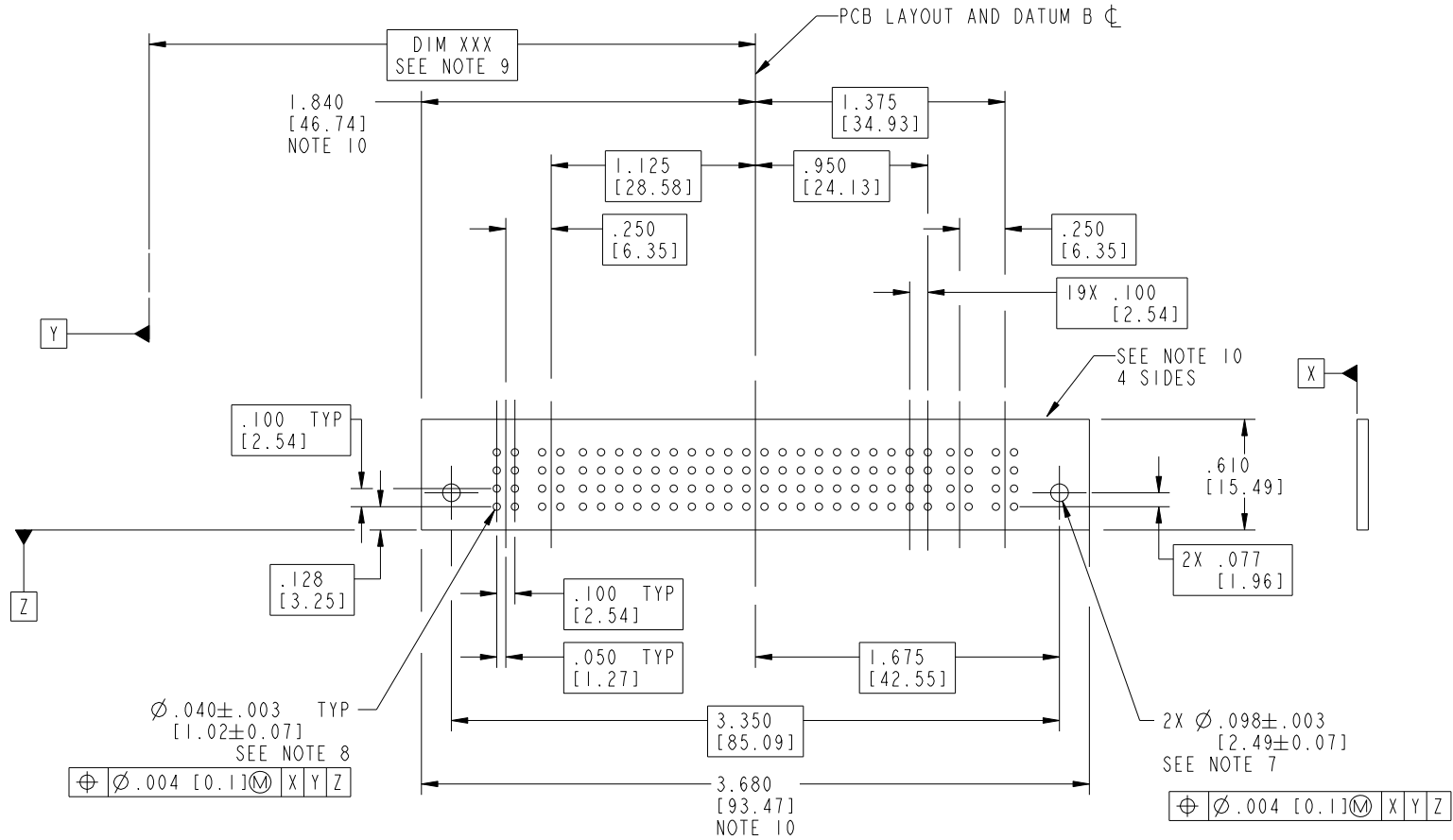
Printed: Dec 20, 2010

Tous droits strictement réservés. Reproduction ou communication a des tiers interdite sous quelque forme que ce soit sans autorisation écrite du propriétaire. Propriété de c FCI. Droits de reproduction FCI.



All rights strictly reserved. Reproduction or issue to third parties in any form whatever is not permitted without written authority from the proprietor. Property of FCI. Copyright FCI.

PRODUCT NUMBER  
51750-052\_\_



RECOMMENDED PCB LAYOUT

|             |                |            |      |                                       |                        |            |                               |                        |       |
|-------------|----------------|------------|------|---------------------------------------|------------------------|------------|-------------------------------|------------------------|-------|
| mat'l code  |                | SEE NOTE 2 |      | tolerances unless otherwise specified |                        | CUSTOMER   |                               | <br>www.fciconnect.com |       |
| lfr         | ecn no.        | dr         | date | linear                                | .XX±.01/0.X±0.3        | projection | title                         |                        |       |
| B           |                |            |      |                                       | .XXY±.005/0.XX±0.13    |            | 2P + 80S + 2P                 |                        |       |
|             |                |            |      | angles                                | .XXX±.0020/0.XXX±0.051 |            | VERTICAL PRESS-FIT RECEPTACLE |                        |       |
|             |                |            |      | dr                                    | D. INGRAM 09/16/03     | INCH/MM    | product family                |                        | code  |
|             |                |            |      | enrg                                  | M. MOSTOLLER 09/16/03  | 1:1        | PwrBlade                      |                        | 213   |
|             |                |            |      | chr                                   | M. MOSTOLLER 09/16/03  |            | size                          | dwg no                 | sheet |
|             |                |            |      | appd                                  | M. MOSTOLLER 09/16/03  |            | A                             | 51750-052              | 3     |
| sheet index | revision sheet |            |      |                                       |                        |            |                               |                        |       |

Pro/E

PDM: Rev: B

STATUS: Released

Printed: Dec 20, 2010

|                |
|----------------|
| PRODUCT NUMBER |
| 51750-052__    |

NOTES:

1. DIMENSIONS AND TOLERANCES ARE IN ACCORDANCE WITH ASME Y14.5M, 1994 UNLESS OTHERWISE SPECIFIED.

CONNECTOR NOTES:

② HOUSING MATERIAL: UL 94 V-0 GLASS FILLED HIGH-TEMP THERMOPLASTIC  
 POWER CONTACT MATERIAL: COPPER ALLOY  
 SIGNAL PIN MATERIAL: COPPER ALLOY

△ 3. SEE ITEM 7 & 8 IN PRINT 10064183 FOR PLATING SPEC OF 51750-052 AND 51750-052LF RESPECTIVELY.

④ MANUFACTURER'S NAME, P/N, AND DATE CODE TO APPEAR ON THIS SURFACE.  
 5. PRODUCT SPECIFICATION GS-12-149.

PCB NOTES:

⑥ ALL HOLE DIAMETERS ARE FINISHED HOLE SIZE.  
 ⑦ MOUNTING HOLES, WHERE APPLICABLE, ARE UNPLATED.  
 ⑧  $\varnothing .0453 \pm 0.0010$  [1.151  $\pm$  0.025] DRILLED HOLES PLATED WITH  
 0.0003 [0.008] MIN SnPb OVER .001 [0.03]  
 TO .003 [0.08] Cu PLATING TO ACHIEVE  
 $\varnothing .040 \pm .003$  [1.02  $\pm$  .07] HOLE.

⑨ "DIM XXX" TO BE DETERMINED BY THE CUSTOMER.

⑩ CONNECTOR KEEP-OUT ZONE.

11. A △ SYMBOL WILL BE NEXT TO ANY DIMENSION, VIEW, OR NOTE WHICH HAS BEEN MODIFIED WITH THE CURRENT DRAWING REVISION.

|             |                |            |      |                                       |                              |          |  |                               |  |
|-------------|----------------|------------|------|---------------------------------------|------------------------------|----------|--|-------------------------------|--|
| mat'l code  |                | SEE NOTE 2 |      | tolerances unless otherwise specified |                              | CUSTOMER |  | FCJ                           |  |
| ltr         | ecn no.        | dr         | date | linear                                | .XX ± .01 / 0.X ± 0.3        | COPY     |  | www.fciconnect.com            |  |
| B           |                |            |      | projection                            | .XXX ± .005 / 0.XX ± 0.13    | INCH/MM  |  | title                         |  |
|             |                |            |      | angles                                | .XXX ± .0020 / 0.XXX ± 0.051 | 1:1      |  | 2P + 80S + 2P                 |  |
|             |                |            |      | dr                                    | D. INGRAM 09/16/03           | scale    |  | VERTICAL PRESS-FIT RECEPTACLE |  |
|             |                |            |      | enrg                                  | M. MOSTOLLER 09/16/03        | A        |  | product family                |  |
|             |                |            |      | chr                                   | M. MOSTOLLER 09/16/03        | A        |  | PwrBlade                      |  |
|             |                |            |      | appd                                  | M. MOSTOLLER 09/16/03        | A        |  | code                          |  |
| sheet index | revision sheet |            |      |                                       |                              | A        |  | 213                           |  |
|             |                |            |      |                                       |                              | A        |  | sheet                         |  |
|             |                |            |      |                                       |                              | A        |  | 4                             |  |

Tous droits strictement réservés. Reproduction ou communication a des tiers interdite sous quelque forme que ce soit sans autorisation écrite du propriétaire. Propriété de c FCI. Droits de reproduction FCI.



All rights strictly reserved. Reproduction or issue to third parties in any form whatever is not permitted without written authority from the proprietor. Property of FCI. Copyright FCI.

A

A

B

B