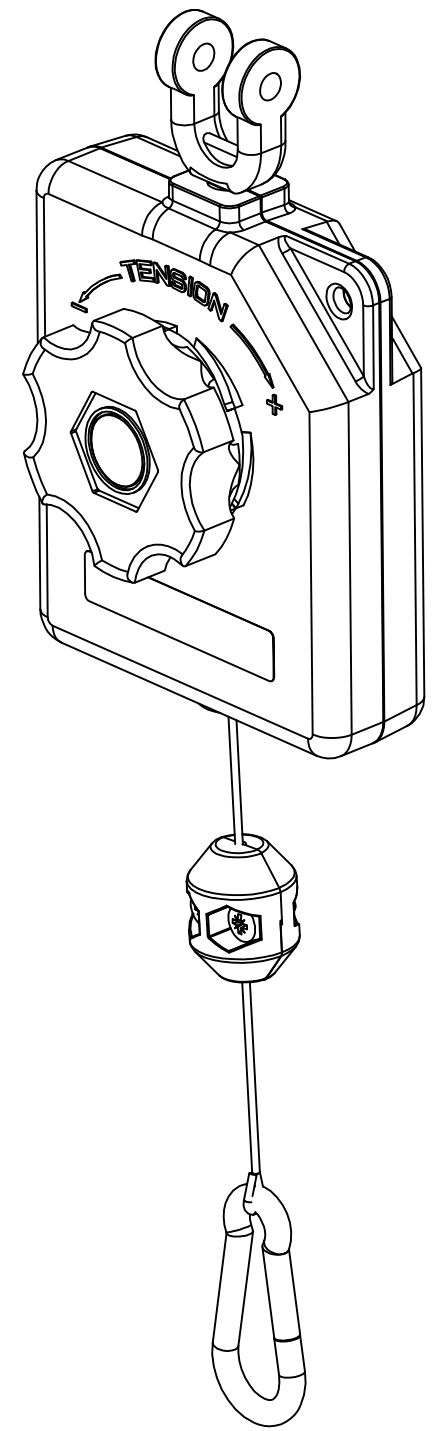
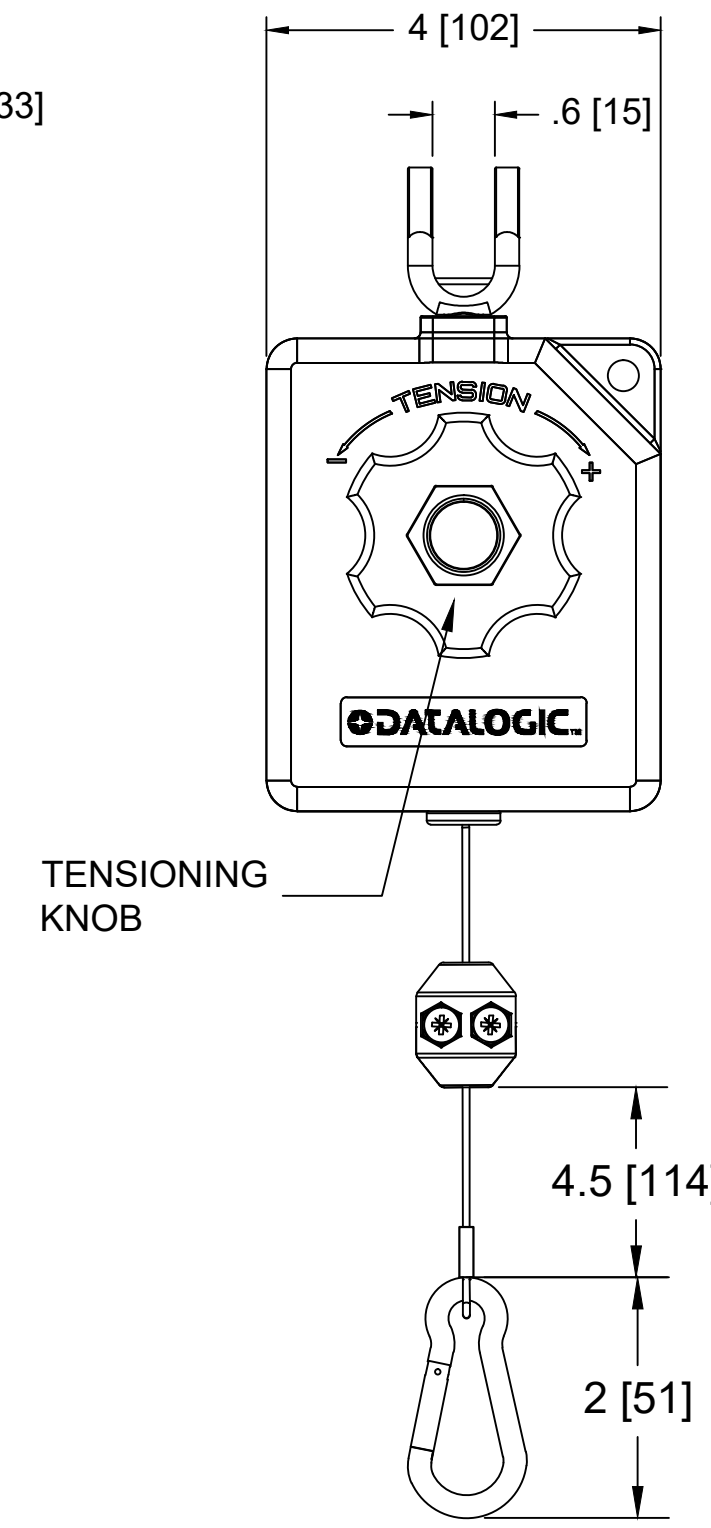
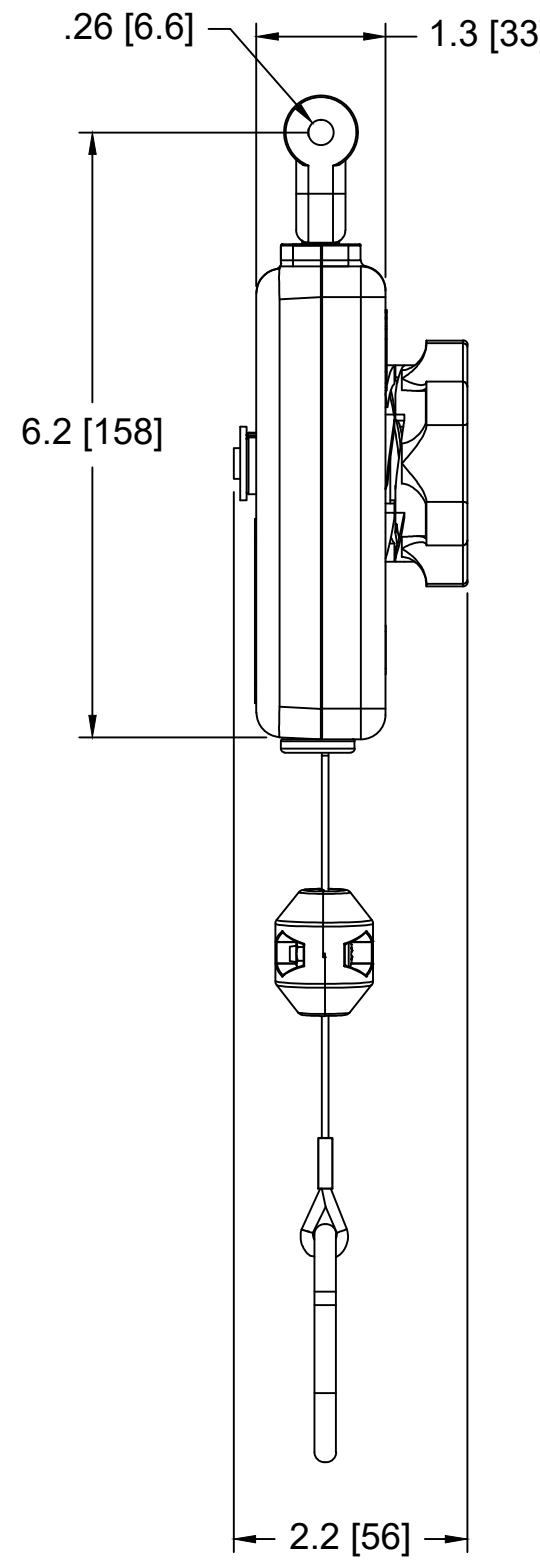
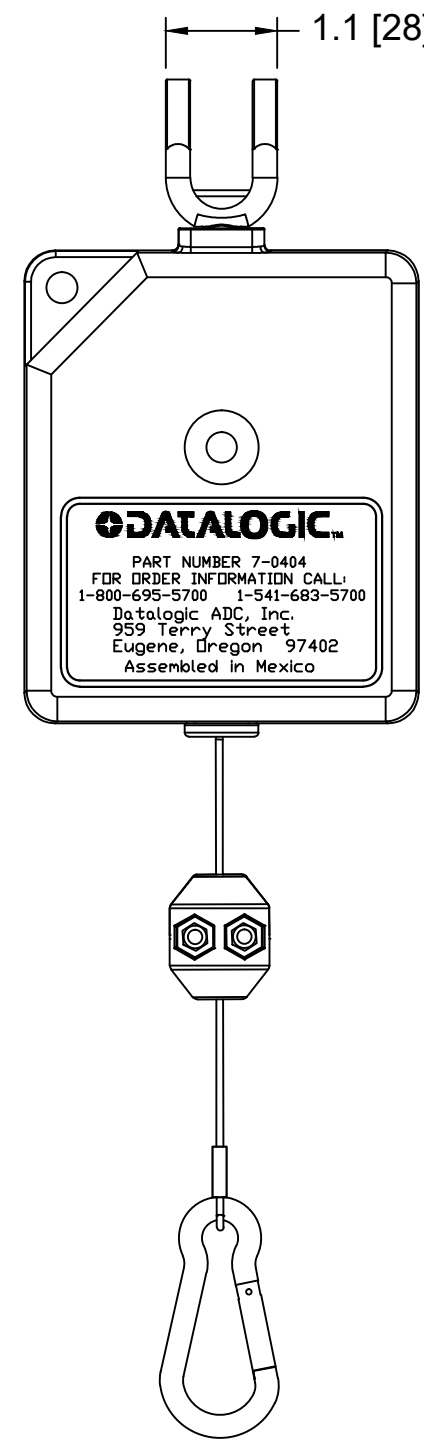


SHIPPING, PACKET AND LABELING
 THE REVISION ON THE LABELS WILL BE "E"

REFERENCES DATALOGIC STANDARD (DR6800001) "SUPPLIER PACKAGING" REVISION "U" AND "SUPPLIER SHIPMENT ROUTING INSTRUCTION" (DR4200286) REVISION "E".

NOTES:

1. RETRACTORS ARE 100% INSPECTED & PRE-TENSIONED AT FACTORY.
2. HOUSINGS ARE MADE OF GENERAL PURPOSE ABS TO MEET HARSH INDUSTRIAL ENVIRONMENTS.
3. ALWAYS READ INSTRUCTIONS MANUAL BEFORE USING RETRACTORS.
4. RETRACTORS ARE NOT TO BE USED AS BALANCERS THEIR MAIN PURPOSE BEING TO RETRACT A LOAD AND NOT TO BALANCE ONE.
5. OVERALL DIMENSIONS ARE FOR REFERENCE ONLY.
6. RETRACTORS COME WITH A CLEVIS PIN & A COTTER PIN
7. MANUFACTURE USING DATALOGIC ARTWORK DR1500101 AND DR1500102
8. RETRACTOR HOUSING FINISH: BLACK



INDIVIDUAL BOX LABEL 2X3



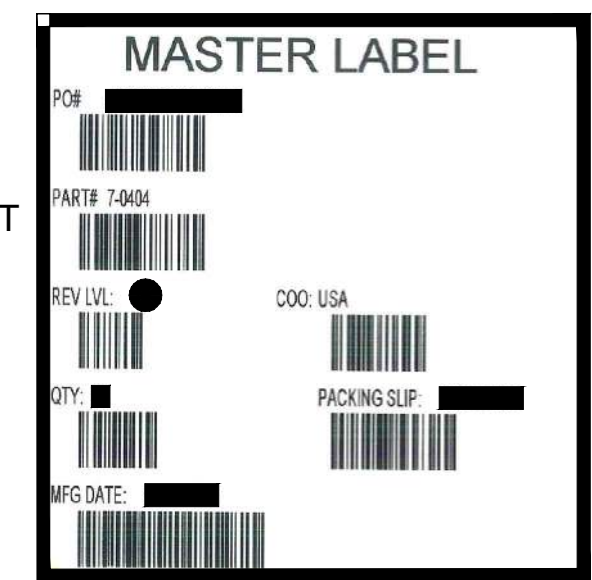
MASTER PACK BOX LABEL 4X4



MOLEX MASTER PACK BOX LABEL 2X3



SHIPPING/PALLET LABEL 4X4



ADD 2x3 MASTER PACK LABL EC NO: IPG2017-1071 DRWN: VOU 5/23/17 CH'KD: BPATTERS 2017/05/23 APPR: JFMURPHY 2011/06/08	QUALITY SYMBOL	GENERAL TOLERANCES (UNLESS SPECIFIED)		DIMENSION STYLE INCH		SCALE NTS	DESIGN UNITS INCH	THIRD ANGLE PROJECTION	
	▽=0	4 PLACES	±---	±---	DRAWN BY DATE	TITLE	RB2 BALANCER DATALOGIC SCANNING RB2DLS		
	▽C=0	3 PLACES	±---	±.005	MCHOJECK 2011/05/24				
		2 PLACES	±---	±.010	CHECKED BY DATE	DT 2011/05/24			
		1 PLACE	±---	±.020	APPROVED BY DATE	DTITUS 2011/06/08	MOLEX INCORPORATED		
		ANGULAR ±1/2°		MATERIAL NO.	1301730082	DOCUMENT NO.	RSD-130173-082	SHEET NO.	1 OF 1
		DRAFT WHERE APPLICABLE MUST REMAIN WITHIN DIMENSIONS		SIZE C	THIS DRAWING CONTAINS INFORMATION THAT IS PROPRIETARY TO MOLEX INCORPORATED AND SHOULD NOT BE USED WITHOUT WRITTEN PERMISSION				