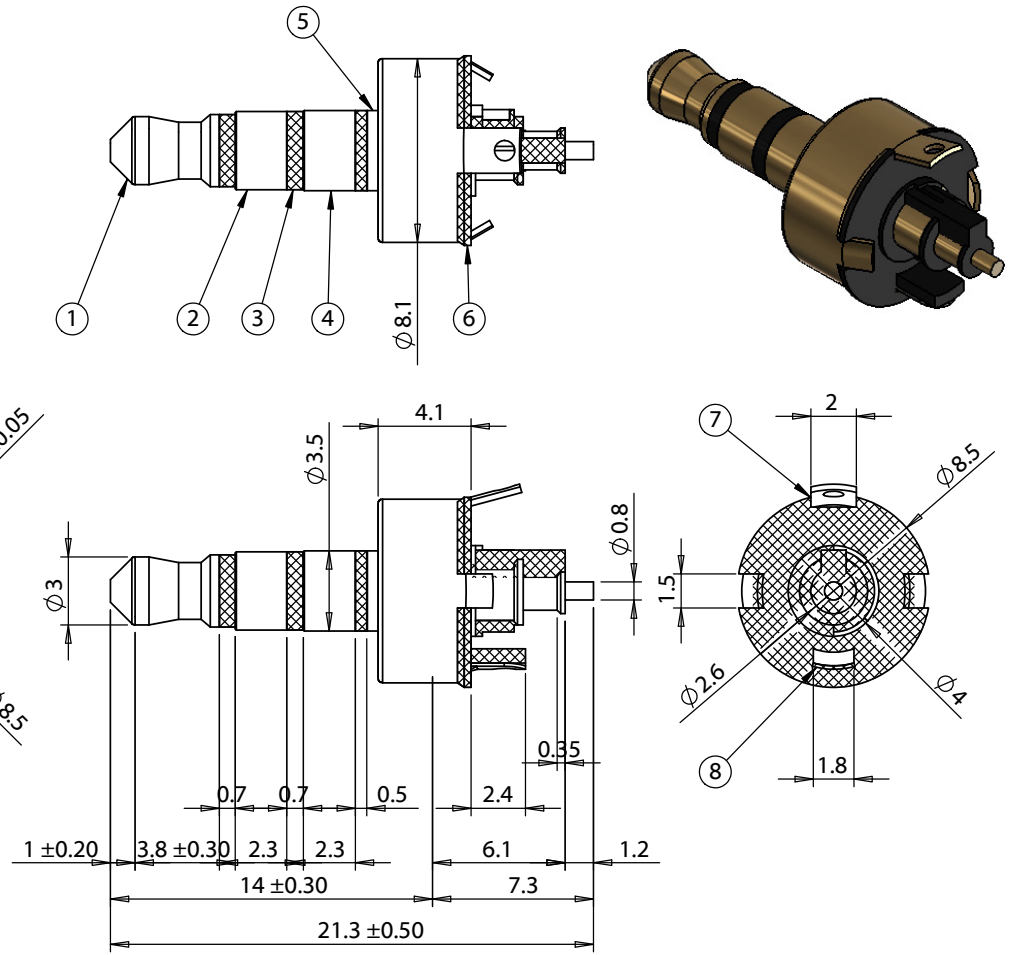


Materials

- 1. Tip, brass, 0.03 microns gold plating
- 2. Ring 1, brass, 0.03 microns gold plating
- 3. Insulator, POM, black
- 4. Ring 2, brass, 0.03 microns gold plating
- 5. Shell, brass, 0.03 microns gold plating
- 6. Insulator, POM, black
- 7. Outer Ring, brass, 0.03 microns gold plating
- 8. Inner Ring, brass, 2 micron nickel plating



REVISION	DATE	DESCRIPTION
A	5/11/2009	Initial release
A1	8/6/2013	revised spec to show correct plating
A2	5/14/2015	revised part tooling, changed plating thickness

PREPARED: JM 2015.05.15 10:27:55 -07'00'	VERIFIED: AG 2015.05.15 10:51:18 -07'00'
DIMENSIONS ARE IN MILLIMETERS	
TOLERANCES: X: ± 0.5 mm X.X: ± 0.3 mm X.XX: ± 0.05 mm	

NOTES
 RoHS and REACH compliant
 Function test: no open, no short circuit, no INT

DESCRIPTION:
 Connector, 6C double rings audio plug, 3.5xL26.6 mm, brass Au plated, molding style

TENSILITY

20802 Sockeye Place #130
 Bend, OR 97701 USA
 tel 541.323.3228 fax 541.323.4202
 800 877.670.7118 www.tensility.com

SIZE A	PART NUMBER 50-0009	
	SCALE: 5:1	WEIGHT:
		SHEET 1 OF 1