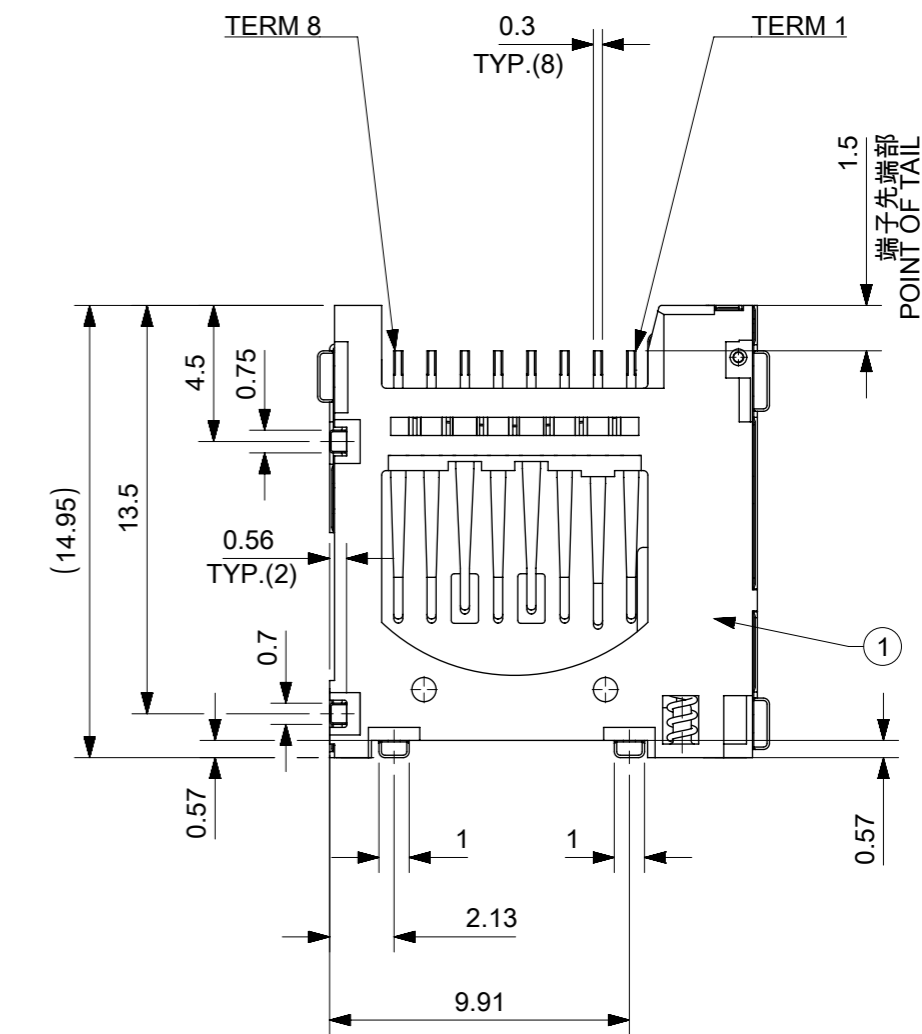
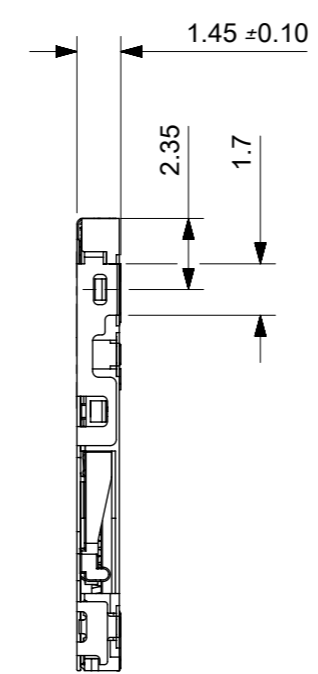
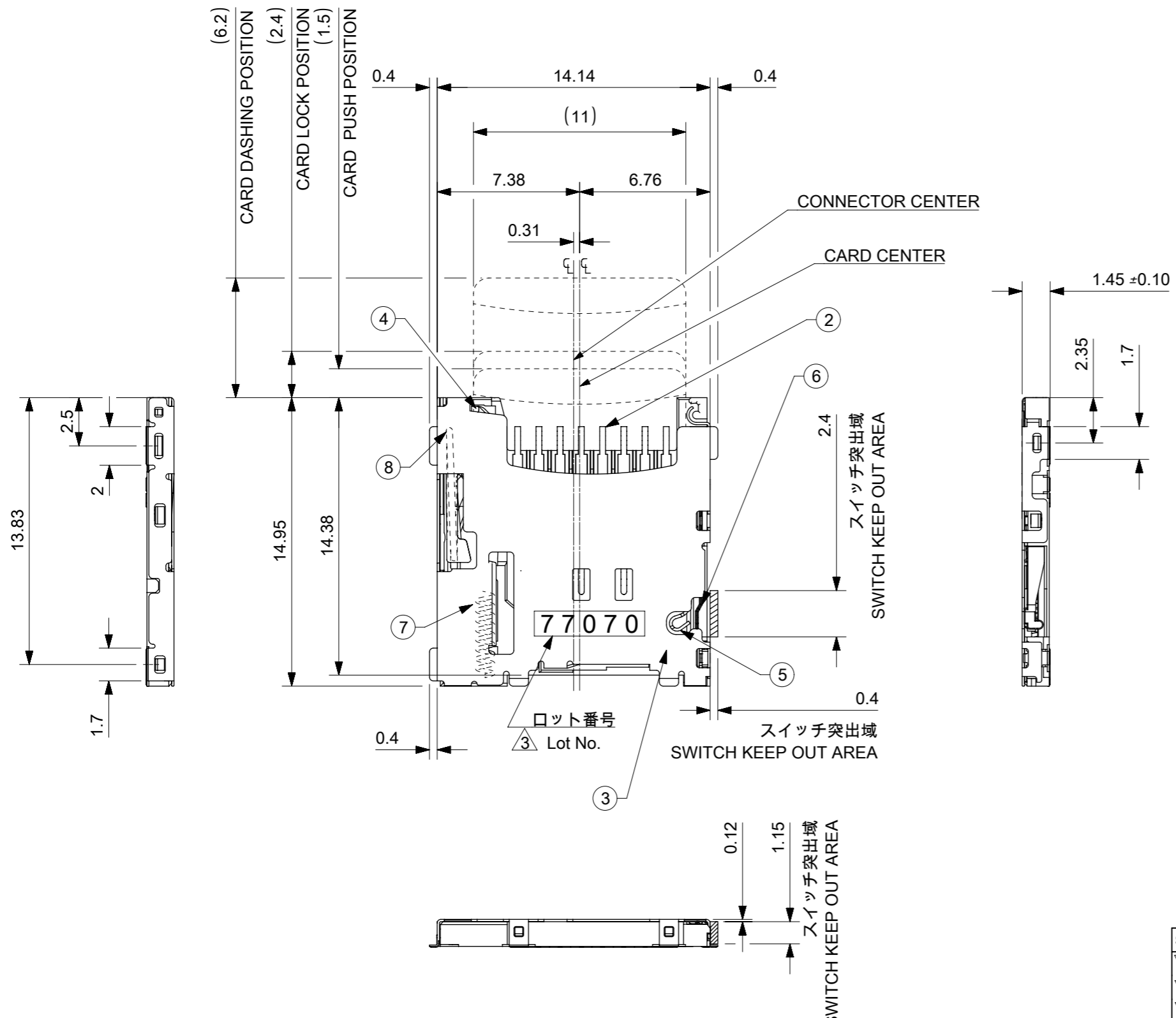


TERM 1: DATA 2  
 TERM 2: CD/DAT 3  
 TERM 3: CMD  
 TERM 4: vdd  
 TERM 5: CLK  
 TERM 6: Vss  
 TERM 7: DAT0  
 TERM 8: DAT1



503182-1852	8
EMBOSSSED TAPE	極数
ORDER No. オーダー番号	CIRCUITS
CONNECTOR SERIES No. 503182-**42	

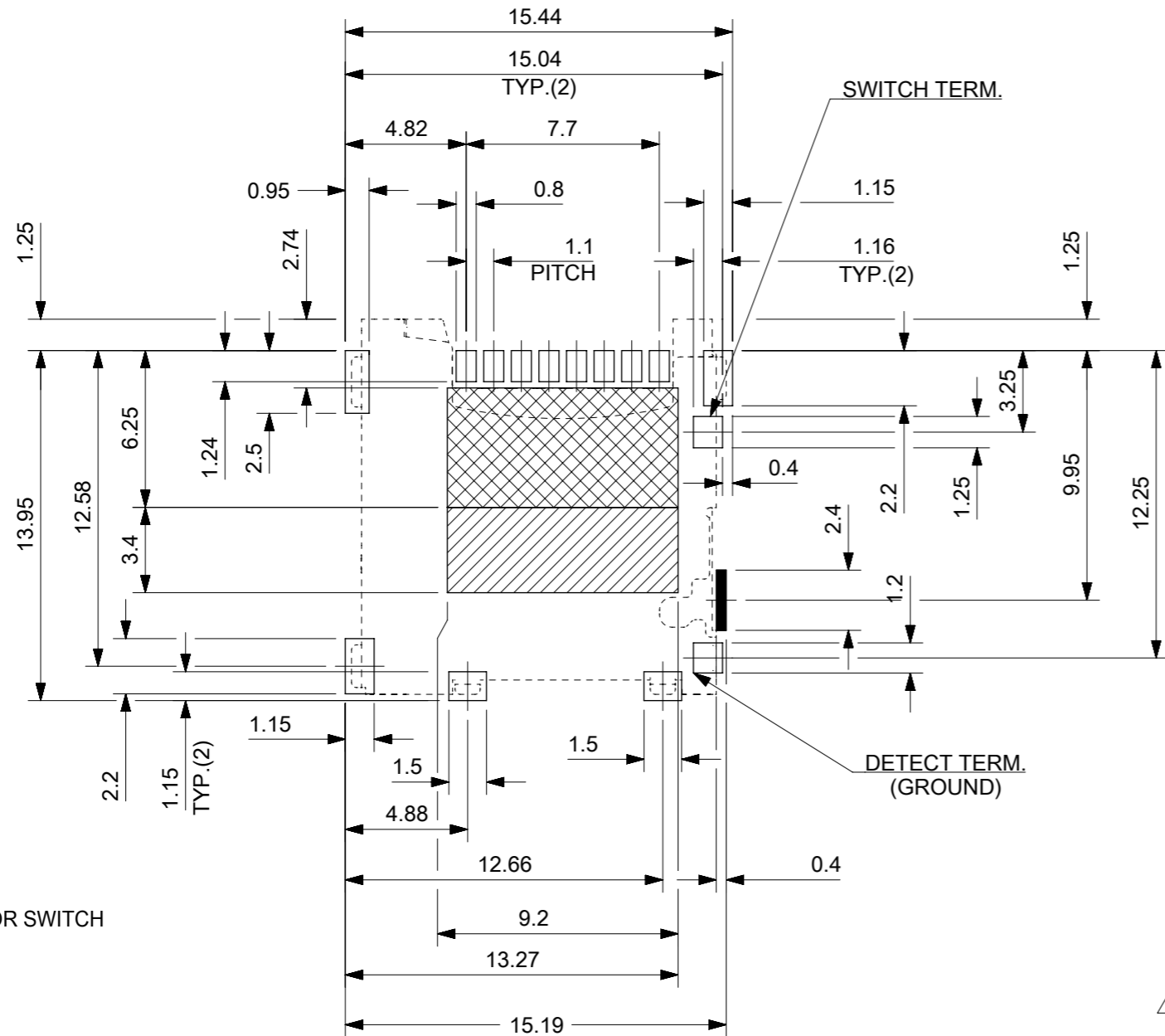
SYMBOLS		THIS DRAWING CONTAINS INFORMATION THAT IS PROPRIETARY TO MOLEX ELECTRONIC TECHNOLOGIES, LLC AND SHOULD NOT BE USED WITHOUT WRITTEN PERMISSION			
▽ = 0	mm	SCALE	CURRENT REV DESC: REMASTERED IN ECTR		
▽ = 0	GENERAL TOLERANCES (UNLESS SPECIFIED)		4:1		
▽ = 0	ANGULAR TOL ±	EC NO: 623577			
▽ = 0	4 PLACES ±	DRWN: KSUTAR		2019/08/30	
▽ = 0	3 PLACES ±	CHK'D: GB		2019/09/05	
▽ = 0	2 PLACES ±	APPR: GGA		2019/09/05	
▽ = 0	1 PLACE ±	INITIAL REVISION:			
▽ = 0	0 PLACES ±	DRWN: YGOTO		2013/03/08	
▽ = 0	DRAFT WHERE APPLICABLE MUST REMAIN WITHIN DIMENSIONS		APPR: YOITO		2013/03/12
THIRD ANGLE PROJECTION	DRAWING	SERIES	MATERIAL NUMBER	CUSTOMER	SHEET NUMBER
A3-SIZE	503182	SEE CHART	GENERAL MARKET	1 OF 2	

**molex**

MICRO SD CONN. NORMAL  
ULTRA LOW-PROFILE ASSY

PRODUCT CUSTOMER DRAWING

DOCUMENT NUMBER: SD-503182-011  
 DOC TYPE: PSD  
 DOC PART: 001  
 REVISION: C



RECOMMENDED  
PCB PATTERN LAYOUT  
(GENERAL TOLERANCE : ±0.05 )

部品搭載禁止エリア  
KEEP OUT AREA FOR SWITCH

パターン禁止エリア  
PATTERN PROHIBITION AREA

半田付け禁止エリア  
SOLDER PROHIBITION AREA

番号	番号 NAME	名称 MATERIAL
①	ハウジング HOUSING	液晶ポリマー(LCP) LIQUID CRYSTAL POLYMER (LCP)
②	ターミナル TERMINAL	銅合金、接点部：金めっき 半田付部：錫めっき 下地：ニッケルめっき COPPER ALLOY, CONTACT AREA:GOLD TAIL AREA:TIN UNDER PLATING:NICKEL
③	メタルシェル METAL SHELL	ステンレス鋼、半田付け部：金めっき 下地：ニッケルめっき STAINLESS STEEL, TAIL AREA:GOLD UNDER PLATING:NICKEL
④	カムスライダー CAM SLIDER	液晶ポリマー(LCP) LIQUID CRYSTAL POLYMER (LCP)
⑤	ディテクトネイル DETECT NAIL	銅合金、接点部：金めっき 半田付部：金めっき 下地：ニッケルめっき COPPER ALLOY, CONTACT AREA:GOLD TAIL AREA:GOLD UNDER PLATING:NICKEL
⑥	スイッチネイル SWITCH NAIL	銅合金、接点部：金めっき 半田付部：金めっき 下地：ニッケルめっき COPPER ALLOY, CONTACT AREA:GOLD TAIL AREA:GOLD UNDER PLATING:NICKEL
⑦	スプリング SPRING	ピアノ線 SWP
⑧	カムピン CAM PIN	ステンレス鋼 STAINLESS STEEL

NOTES:

- ターミナル及びネイルの平坦度は0.1MAX.とする。  
COPLANARITY OF TERMINAL AND NAIL IS TO BE 0.1MAX.
- ② スタンドオフ寸法  
DIMENSIONS OF STAND OFF.
- ③ ロット印字は任意とする  
LOT NUMBERING IS TO BE OPTIONAL.
- 肉抜き位置は任意とする。  
CAVITY IS TO BE OPTIONAL.
- カード検知スイッチ  
DETECT SWITCH
- ELV及びRoHS適合品  
ELV AND RoHS COMPLIANT.

カード挿入時 CARD INSERTING POSITION	クローズ CLOSED
カード未挿入時 NO CARD POSITION	オープン OPEN

ロットNo. : 7 7 0 7 0  
 西暦 (1桁目) : 7 : 2007年  
 月 : 7月  
 日 : 07日  
 ラインNo. : LINE No.

GENERAL TOLERANCE (UNLESS SPECIFIED)	
10 UNDER	±0.2
10 OVER 30 UNDER	±0.25
30 OVER	±0.3
ANGULAR ±1°	
DRAFT WHERE APLLICABLE MUST REMAIN WITHIN DIMENSIONS	

THIS DRAWING CONTAINS INFORMATION THAT IS PROPRIETARY TO MOLEX ELECTRONIC TECHNOLOGIES, LLC AND SHOULD NOT BE USED WITHOUT WRITTEN PERMISSION

SYMBOLS:  $\nabla = 0$ ,  $\nabla = 0$ ,  $\nabla = 0$ ,  $\nabla = 0$ ,  $\nabla = 0$ ,  $\nabla = 0$ ,  $\nabla = 0$ ,  $\nabla = 0$ ,  $\nabla = 0$ ,  $\nabla = 0$

DIMENSION UNITS: mm | SCALE: 4:1

GENERAL TOLERANCES (UNLESS SPECIFIED): ANGULAR TOL ± °

EC NO: 623577 | DRWN: KSUTAR | 2019/08/30 | CHK'D: GB | 2019/09/05 | APPR: GGA | 2019/09/05

INITIAL REVISION: DRWN: YGOTO | 2013/03/08 | APPR: YOITO | 2013/03/12

THIRD ANGLE PROJECTION:

DRAWING: A3-SIZE | SERIES: 503182 | MATERIAL NUMBER: SEE SHEET 1 OF 2 | CUSTOMER: GENERAL MARKET | SHEET NUMBER: 2 OF 2

CURRENT REV DESC: REMASTERED IN ECTR

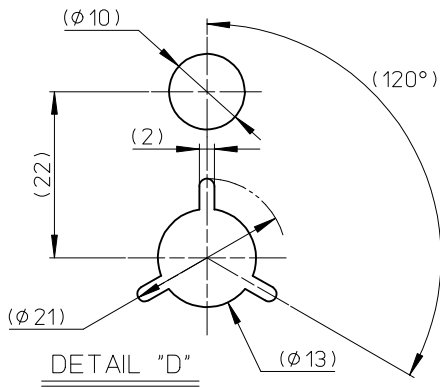
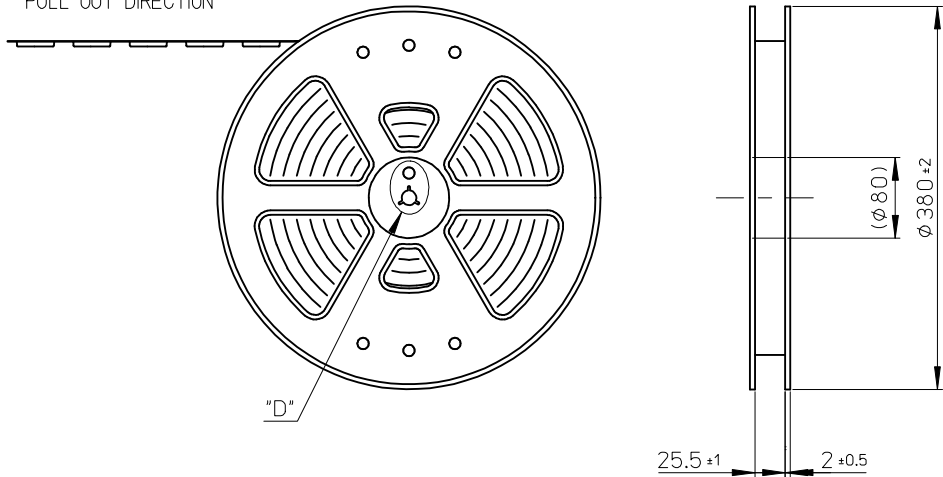
**molex**

MICRO SD CONN. NORMAL  
ULTRA LOW-PROFILE ASSY

PRODUCT CUSTOMER DRAWING

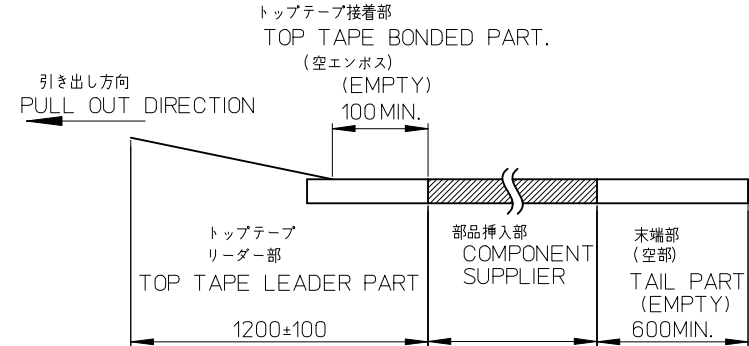
DOCUMENT NUMBER: SD-503182-011 | DOC TYPE: PSD | DOC PART: 001 | REVISION: C

引き出し方向  
PULL OUT DIRECTION



NOTES

- 製品詳細寸法は製品単体図面を参照して下さい。  
FOR DETAIL OF CONNECTOR DIMENSIONS, PLEASE SEE THE DRAWING OF CONNECTOR ITSELF (NOT PACKAGED).
- 梱包数量：1600個/リール  
NUMBER OF CONNECTORS : 1600 PCS/REEL.
- リードテープ長さ LEAD TAPE LENGTH.



- 材料 MATERIAL  
キャリアテープ(CARRIER TAPE) : ポリスチレン (POLYSTYRENE)  
トップテープ(TOP TAPE) : PET, PE, PEF  
リール(REEL) : ポリスチレン(PS)<リサイクル材含む>  
POLYSTYRENE (PS)<RECYCLE MATERIAL CONTAINED>
- ELV AND RoHS COMPLIANT

503182-1852	8
EMBOSSED TAPE	極数
ORDER No. オーダー番号	CIRCUITS
CONNECTOR SERIES No. 503182-***42	

RELEASED EC NO: J2013-0986 DRWN: YGOTO 2013/03/08 CHKD: MTOMITA 2013/03/08 APPR: YOITO 2013/03/12	DESCRIPTION REV: A	GENERAL TOLERANCES (UNLESS SPECIFIED)		DIMENSION STYLE MM ONLY		SCALE ---	DESIGN UNITS METRIC	THIRD ANGLE PROJECTION		
		10 UNDER	±0.2	DRAWN BY YGOTO	DATE 2013/03/08	TITLE MICRO SD CONN. ULTRA LOW-PRO EMBOSSED TAPE PACKAGE				
		10 OVER 30 UNDER	±0.25	CHECKED BY MTOMITA	DATE 2013/03/08	<b>molex</b> DOCUMENT NO. SD-503182-012 SHEET NO. 1 OF 2				
		30 OVER	±0.3	APPROVED BY YOITO	DATE 2013/03/12					
ANGULAR ±1 °		DRAFT WHERE APPLICABLE MUST REMAIN WITHIN DIMENSIONS		MATERIAL NO. SEE CHART		THIS DRAWING CONTAINS INFORMATION THAT IS PROPRIETARY TO MOLEX INCORPORATED AND SHOULD NOT BE USED WITHOUT WRITTEN PERMISSION				

10 9 8 7 6 5 4 3 2 1

F

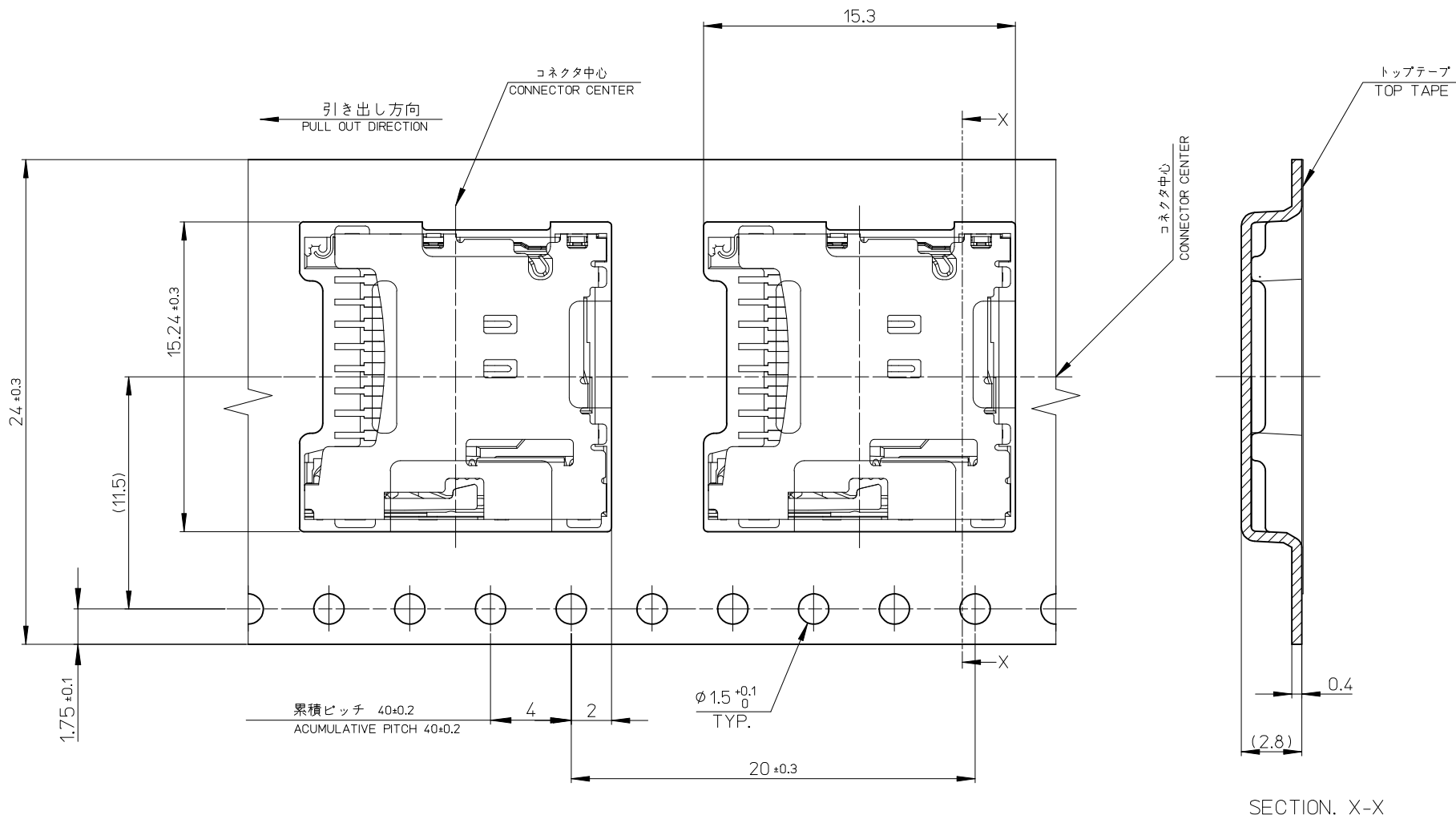
E

D

C

B

A



<b>RELEASED</b> EC NO.: J2013-0986 DRWN: YGOTO 2013/03/08 CHKD: MTOMITA 2013/03/08 APPR: YOITO 2013/03/12	GENERAL TOLERANCES (UNLESS SPECIFIED)		DIMENSION STYLE <b>MM ONLY</b>	SCALE <b>5:1</b>	DESIGN UNITS <b>METRIC</b>	THIRD ANGLE PROJECTION	
	10 UNDER	$\pm 0.2$	DRAWN BY YGOTO	DATE 2013/03/08	TITLE <b>MICRO SD CONN.          ULTRA LOW-PRO          EMBOSSED TAPE PACKAGE</b>		
	10 OVER 30 UNDER	$\pm 0.25$	CHECKED BY MTOMITA	DATE 2013/03/08			
	30 OVER	$\pm 0.3$	APPROVED BY YOITO	DATE 2013/03/12	MATERIAL NO. <b>SEE SHEET 1 OF 2</b>	DOCUMENT NO. <b>SD-503182-012</b>	SHEET NO. <b>2 OF 2</b>
ANGULAR $\pm 1^\circ$ DRAFT WHERE APPLICABLE MUST REMAIN WITHIN DIMENSIONS	SIZE <b>A3</b>		THIS DRAWING CONTAINS INFORMATION THAT IS PROPRIETARY TO MOLEX INCORPORATED AND SHOULD NOT BE USED WITHOUT WRITTEN PERMISSION				

9 8 7 6 5 4 3 2