

| | | | |
|---|----------------------------------|----------------------------------|----------------------------------|
| EC NO. DRWN: CHK: APPR: | EC NO. DRWN: CHK: APPR: | EC NO. DRWN: CHK: APPR: | EC NO. DRWN: CHK: APPR: |
| RELEASED EC NO. JD90381 DRWN: THIRATA '98/09/09 CHK: MASAO '98/09/09 APPR: HIKESUGI '98/09/09 | | | |
| REV | | | |

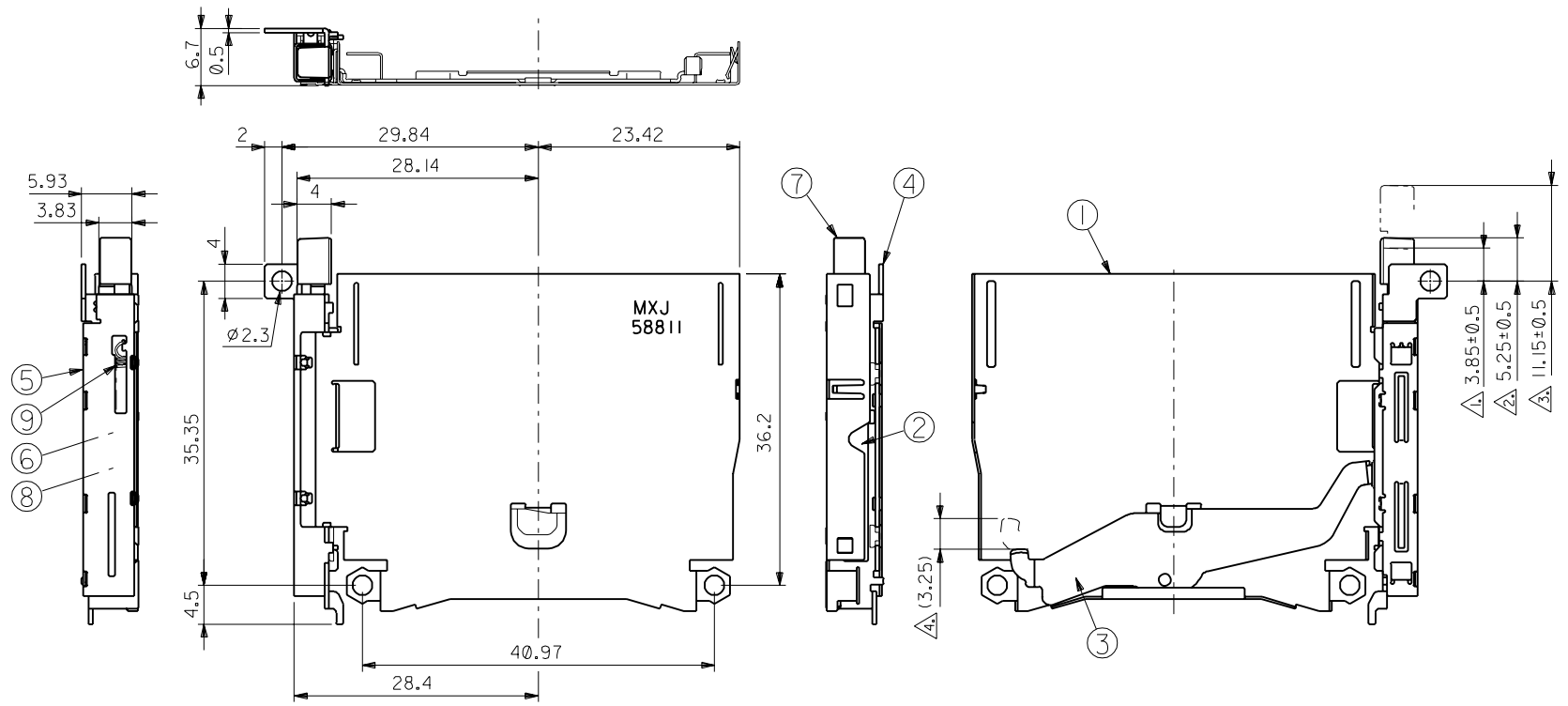
| | |
|----------------------|-----------|
| MATERIAL 材料 | SEE NOTES |
| FINISH 仕上り | SEE NOTES |
| WIRE RANGE 通所用線形目 | — # — |
| INS. RANGE 被覆外径 | — # — |

| | | |
|---|----------------|--|
| GENERAL TOLERANCES: (UNLESS SPECIFIED) 一般公差 | SCALE 2 - 1 | DESIGN UNITS <input checked="" type="checkbox"/> mm <input type="checkbox"/> INCH |
| 10 UNDER 未満 | +0.2 | DRAWN BY & DATE <i>T. Hirata</i> '98/09/09 CHECKED BY & DATE <i>H. Sano</i> '98/09/09 APPROVED BY & DATE <i>H. Sano</i> '98/09/09 |
| 10 OVER 以上 | +0.25 | |
| 30 OVER 以上 | +0.3 | |
| ANGLE 角度 | +3° | CAD FILENAME 55365002.S01 |

| | | | |
|--|-----------------------------|-----------------------|-----------|
| DIMENSIONS: <input type="checkbox"/> mm <input type="checkbox"/> INCH <input checked="" type="checkbox"/> mm ONLY | | SHT | REV |
| THIRD ANGLE PROJECTION | | REVISE ON CAD ONLY | |
| TITLE: CF CARD CONN. EJECT MECHANISM EJECT ASS'Y | | | |
| MOLEX INCORPORATED | | | |
| MATERIAL NO. 55365-0011 | DRAWING NO. SD-55365-002 | SHEET NO. 1 OF 2 | SIZE B |
| THIS DRAWING CONTAINS INFORMATION THAT IS PROPRIETARY TO MOLEX INCORPORATED AND SHOULD NOT BE USED WITHOUT WRITTEN PERMISSION. | | | |

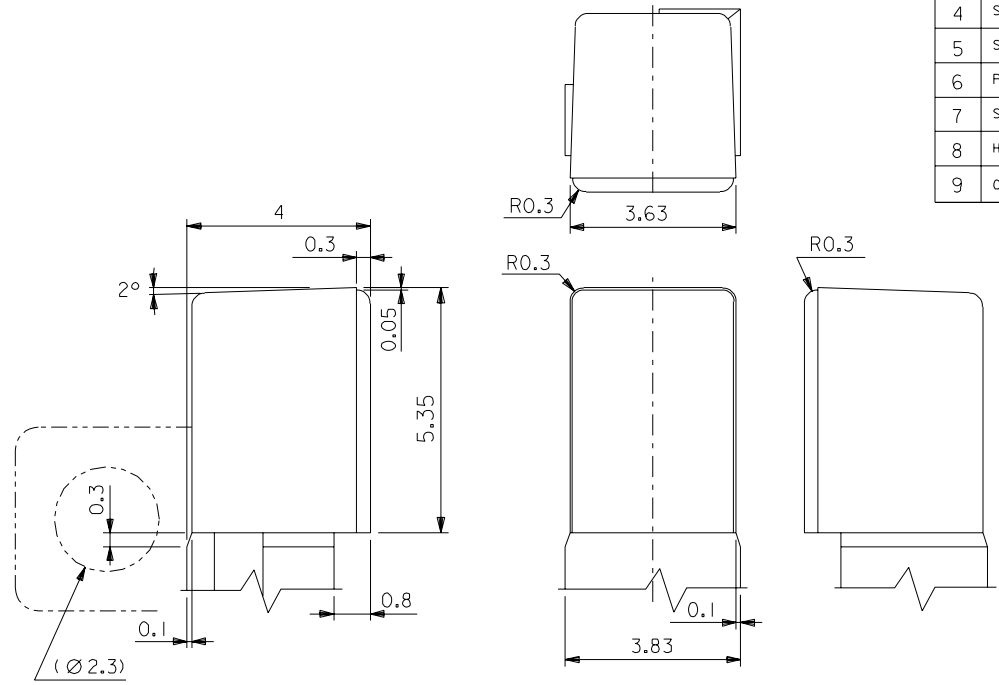
注) NOTES

- △1 ボタン・フルストローク位置。
BUTTON'S FULL STROKE POSITION.
- △2 ボタン収納時位置。
BUTTON'S IN POSITION.
- △3 ボタン突出時位置。
BUTTON'S OUT POSITION.
- △4 イジェクト時、カード飛び出し量は(3.25)mm。
IN EJECTING OPERATION, CARD OUT BY (3.25)mm.



DWG. NO. SD-55365-002

| No. | 品名 NAME | 材料 MATERIAL | 仕上り FINISH | 個数 PIECE |
|-----|-------------|---|---------------------------------------|-------------|
| 1 | METAL SHELL | ステンレス鋼 t 0.25 STAINLESS STEEL t 0.25 | — | 1 |
| 2 | PUSH ROD | ステンレス鋼 t 0.5 STAINLESS STEEL t 0.5 | — | 1 |
| 3 | LEVER | ステンレス鋼 t 0.4 STAINLESS STEEL t 0.4 | — | 1 |
| 4 | SIDE PLATE | ステンレス鋼 t 0.5 STAINLESS STEEL t 0.5 | — | 1 |
| 5 | SIDE COVER | ステンレス鋼 t 0.25 STAINLESS STEEL t 0.25 | — | 1 |
| 6 | PIN PLATE | 鋼 STEEL | フッ素樹脂コーティング FLUORINE RESIN COATING | 1 |
| 7 | SLIDER | ポリカーボネート UL94V-0 色 :黒色 POLYCARBONATE UL94V-0 COLOR:BLACK | — | 1 |
| 8 | HEART CAM | ポリカーボネート UL94V-0 色 :黒色 POLYCARBONATE UL94V-0 COLOR:BLACK | — | 1 |
| 9 | COIL SPRING | ステンレス鋼 φ 0.22 STAINLESS STEEL φ 0.22 | — | 1 |



ボタン詳細寸法
DETAIL OF BUTTON

DO NOT SCALE DRAWING

| | | | | | | | | | | | | | | | |
|----------------------------------|----------------------------------|----------------------------------|----------------------------------|----------------------------------|--|-----|----------------------|---|----------------|--|--|--|-----------------------------|--------------------|-----------|
| EC NO. DRWN: CHK: APPR: | EC NO. DRWN: CHK: APPR: | EC NO. DRWN: CHK: APPR: | EC NO. DRWN: CHK: APPR: | EC NO. DRWN: CHK: APPR: | EC NO. DRWN: CHK: APPR: SEE SHEET 1 OF 2 | REV | MATERIAL 材料 | GENERAL TOLERANCES: (UNLESS SPECIFIED) 一般公差 | SCALE 2 - 1 | DESIGN UNITS <input checked="" type="checkbox"/> mm <input type="checkbox"/> INCH | THIRD ANGLE PROJECTION | DIMENSIONS: <input type="checkbox"/> mm <input type="checkbox"/> INCH <input checked="" type="checkbox"/> mm ONLY | | SHT | REV |
| | | | | | | | SEE NOTES | 10 UNDER 未満 | +0.2 | DRAWN BY & DATE T. Kizata '98/09/09 | | TITLE: CF CARD CONN. EJECT MECHANISM EJECT ASS'Y | REVISE ON CAD ONLY | | |
| | | | | | | | FINISH 仕上り | 10 OVER 以上 | 30 UNDER 未満 | +0.25 | CHECKED BY & DATE H. Saito '98/09/09 | APPROVED BY & DATE H. Saito '98/09/09 | | MOLEX INCORPORATED | |
| | | | | | | | WIRE RANGE 適用線径範囲 | 30 OVER 以上 | | +0.3 | CAD FILENAME 55365002.S02 | MATERIAL NO. 55365-0011 | DRAWING NO. SD-55365-002 | SHEET NO. 2 | SIZE B |
| | | | | | | | INS. RANGE 被覆外径 | ANGLE 角度 | | +3° | THIS DRAWING CONTAINS INFORMATION THAT IS PROPRIETARY TO MOLEX INCORPORATED AND SHOULD NOT BE USED WITHOUT WRITTEN PERMISSION. | | | EN-02J(097) MXJ-54 | |

55365002.S02