

PART No MATRIX

Y	0	X	0	0	1	X	X	X	X	X	X	X	X	X
---	---	---	---	---	---	---	---	---	---	---	---	---	---	---

Y0= ULTRA LOCK 2.0 SINGLE ENDED

POLES:
3 = 3 POLES
4 = 4 POLES
5 = 5 POLES

HEADER:
001= FEMALE RA

CABLE:
E03 - 3/4/5x0.34 PVC BLACK
B30 - 3/4/5x0.34 WSOR BLACK
H09 - 3/4/5x0.34 PUR-LS0H BLACK

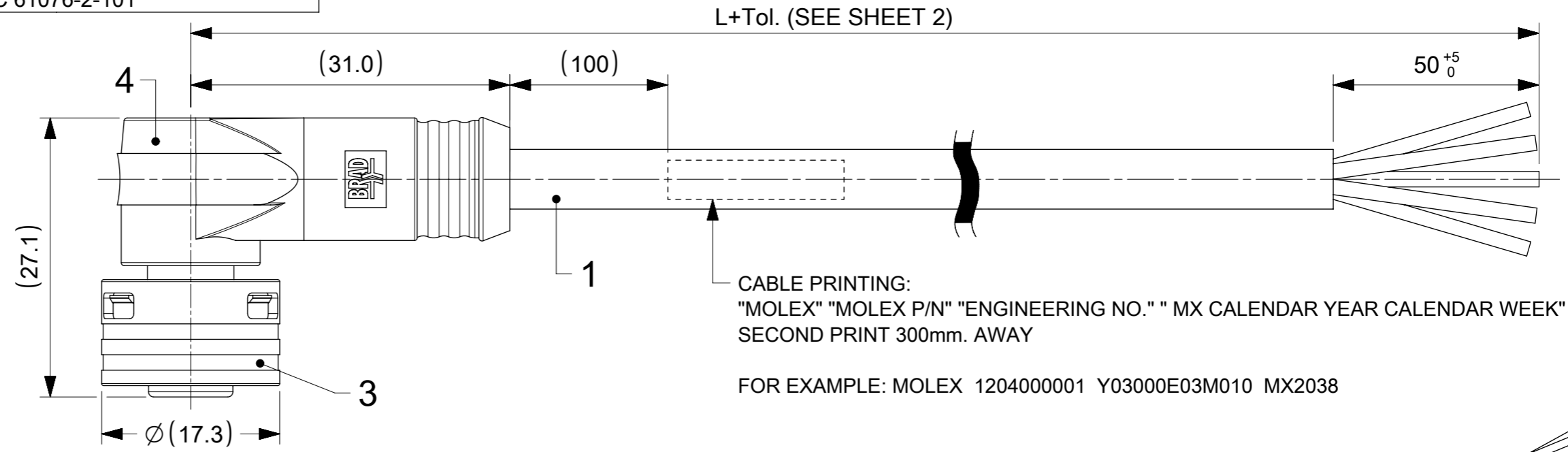
UNIT:
M = METER
F = FEET
C = CENTIMETER
T = 10M

LENGTH:
EXAMPLE:
010 = 1 m
050 = 5 m
100 = 10 m

OPTIONS
X X

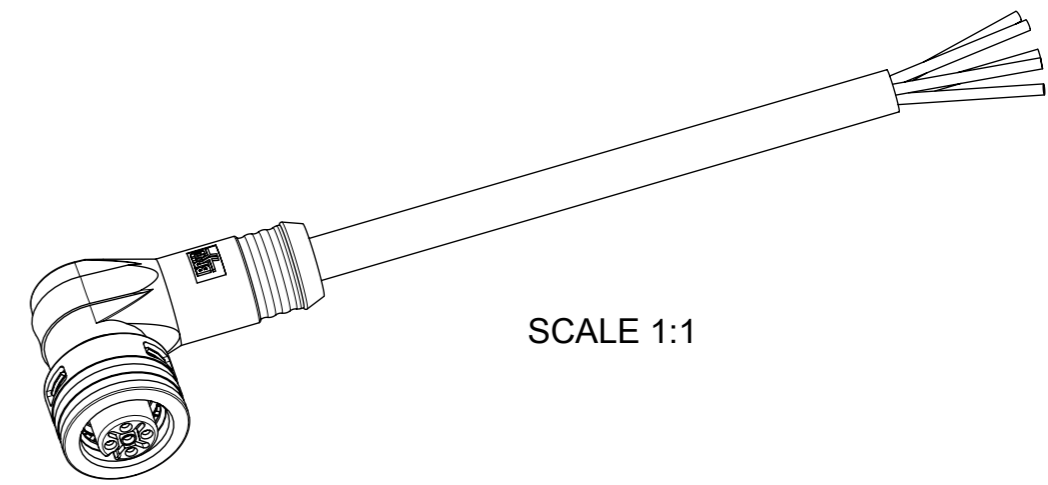
OVERMOLD:
BLANK = STANDARD BRAD:
-YELLOW IN THE USA
-BLACK IN EUROPE
A = GREY
E = RED
G = BLACK
Y = YELLOW
H = STD. COLOUR WITH TWO ID-TAG CARRIERS

CODING ACCORDING TO IEC 61076-2-101



NOTES:

- PARTS ACC. TO PRODUCT SPECIFICATION 1204000001 PS P10 AND IN STYLE OF IEC-61076-2-010
- BOM & PART LIST - SEE SHEET 2
- RATED VOLTAGE :
3, 4 CONTACTS: 250V AC OR DC
5 CONTACTS: 60V AC OR DC
RATED CURRENT:
3, 4, 5 CONTACTS: 4A, DERATING HAS TO BE CONSIDERED
OVERVOLTAGE CATEGORY: 3
POLLUTION DEGREE: 3, ONLY IN MATED AND LOCKED CONDITION
- PROTECTION CLASS: IP 67, ONLY IN MATED AND LOCKED CONDITION
- TEMPERATURE RANGE:
TEMPERATURE PLUG/SOCKET: -40 °C TO +85 °C
TEMPERATURE CABLE: SEE CABLE LIST
- MECHANICAL OPERATIONS: 100 CYCLES
- MATES WITH ULTRA-LOCK M12 MALE RECEPTACLES
- PACKAGING: THE CORDSETS ARE SINGLE PACKED IN PLASTIC BAGS AND DELIVERED IN CARTON BOXES
- UL CSA FILE REGISTRATION PENDING



FUNCTIONAL SYMBOLS	THIS DRAWING CONTAINS INFORMATION THAT IS PROPRIETARY TO MOLEX ELECTRONIC TECHNOLOGIES, LLC AND SHOULD NOT BE USED WITHOUT WRITTEN PERMISSION	SCALE		CURRENT REV DESC: NOTES AND CABLE LIST UPDATED	molex		
	mm	2:1	CSE U12 3-5P AC FE RA XM SE UNSH BK				
DIVISIONAL SYMBOLS	GENERAL TOLERANCES (UNLESS SPECIFIED)	EC NO: 736602			PRODUCT CUSTOMER DRAWING		
	ANGULAR TOL ± 1.0 °	DRWN: RSCHIEBER 2023/01/23			DOCUMENT NUMBER		
	4 PLACES ±	CHK'D: RSILLER 2023/01/31			1204000224		
	3 PLACES ±	APPR: RSILLER 2023/01/31			DOC TYPE DOC PART REVISION		
	INITIAL REVISION:	DRWN: RSCHIEBER 2020/09/16			PSD 000 A3		
	2 PLACES ± 0.05	APPR: RSILLER 2020/09/29			MATERIAL NUMBER		
	1 PLACE ± 0.3	DRAFT WHERE APPLICABLE MUST REMAIN WITHIN DIMENSIONS			CUSTOMER		
	0 PLACES ± 0.5	THIRD ANGLE PROJECTION			SHEET NUMBER		
		DRAWING			SEE SHEET 2		
		SERIES			GENERAL MARKET		
		A3-SIZE			1 OF 2		
		120400					

PART LIST table with columns MOLEX NO., ENGINEERING NO., LENGHT (MM). Rows 1204000200 to 1204000222.

PART LIST table with columns MOLEX NO., ENGINEERING NO., LENGHT (MM). Rows 1204000223 to 1204000235.

PART LIST table with columns MOLEX NO., ENGINEERING NO., LENGHT (MM). Empty table.

CABLE LIST

Cable list table with columns 3P, 4P, 5P, CABLE TYPE, DESCRIPTION, MATERIAL, FINISH/COLOR, FIXED INSTALLATION, FLEXIBLE INSTALLATION, DRAG CHAIN.

CABLE LENGTH TOLERANCES table with columns LENGTH, TOLERANCE. Rows 0m-1m, >1m-5m, >5m-10m, >10m-20m, >20m-30m, >30m.

* FIXED POSITION WITHOUT ACCIDENTAL CRUSHING OF VIBRATION. ** FREE MOTION WITHOUT PERIODIC RECURRENCE OR FORCED GUIDANCE.

BILL OF MATERIAL

Bill of Material table with columns 3P, 4P, 5P, ITEM, QTY, DESCRIPTION, MATERIAL, FINISH/COLOR. Rows 1-5.

Technical drawing metadata including functional symbols, scale (1:1), molex logo, EC NO: 736602, and document number 1204000224.