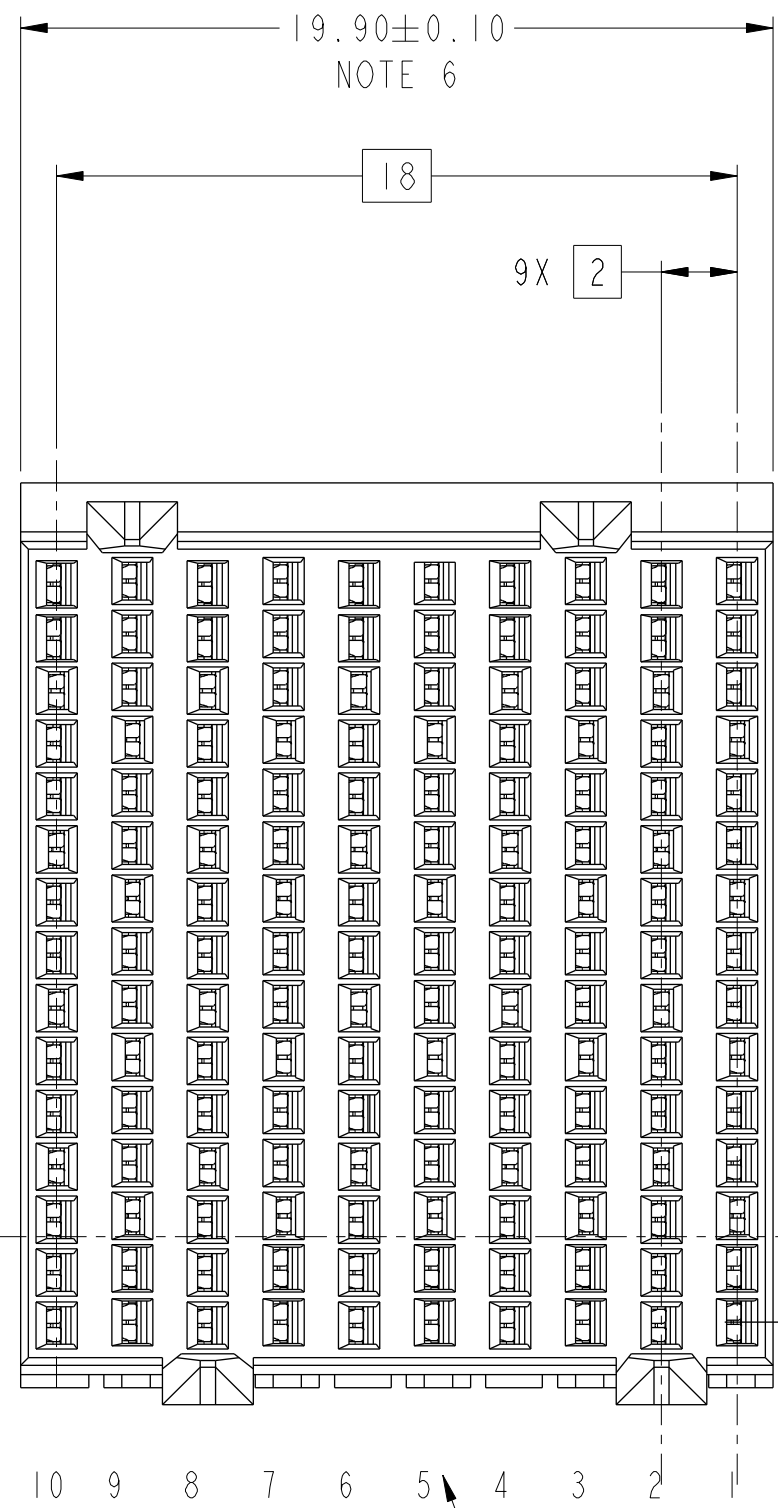


PRODUCT NUMBER  
SEE SHEET 3



2.35

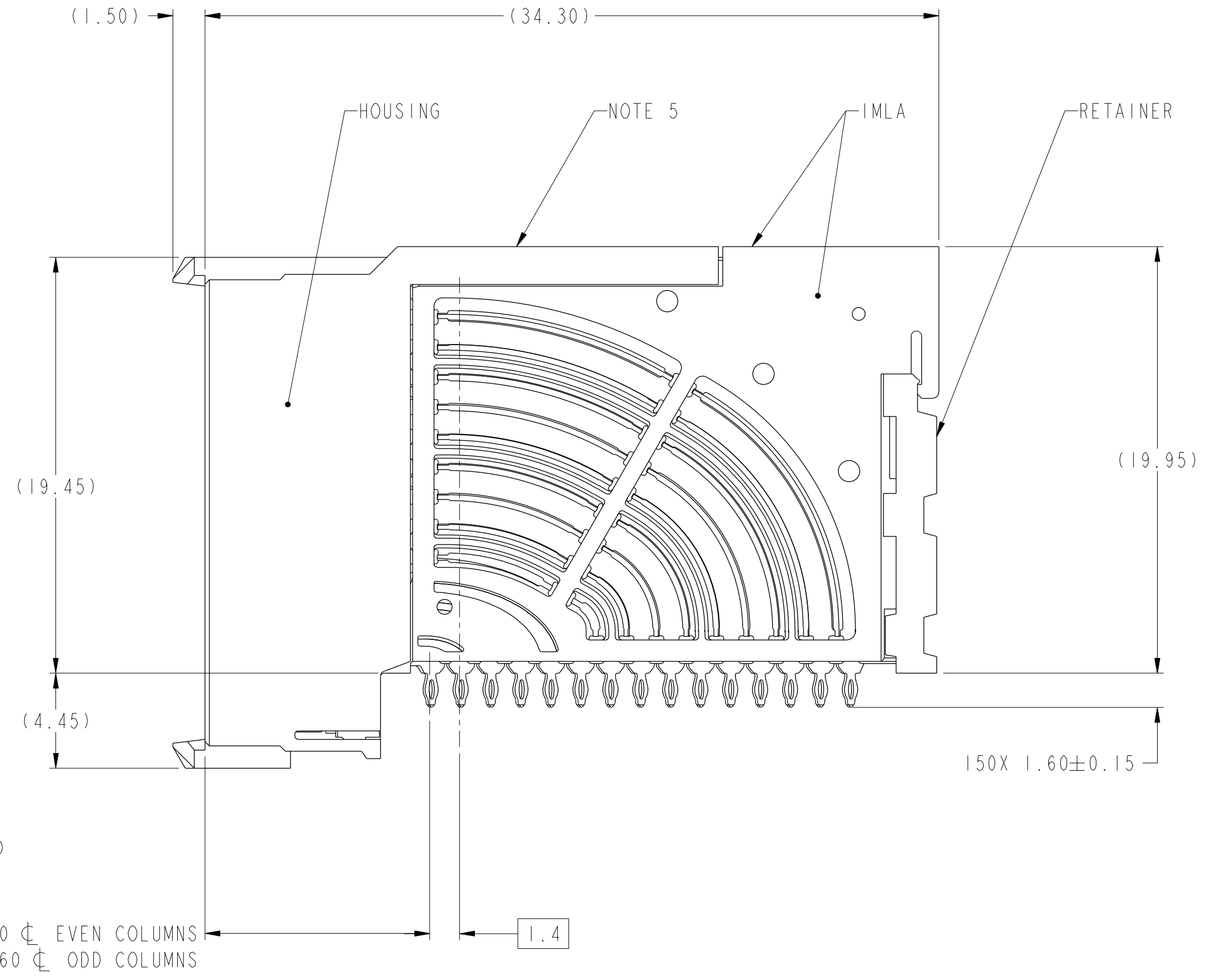
TOP SURFACE OF DAUGHTER CARD

2.27

ODD COLUMN, CONTACT ROW ID

COLUMN ID

EVEN COLUMN, CONTACT ROW ID  
ODD AND EVEN COLUMNS ARE OFFSET



10.50  $\phi$  EVEN COLUMNS  
10.60  $\phi$  ODD COLUMNS

Amphenol  
FCi

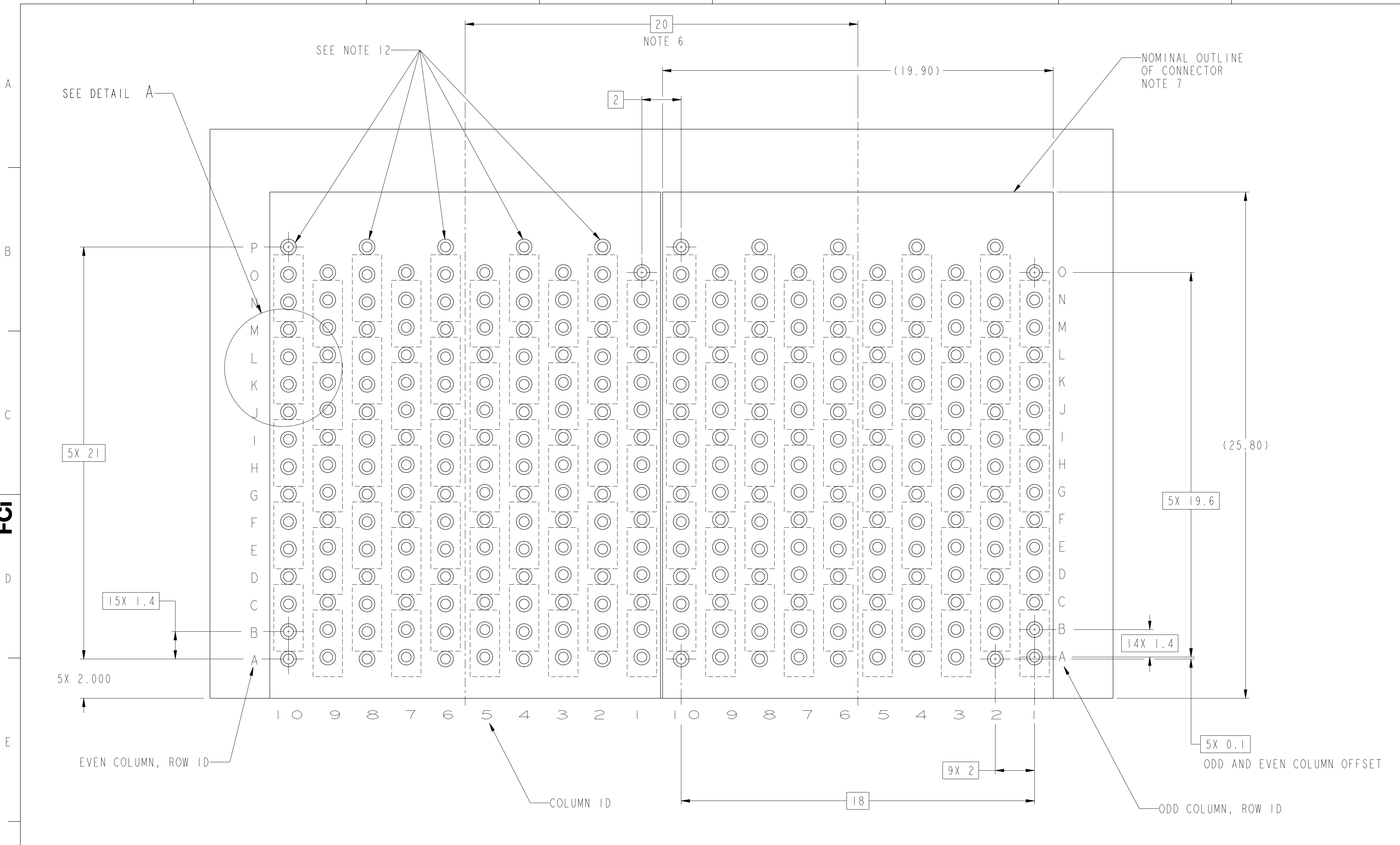
© 2016 AFci

spec ref	---	dr	S Paulpandian	2013/02/26	projection	MM	size	A2	scale	1:1
tolerance std	ASME Y14.5M	eng	Tao Zhan	2016/03/01			ecn no	ELX-DG-22284-1		
TOLERANCES UNLESS OTHERWISE SPECIFIED		chr	Heaven Cen	2016/03/02			rel level	Released		
		appr	Pei-Ming Zheng	2016/03/08			product family	AirMax VSE		
surface	-	linear	0.X	±.3		<b>AIRMAX VS2 R.A. RECEPTACLE</b> ASS'Y, 5 PAIR, 150 POS, 10 IMLA, 20MM	dwg no 10124461	rev C		
			0.XX	±.10						
			0.XXX	±.050						
		angular	0°	±°						
		cat. no.		-		Product - Customer Drw		sheet 1 of 3		

PDS: Rev :C

STATUS:Released

Printed: Mar 11, 2016

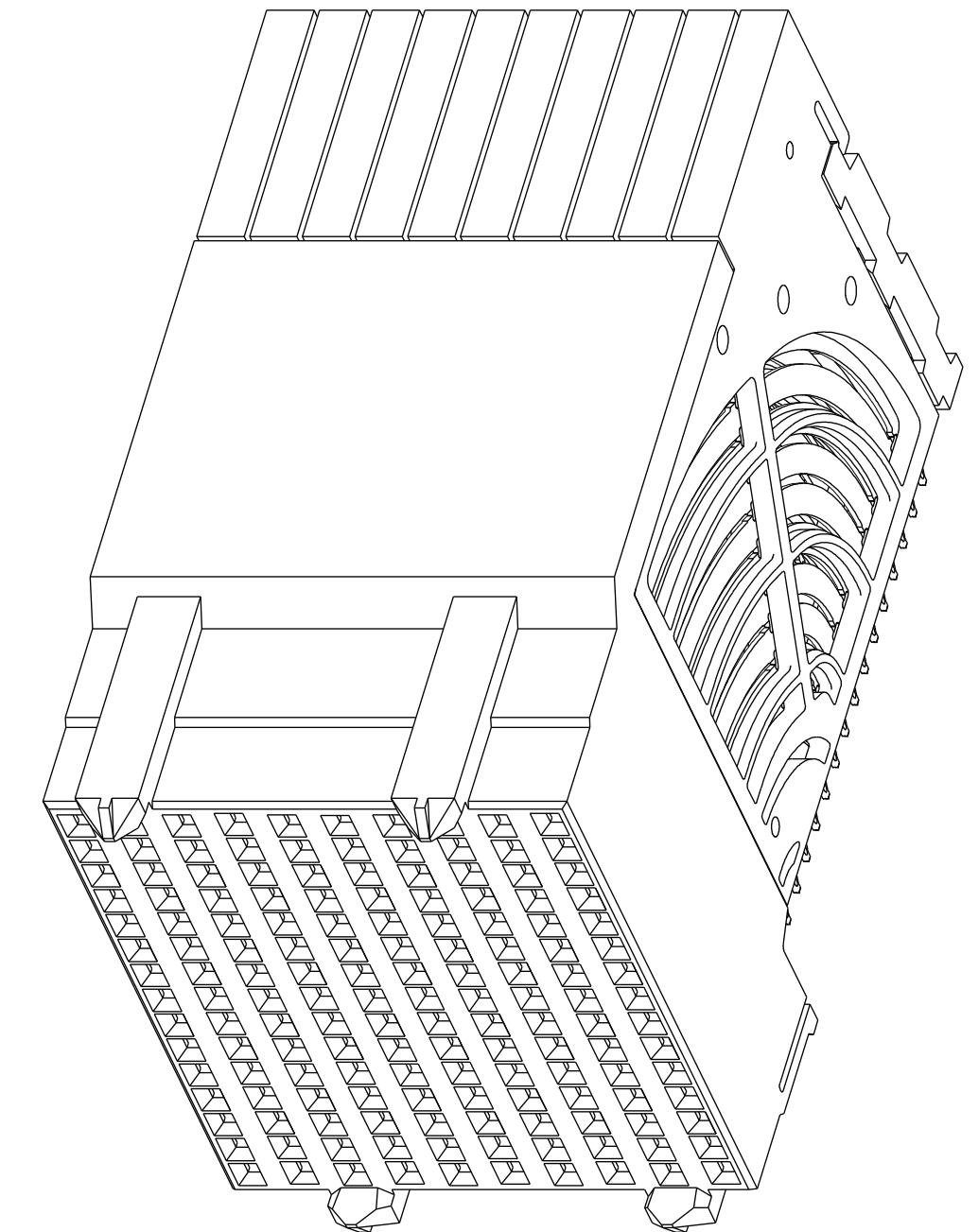


RECOMMENDED PCB LAYOUT  
FOR DIFFERENTIAL APPLICATIONS  
COMPONENT SIDE  
(TWO ADJACENT FOOTPRINTS SHOWN)  
NOTES 6, 8, & 11

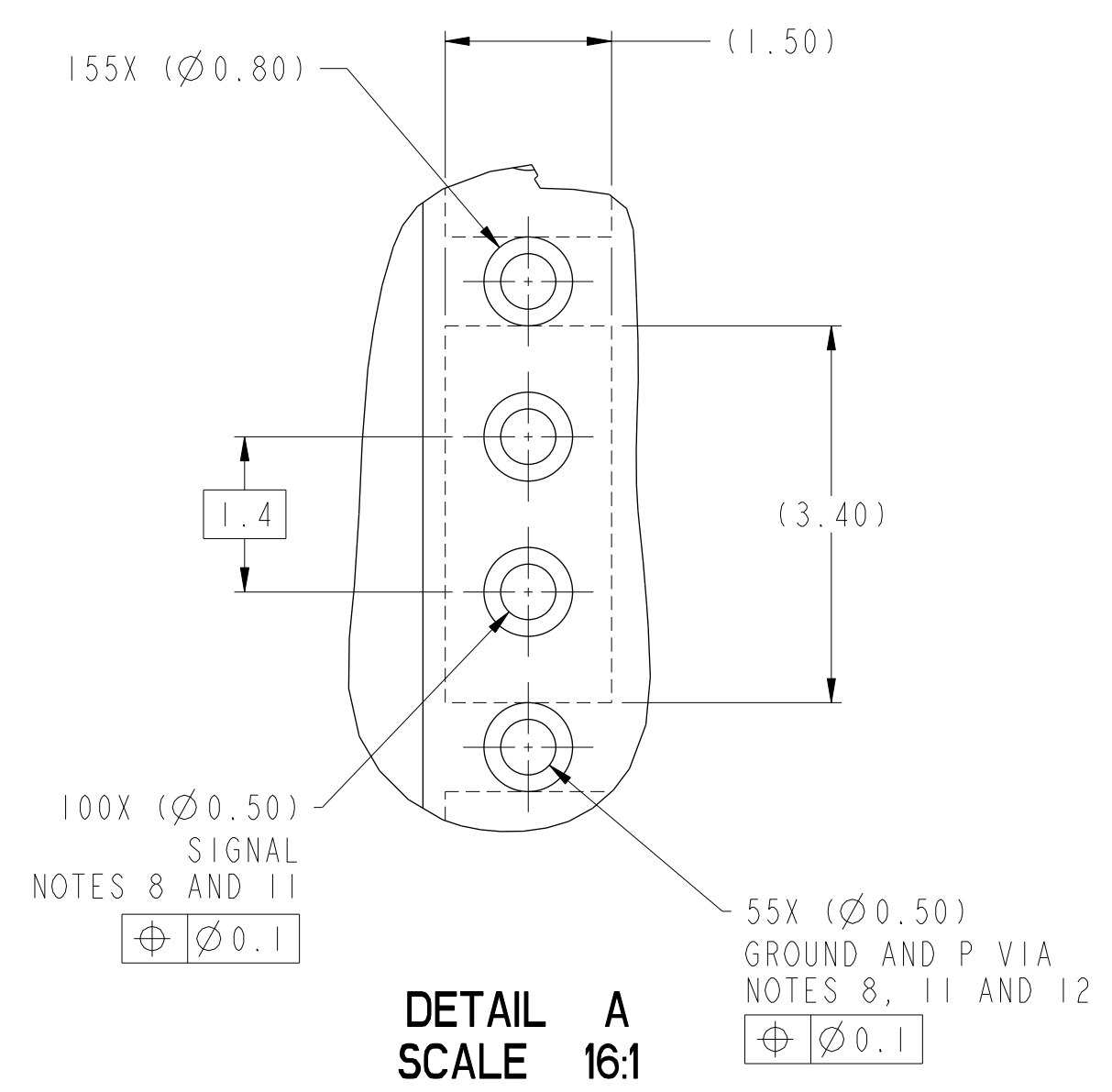
spec ref	---	dr	S Paulpandian	20130226	projection	MM	size	A2	scale	1:1
tolerance std	ASME Y14.5M	eng	Tao Zhan	20160301			ecn no	ELX-DG-22284-1		
TOLERANCES UNLESS OTHERWISE SPECIFIED		chr	Heaven Cen	20160302				rel level	Released	
surface	✓	appr	Pei-Ming Zheng	20160308	product family	AirMax VSE		rel level	Released	
linear	0.X ±.3 0.XX ±.10 0.XXX ±.050	Amphenol FCi	TITLE		AIRMAX VS2 R.A. RECEPTACLE		dwg no	10124461		
angular	0° ±°	cat. no.		-		Product - Customer Drw	sheet 2 of 3	rev C		

PRODUCT NUMBER	PRESS-FIT TAIL PLATING TYPE
10124461-101LF	TIN OVER NICKEL (LEAD FREE)

- 1 - CONNECTOR MATERIALS:  
HOUSING: HIGH TEMP THERMOPLASTIC, NATURAL, UL94-V0  
IMLA PLASTIC: HIGH TEMP THERMOPLASTIC, BLACK, UL94-V0  
CONTACT: COPPER ALLOY  
ORGANIZER: HIGH TEMP THERMOPLASTIC, WHITE, UL94-V0
- 2 - CONTACT PLATING:  
SEPARABLE INTERFACE:  
PERFORMANCE-BASED PLATING, QUALIFIED TO MEET THE REQUIREMENTS OF FCI PRODUCT SPECIFICATION GS-12-0956 INCLUDING TELCORDIA GR-1217-CORE (NOVEMBER 1995) CENTRAL OFFICE TEST SEQUENCE  
  
PRESS-FIT TAILS: SEE TABLE
- 3 - PRODUCT SPECIFICATION: GS-12-0956
- 4 - APPLICATION SPECIFICATION: GS-20-0305.
- 5 - PRODUCT MARKING, (PROTOTYPE, PART NUMBER & LOT CODE), ON THIS SURFACE.
- 6 - THE MINIMUM CENTERLINE SPACING BETWEEN ADJACENT MODULES IS 20.0 MM.
- 7 - CONNECTOR OUTLINE MAY BE SCREEN PRINTED ONTO CUSTOMER PCB TO BE USED AS A GUIDE FOR MANUAL CONNECTOR PLACEMENT.
- 8 - REFER TO CUSTOMER DRAWING 10104444 FOR INFORMATION ON PCB HOLE DIAMETERS AND PLATING OPTIONS
- 9 - LEAD FREE PRODUCT MEETS THE EUROPEAN UNION DIRECTIVES & OTHER COUNTRY REGULATIONS AS DESCRIBED IN GS-22-008
- 10 - PACKAGING MEETS GS-14-920 LEAD FREE LABELING SPECIFICATION.
- 11 - GROUND CONTACTS (C,F,I,L AND O IN ODD COLUMNS AND A,D,G,J AND M, EVEN COLUMNS) REQUIRE (Ø0.500) FINISHED HOLES. SIGNAL LOCATIONS REQUIRE (Ø0.500) FINISHED HOLES.
- 12 - THESE OUTER VIAS (P) ARE OPTIONAL. WHILE NO CONNECTOR PINS ARE PRESSED INTO THESE HOLES, WE RECOMMEND (Ø 0.500) FINISHED HOLES AT THESE LOCATIONS TO PROVIDE GROUND SYMMETRY THROUGH THE PCB



10124461-101LF



spec ref	---	dr	S Paulpandian	2013/02/26	projection	MM	size	A2	scale	4:1											
tolerance std	ASME Y14.5M	eng	Tao Zhan	2016/03/01			ecn no	ELX-DG-22284-1													
TOLERANCES UNLESS OTHERWISE SPECIFIED		chr	Heaven Cen	2016/03/02			rel level	Released													
surface	<table border="1"> <tr> <td>linear</td> <td>0.X</td> <td>±.3</td> </tr> <tr> <td></td> <td>0.XX</td> <td>±.10</td> </tr> <tr> <td></td> <td>0.XXX</td> <td>±.050</td> </tr> <tr> <td>angular</td> <td>0°</td> <td>±°</td> </tr> </table>	linear	0.X	±.3				0.XX	±.10		0.XXX	±.050	angular	0°	±°	appr	Pei-Ming Zheng	2016/03/08	product family		
linear	0.X	±.3																			
	0.XX	±.10																			
	0.XXX	±.050																			
angular	0°	±°																			
				<b>AIRMAX VS2 R.A. RECEPTACLE</b> ASS'Y, 5 PAIR, 150 POS, 10 IMLA, 20MM		cat. no.	10124461		rev	C											
							Product - Customer Drw		sheet 3 of 3												

PDS: Rev :C

STATUS:Released

Printed: Mar 11, 2016

Amphenol FCI

© 2016 AFCI