

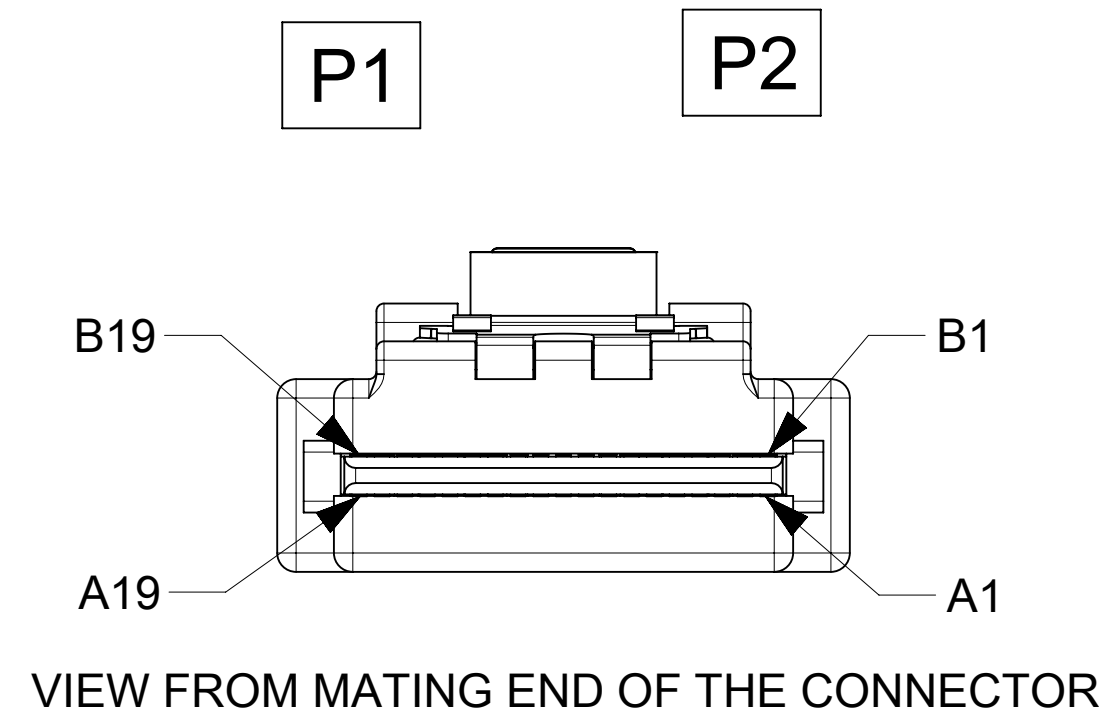
| MOLEX P/N | LENGTH | TOLERANCE | AWG | IMPEDANCE | EE SPEC | LABEL CONTEXT |
|------------|--------|-----------|-----|-----------|----------|----------------|
| 2073681000 | 152mm | ±10 mm | 32 | 100 OHMS | SAS 4.0 | SAS4.0 100 Ohm |
| 2073681001 | 300mm | ±10 mm | 32 | 100 OHMS | SAS 4.0 | SAS4.0 100 Ohm |
| 2073681003 | 500mm | ±10 mm | 32 | 100 OHMS | SAS 4.0 | SAS4.0 100 Ohm |
| 2073681002 | 1000mm | ±15 mm | 32 | 100 OHMS | SAS 4.0 | SAS4.0 100 Ohm |
| 2073681300 | 152mm | ±10 mm | 32 | 100 OHMS | SAS 3.0 | SAS3.0 100 Ohm |
| 2073681301 | 300mm | ±10 mm | 32 | 100 OHMS | SAS 3.0 | SAS3.0 100 Ohm |
| 2073681302 | 1000mm | ±15 mm | 32 | 100 OHMS | SAS 3.0 | SAS3.0 100 Ohm |
| 2073711001 | 300mm | ±10 mm | 32 | 85 OHMS | PCIe 4.0 | PCIe4.0 85 Ohm |
| 2073711002 | 1000mm | ±15 mm | 32 | 85 OHMS | PCIe 4.0 | PCIe4.0 85 Ohm |
| 2073711003 | 500mm | ±10 mm | 32 | 85 OHMS | PCIe 4.0 | PCIe4.0 85 Ohm |

NOTES:
 1. MATERIAL:
 HOUSING - PC 94V-0 BLACK
 LATCH - STAINLESS STEEL
 EXPANDO - PET
 CABLE - SHIELD: ALUMNINIZED POLYESTER FOIL
 - SIGNAL PAIR : SILVER-COATED OR TIN-COATED COPPER
 - DRAIN: TIN-COATED COPPER
 - CONFORMS TO VW1
 PCB - FR4 (HALOGEN FREE)
 2. THIS PRODUCT CONFORMS TO THE MECHANICAL DIMENSIONING OF SFF-8654
 3. RoHS COMPLIANT. NO EXEMPTIONS

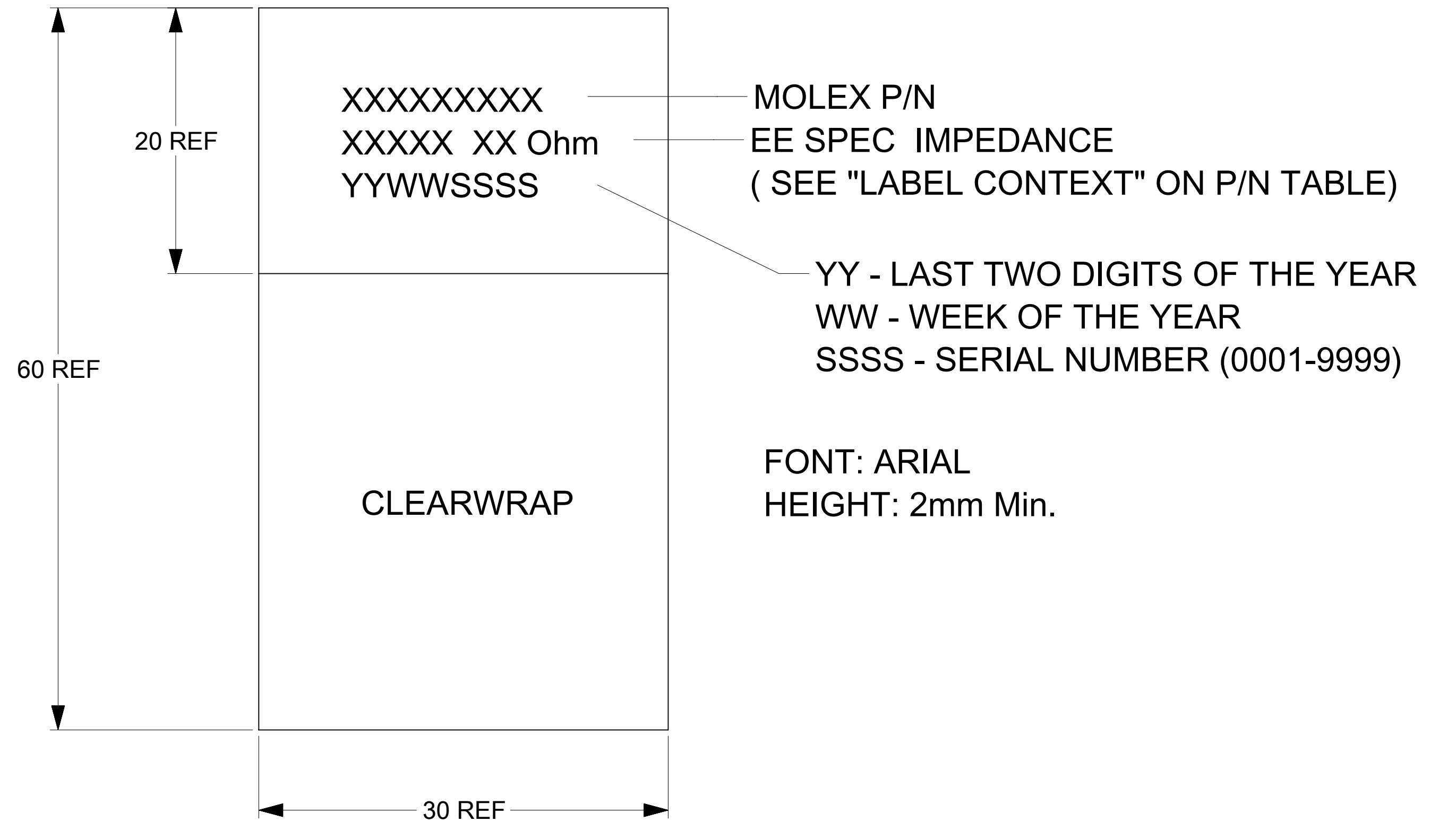
| | | | | | | | |
|---|---|--|---------------------------------------|-----------------|--------------|----------------|----------|
| FUNCTIONAL SYMBOLS $F_A = 0$ $F_C = 0$ $F_P = 0$ DIVISIONAL SYMBOLS | THIS DRAWING CONTAINS INFORMATION THAT IS PROPRIETARY TO MOLEX ELECTRONIC TECHNOLOGIES, LLC AND SHOULD NOT BE USED WITHOUT WRITTEN PERMISSION | | CURRENT REV DESC: | | | | |
| | DIMENSION UNITS | SCALE | GENERAL TOLERANCES (UNLESS SPECIFIED) | | | | |
| | mm | 5:1 | ANGULAR TOL ± 3.0° | | | | |
| | 4 PLACES ± | | INITIAL REVISION: | | | | |
| 3 PLACES ± 0.2 | | DRWN: LOU01 2018/06/28 | | DOCUMENT NUMBER | DOC TYPE | DOC PART | REVISION |
| 2 PLACES ± 0.3 | | APPR: VPENG01 2018/08/13 | | 2073681000 | PSD | 000 | F |
| 1 PLACE ± 0.4 | | DRAFT WHERE APPLICABLE MUST REMAIN WITHIN DIMENSIONS | | MATERIAL NUMBER | | CUSTOMER | |
| 0 PLACES ± | | THIRD ANGLE PROJECTION | | SEE P/N TABLE | | GENERAL MARKET | |
| | | D-SIZE | | SERIES | SHEET NUMBER | | |
| | | | | 207368 | 1 OF 3 | | |

PINOUT DIAGRAM

| P1 | | SIGNAL TYPE | P2 | |
|------|-----|-------------|-----|------|
| GND | A1 | — | B1 | GND |
| RX0+ | A2 | ← | B2 | TX0+ |
| RX0- | A3 | ← | B3 | TX0- |
| GND | A4 | — | B4 | GND |
| RX1+ | A5 | ← | B5 | TX1+ |
| RX1- | A6 | ← | B6 | TX1- |
| GND | A7 | — | B7 | GND |
| SB | A8 | ↔ | B8 | SB |
| SB | A9 | ↔ | B9 | SB |
| SB | A10 | ↔ | B10 | SB |
| SB | A11 | ↔ | B11 | SB |
| SB | A12 | ↔ | B12 | SB |
| GND | A13 | — | B13 | GND |
| RX2+ | A14 | ← | B14 | TX2+ |
| RX2- | A15 | ← | B15 | TX2- |
| GND | A16 | — | B16 | GND |
| RX3+ | A17 | ← | B17 | TX3+ |
| RX3- | A18 | ← | B18 | TX3- |
| GND | A19 | — | B19 | GND |
| GND | B1 | — | A1 | GND |
| TX0+ | B2 | → | A2 | RX0+ |
| TX0- | B3 | → | A3 | RX0- |
| GND | B4 | — | A4 | GND |
| TX1+ | B5 | → | A5 | RX1+ |
| TX1- | B6 | → | A6 | RX1- |
| GND | B7 | — | A7 | GND |
| SB | B8 | ↔ | A8 | SB |
| SB | B9 | ↔ | A9 | SB |
| SB | B10 | ↔ | A10 | SB |
| SB | B11 | ↔ | A11 | SB |
| SB | B12 | ↔ | A12 | SB |
| GND | B13 | — | A13 | GND |
| TX2+ | B14 | → | A14 | RX2+ |
| TX2- | B15 | → | A15 | RX2- |
| GND | B16 | — | A16 | GND |
| TX3+ | B17 | → | A17 | RX3+ |
| TX3- | B18 | → | A18 | RX3- |
| GND | B19 | — | A19 | GND |



LABEL DETAIL



—————> = TRANSMIT TO RECEIVE ON HIGH SPEED CIRCUITS
 ————— = GND
 <—————> = SIDEBAND
 NOTE: ALL SIGNAL GROUND ARE BUSSED IN PCB.

| | | | | | |
|--|---|--|---------------------------|--------------------------------------|---|
| FUNCTIONAL SYMBOLS $\nabla_A = 0$ $\nabla_C = 0$ $\nabla_P = 0$ DIVISIONAL SYMBOLS | THIS DRAWING CONTAINS INFORMATION THAT IS PROPRIETARY TO MOLEX ELECTRONIC TECHNOLOGIES, LLC AND SHOULD NOT BE USED WITHOUT WRITTEN PERMISSION | | CURRENT REV DESC: | | SLIMSAS 4X STR TO STR CABLE ASSY. PRODUCT CUSTOMER DRAWING |
| | mm | 1:1 | EC NO: 750333 | | |
| | GENERAL TOLERANCES (UNLESS SPECIFIED) | | DRWN: RICKK2 2023/05/19 | | |
| | ANGULAR TOL ± 3.0° | | CHK'D: RTSAI03 2023/05/23 | | |
| | 4 PLACES ± | | APPR: RTSAI03 2023/05/23 | | |
| 3 PLACES ± 0.2 | | INITIAL REVISION: | | DOCUMENT NUMBER 2073681000 | |
| 2 PLACES ± 0.3 | | DRWN: LOU01 2018/06/28 | | | |
| 1 PLACE ± 0.4 | | APPR: VPENG01 2018/08/13 | | | |
| 0 PLACES ± | | DRAFT WHERE APPLICABLE MUST REMAIN WITHIN DIMENSIONS | | DOC TYPE PSD | |
| D-DRAWING | | SERIES 207368 | | DOC PART 000 | |
| SEE P/N TABLE | | CUSTOMER GENERAL MARKET | | REVISION F | |
| SHEET NUMBER 2 OF 3 | | | | | |

| REVISION HISTORY | | | |
|------------------|-----|--|------------|
| DATE | REV | DESCRIPTION | ENGINEER |
| 2020/8/10 | B1 | ADDED A LINE FROM B3 TO A3 | DASH SUN |
| 2020/12/09 | C | ADDED ONE P/N 2073711003 | SUNNYWK |
| 2021/03/31 | D | SHEET 1: UPDATED THE DRAWINGS WITH LATEST SLIMSAS 4X STR MODEL | SACHIN M K |
| 2023/05/16 | E | SHEET 2 : LABEL DESCRIPTION SSSS - PRODUCTION BATCH OF THE WEEK CHANGE TO SSSS - SERIAL NUMBER (0001-9999) | RICKK2 |
| 2023/05/19 | F | SHEET 1 : NOTE ITEM 1 SIGNAL PAIR : SILVER-COAT COPPER , ADD OTHER OPTION TIN-COATED . | RICKK2 |

| | | | | | | |
|--|---|---------------------------|--------------------------------------|---|-----------------------------------|-------------------------------|
| FUNCTIONAL SYMBOLS FA = 0 FC = 0 FP = 0 | THIS DRAWING CONTAINS INFORMATION THAT IS PROPRIETARY TO MOLEX ELECTRONIC TECHNOLOGIES, LLC AND SHOULD NOT BE USED WITHOUT WRITTEN PERMISSION | | CURRENT REV DESC: | | molex | |
| | DIMENSION UNITS mm | SCALE 1:1 | | | | |
| DIVISIONAL SYMBOLS | GENERAL TOLERANCES (UNLESS SPECIFIED) | | EC NO: 750333 | | SLIMSAS 4X STR TO STR CABLE ASSY. | |
| | ANGULAR TOL ± 3.0° | | DRWN: RICKK2 2023/05/19 | | | |
| | 4 PLACES ± | CHK'D: RTSAI03 2023/05/23 | | PRODUCT CUSTOMER DRAWING | | |
| | 3 PLACES ± 0.2 | APPR: RTSAI03 2023/05/23 | | | | |
| | 2 PLACES ± 0.3 | INITIAL REVISION: | | | | |
| | 1 PLACE ± 0.4 | DRWN: LOU01 2018/06/28 | | | | |
| 0 PLACES ± | APPR: VPENG01 2018/08/13 | | DOCUMENT NUMBER 2073681000 | DOC TYPE PSD | DOC PART 000 | REVISION F |
| DRAFT WHERE APPLICABLE MUST REMAIN WITHIN DIMENSIONS | THIRD ANGLE PROJECTION | DRAWING D-SIZE | SERIES 207368 | MATERIAL NUMBER SEE P/N TABLE | CUSTOMER GENERAL MARKET | SHEET NUMBER 3 OF 3 |

| | | | |
|-----------------|----|--------------|---------------------|
| DOCUMENT STATUS | P1 | RELEASE DATE | 2023/05/23 02:34:14 |
|-----------------|----|--------------|---------------------|