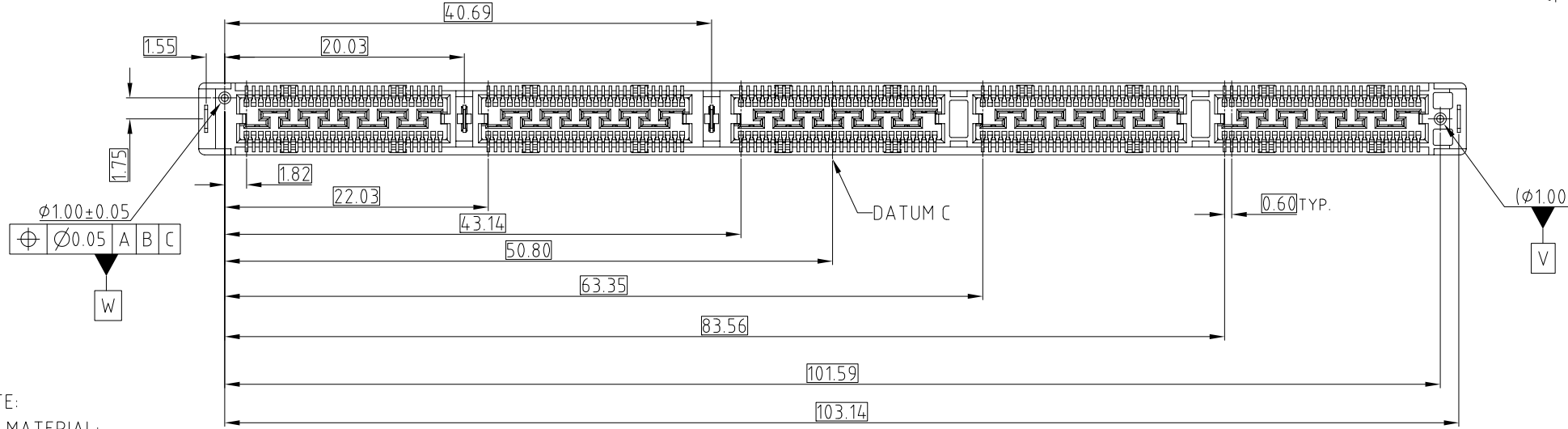
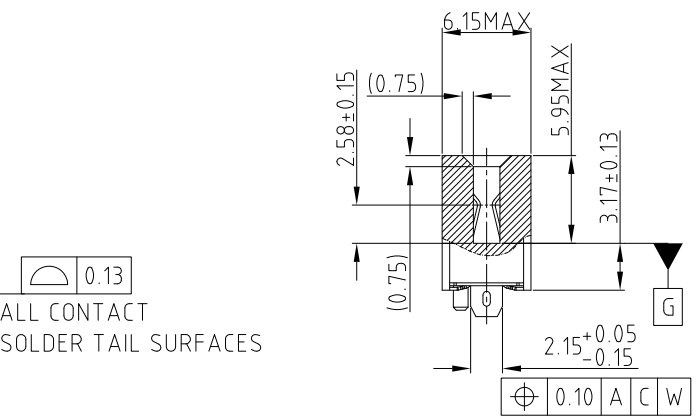
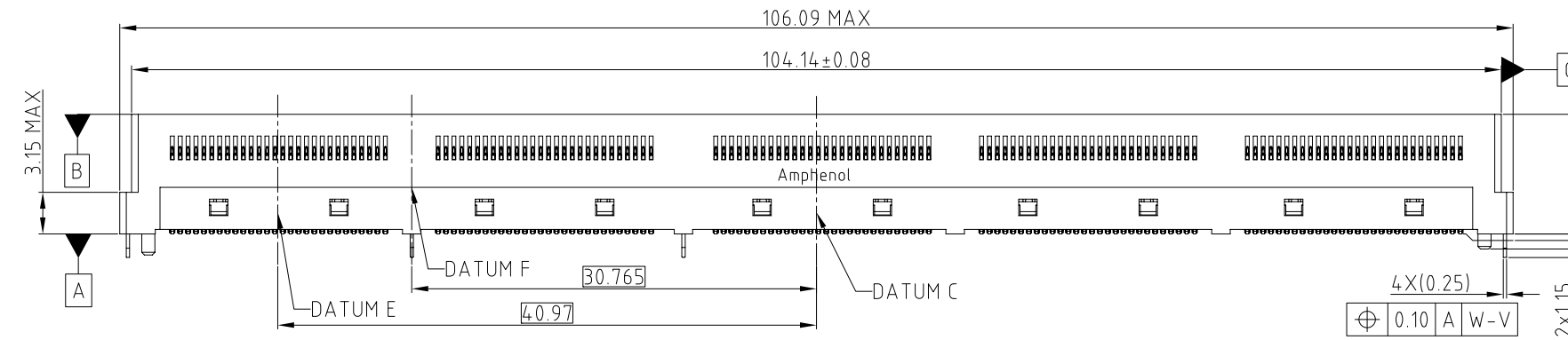
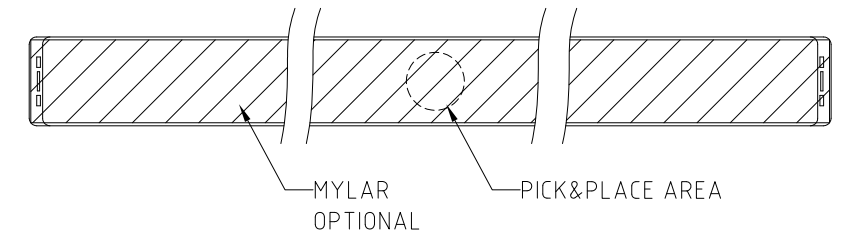
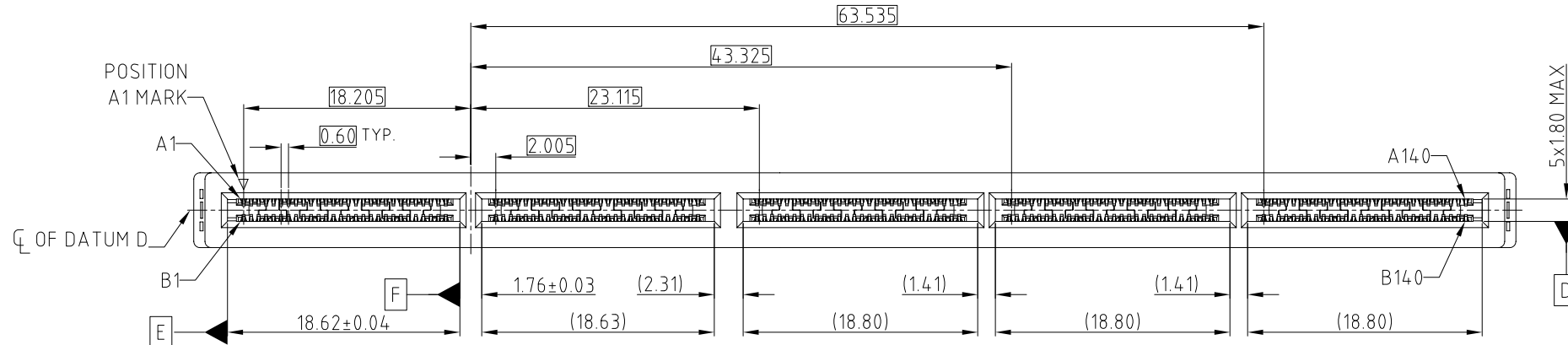


This document is the property of Amphenol Corporation and is delivered on the express condition that it is not to be disclosed, reproduced or used, in whole or in part, for manufacture or sale by anyone other than Amphenol Corporation without its prior consent, & that no right is granted to disclose or to use any information in this document.

# CUSTOMER DRAWING

REVISIONS				
SYM	ECN	DESCRIPTION	DATE	APPROVED
3	CD1820	ADD PACKING	Jul.2,2019	YH
4	CD1853	STANDARDIZE THE WAFER CONSTRUCTURE	Sep.24,2019	YH
5	CD2186	UPDATED THE BOARD LOCK SPEC	Jul.03,2020	YH
6	CD2430	UPDATED DIMENSION MARK METHOD FOLLOW SFF TA 1020 V1.0	Jan.21,2021	YH



P/N SYSTEM:  
ME102804010X01X

PACKING CODE | PLATING

1 SOFT TRAY W/ MYLAR	1 0.76um GOLD PLATED
2 HARD TRAY W/O MYLAR	2 0.38um GOLD PLATED
3 SOFT TRAY W/O MYLAR	3 GOLD FLASH
4 HARD TRAY W/ MYLAR	

- NOTE:
- MATERIAL:  
HOUSING: HIGH TEMPERATURE THERMOPLASTIC, BLACK, UL94-V0  
CONTACT: COPPER ALLOY  
BOARDLOCK: COPPER ALLOY
  - FINISHED:  
CONTACT: MATING AREA: Au THICKNESS PLEASE REFER TO P/N SYSTEM OVER 1.27-2.54 um NICKEL UNDERPLATED  
SOLDER AREA: 1.27 um MIN TIN OVER 1.27-2.54 um NICKEL UNDERPLATED  
BOARDLOCK: 1.27 um MIN TIN OVER 1.27-2.54 um NICKEL UNDERPLATED
  - ELECTRICAL PERFORMANCE:  
RATED CURRENT: 1.1A/PIN UP TO 12PINS  
LLCR: INITIAL 30mΩ MAX, DELTA 15mΩ MAX  
INSULATION RESISTANCE: 1000MΩ MIN
  - DURABILITY: 200 CYCLES.
  - MATERIAL IS BE FULFILLED RoHS & HALOGEN FREE.
  - ORDERING PN REFER TO PN SYSTEM



UNLESS OTHERWISE SPECIFIED TOLERANCES	
U.S.	METRIC
.X +/-	0.50
.XX +/-	0.25
.XXX +/-	0.15
FRACTIONS +/-	
ANGLES +/-	5°

FOR MATERIALS AND FINISHES SEE NOTES

REMOVE SHARP EDGES

DIMENSIONS

U.S.	INCHES
(METRIC)	(MM)

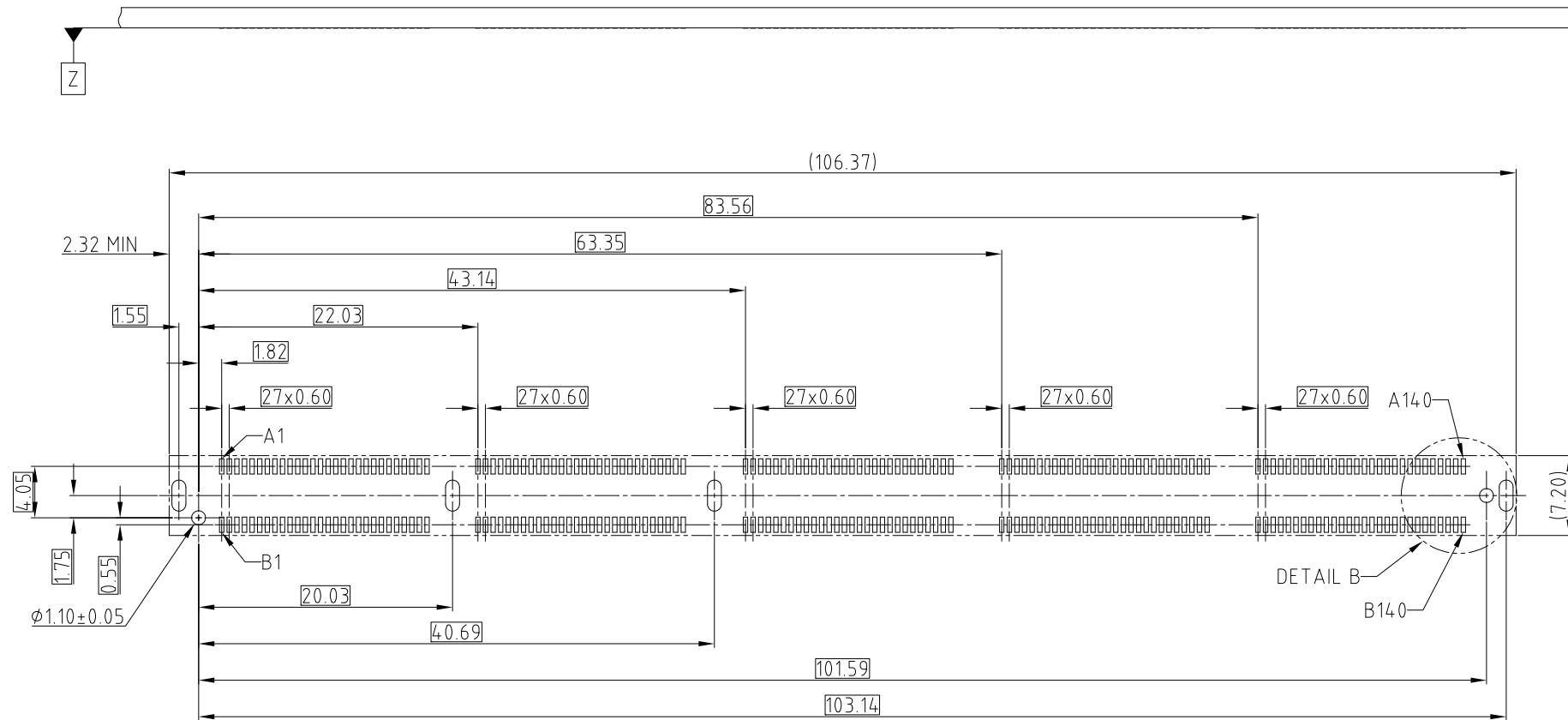
APPROVAL		DATE
DRAWN	Rocky	Jan.21,2021
CHECKED	Ly.Yi	Jan.21,2021
APPROVED		
DRAWING FILE :		
INTERNAL\DRAWING\CE\C ME102804010X01X		
ANGLE OF PROJECTION		

<b>Amphenol</b>		
TITLE		
MINI COOL EDGE CONNECTOR 280P V/T 0.6MM PITCH SMT		
SIZE	DRAWING NO.	REV.
A3	C ME102804010X01X	6
SCALE	NONE	SHEET 1 OF 5

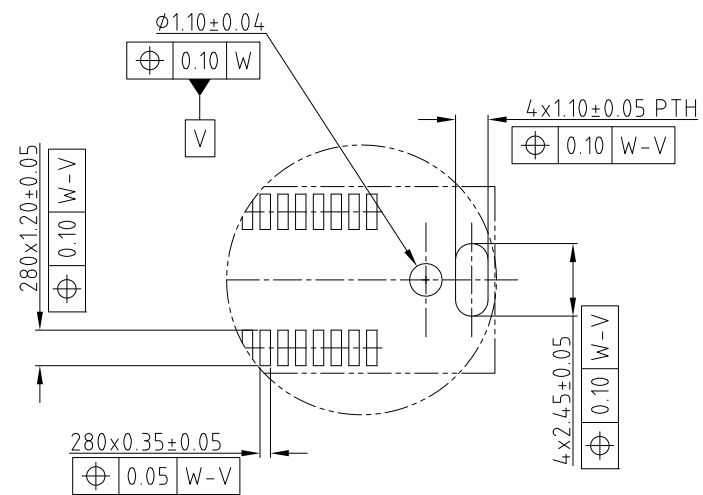
This document is the property of Amphenol Corporation and is delivered on the express condition that it is not to be disclosed, reproduced or used, in whole or in part, for manufacture or sale by anyone other than Amphenol Corporation without its prior consent, & that no right is granted to disclose or to use any information in this document.

CUSTOMER DRAWING

REVISIONS				
SYM	ECN	DESCRIPTION	DATE	APPROVED
		SEE SHEET 1		



RECOMMEND PCB LAYOUT



DETAIL B  
SCALE 2:1



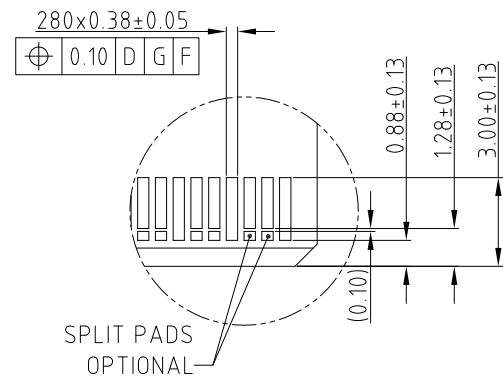
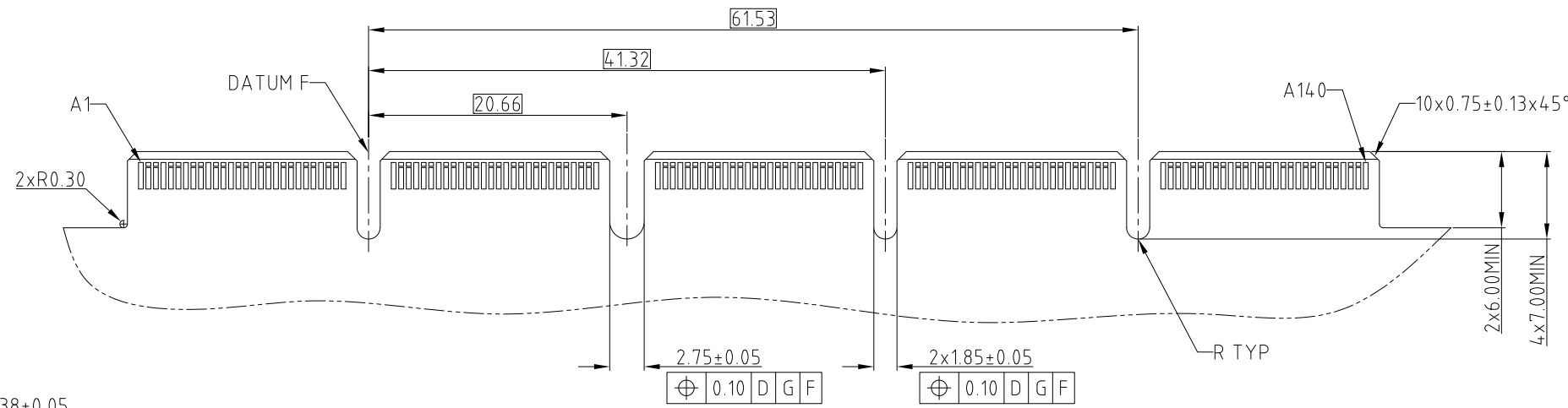
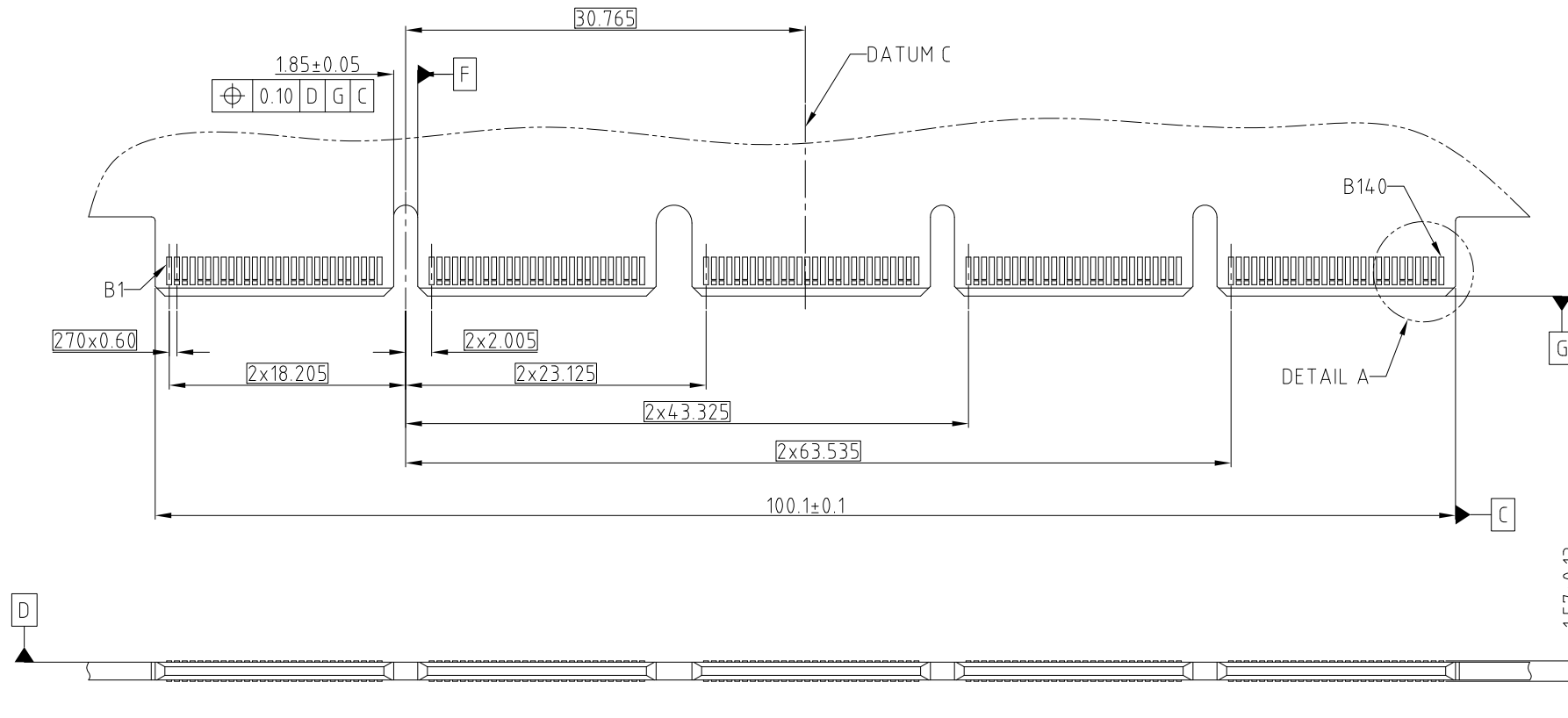
UNLESS OTHERWISE SPECIFIED TOLERANCES U.S. METRIC .X +/- .XX +/- .XXX +/- FRACTIONS +/- ANGLES +/- FOR MATERIALS AND FINISHES SEE NOTES REMOVE SHARP EDGES DIMENSIONS U.S. INCHES (METRIC) (MM)	APPROVAL	DATE
	DRAWN Rocky	Jan.21,2021
	CHECKED Ly.Yi	Jan.21,2021
	APPROVED	
	DRAWING FILE :	
	INTERNAL\DRAWING\CE\C ME102804010X01X	
	ANGLE OF PROJECTION	

Amphenol		
TITLE MINI COOL EDGE CONNECTOR 280P V/T 0.6MM PITCH SMT		
SIZE A3	DRAWING NO. C ME102804010X01X	REV. 6
SCALE	NONE	SHEET 2 OF 5

This document is the property of Amphenol Corporation and is delivered on the express condition that it is not to be disclosed, reproduced or used, in whole or in part, for manufacture or sale by anyone other than Amphenol Corporation without its prior consent, & that no right is granted to disclose or to use any information in this document.

# CUSTOMER DRAWING

REVISIONS				
SYM	ECN	DESCRIPTION	DATE	APPROVED
		SEE SHEET 1		



DETAIL A  
SCALE 2:1



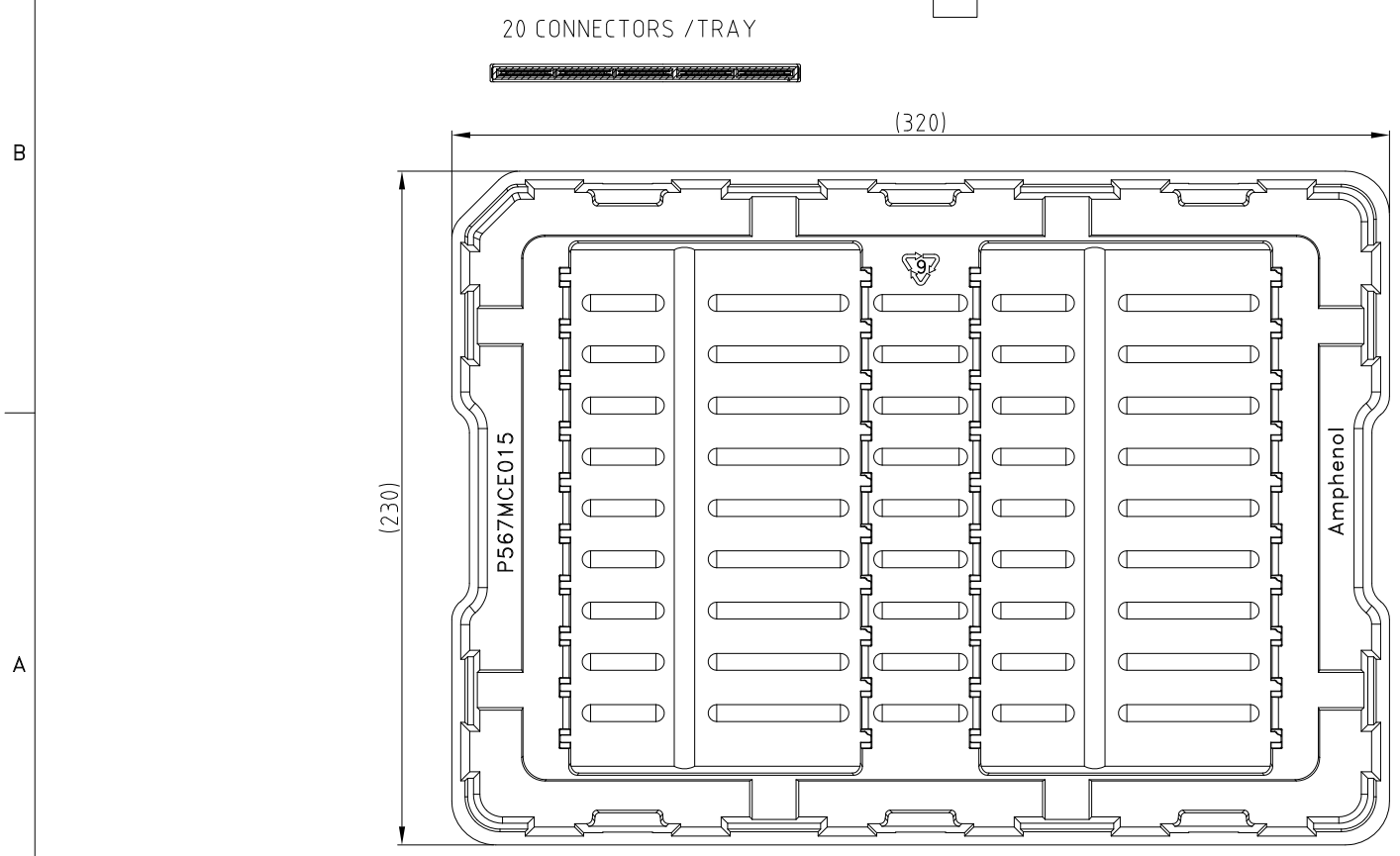
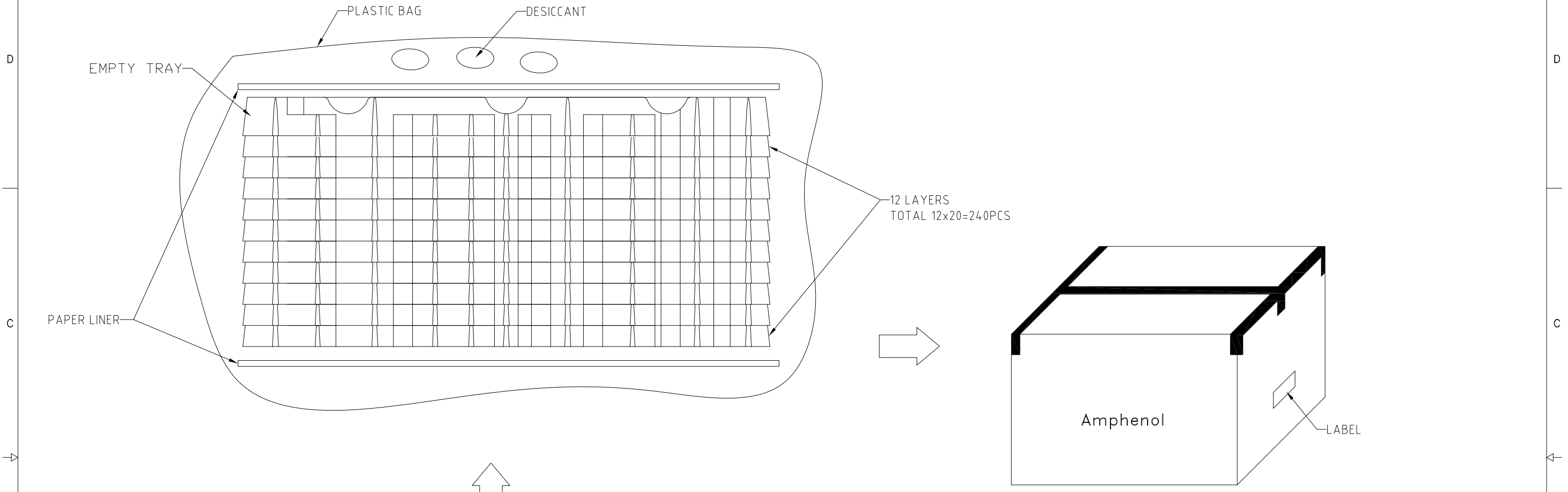
UNLESS OTHERWISE SPECIFIED TOLERANCES U.S. METRIC	APPROVAL	DATE
	DRAWN Rocky	Jan.21,2021
.X +/- .XX +/- .XXX +/- FRACTIONS +/- ANGLES +/-	CHECKED Ly.Yi	Jan.21,2021
	APPROVED	
FOR MATERIALS AND FINISHES SEE NOTES	DRAWING FILE : INTERNAL\DRAWING\CE\C ME102804010X01X	
REMOVE SHARP EDGES	ANGLE OF PROJECTION	
DIMENSIONS		
— U.S. — (METRIC)	INCHES (MM)	

Amphenol		
TITLE MINI COOL EDGE CONNECTOR 280P V/T 0.6MM PITCH SMT		
SIZE A3	DRAWING NO. C ME102804010X01X	REV. 6
SCALE	NONE	SHEET 3 OF 5

This document is the property of Amphenol Corporation and is delivered on the express condition that it is not to be disclosed, reproduced or used, in whole or in part, for manufacture or sale by anyone other than Amphenol Corporation without its prior consent, & that no right is granted to disclose or to use any information in this document.

CUSTOMER DRAWING

REVISIONS				
SYM	ECN	DESCRIPTION	DATE	APPROVED
		SEE SHEET 1		



240PCS / CARTON  
 PACKING FOR SOFT TRAY

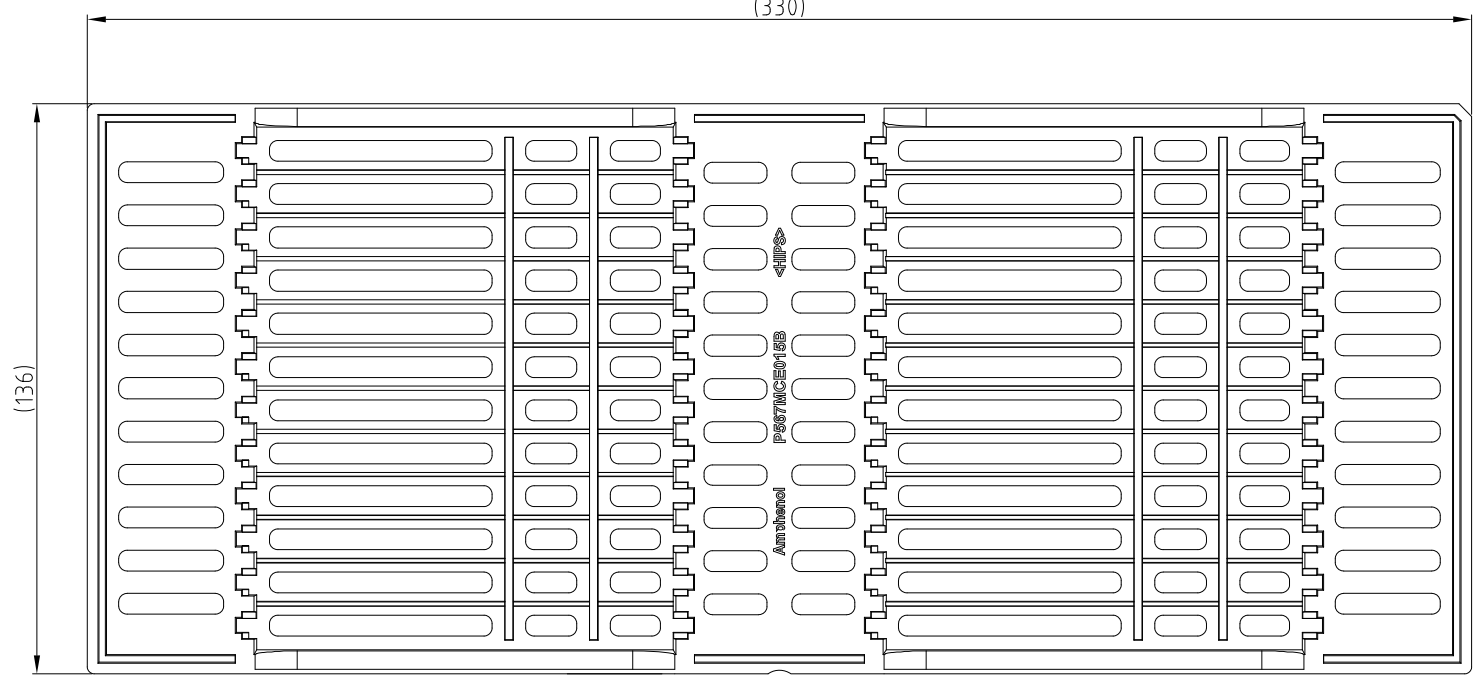
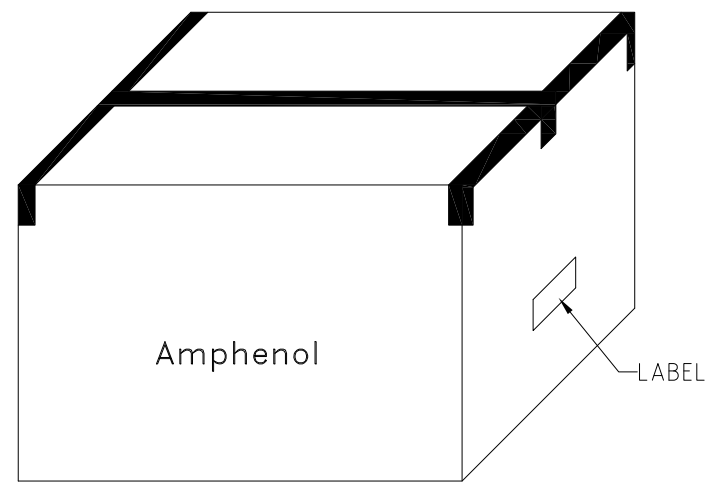
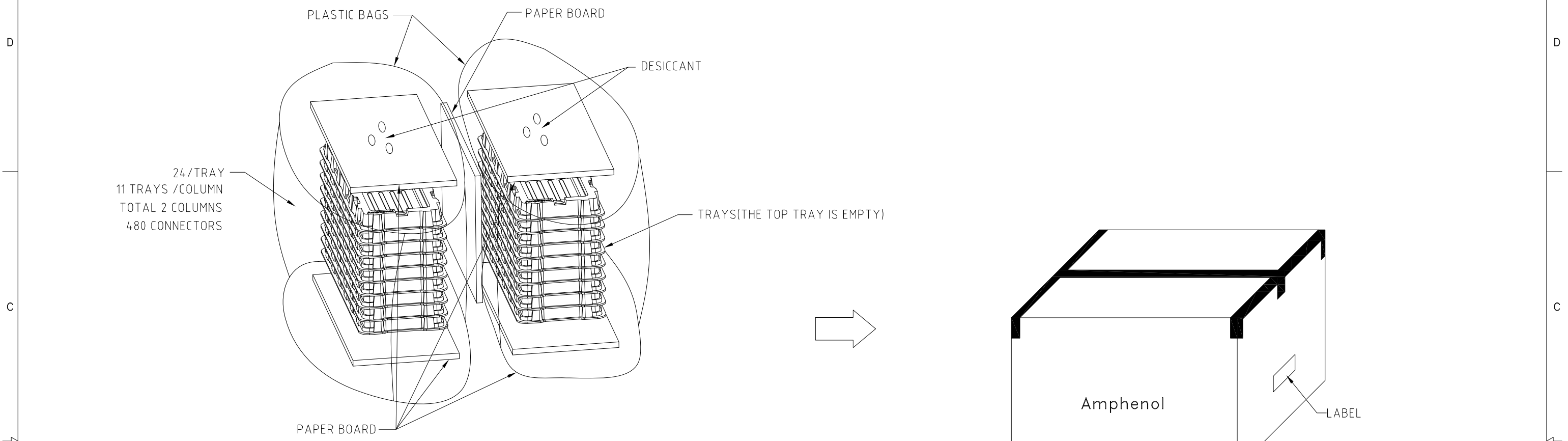


UNLESS OTHERWISE SPECIFIED TOLERANCES		APPROVAL		DATE		<h1>Amphenol</h1>
U.S. METRIC		DRAWN	Rocky	Jan.21,2021		
.X +/-		CHECKED	Ly.Yi	Jan.21,2021		
.XX +/-		APPROVED				
.XXX +/-		DRAWING FILE :		INTERNAL\DRAWING\CE\C ME102804010X01X		TITLE
FRACTIONS +/-		REMOVE SHARP EDGES		ANGLE OF PROJECTION		MINI COOL EDGE CONNECTOR
ANGLES +/-		DIMENSIONS				280P V/T 0.6MM PITCH SMT
SEE NOTES		U.S. INCHES		SIZE		DRAWING NO.
		(METRIC) (MM)		A3		C ME102804010X01X
				SCALE		NONE
				SHEET		4 OF 5
				REV.		6

This document is the property of Amphenol Corporation and is delivered on the express condition that it is not to be disclosed, reproduced or used, in whole or in part, for manufacture or sale by anyone other than Amphenol Corporation without its prior consent, & that no right is granted to disclose or to use any information in this document.

CUSTOMER DRAWING

REVISIONS				
SYM	ECN	DESCRIPTION	DATE	APPROVED
		SEE SHEET 1		



UNLESS OTHERWISE SPECIFIED TOLERANCES		APPROVAL		DATE		Amphenol		
U.S. METRIC		DRAWN	Rocky	Jan.21,2021				
.X +/-		CHECKED	Ly.Yi	Jan.21,2021		TITLE MINI COOL EDGE CONNECTOR 280P V/T 0.6MM PITCH SMT		
.XX +/-		APPROVED		DRAWING FILE : INTERNAL\DRAWING\CE\C ME102804010X01X				
.XXX +/-	SEE SHEET 1					SIZE DRAWING NO. REV.		
FRACTIONS +/-						A3	C ME102804010X01X	6
ANGLES +/-						SCALE	NONE	SHEET 5 OF 5
FOR MATERIALS AND FINISHES SEE NOTES		REMOVE SHARP EDGES		ANGLE OF PROJECTION				
DIMENSIONS								
U.S.	INCHES							
(METRIC)	(MM)							