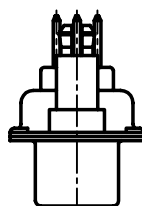
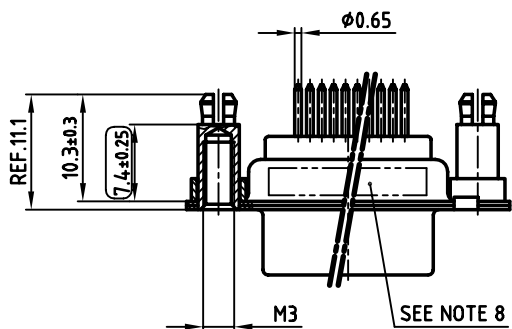
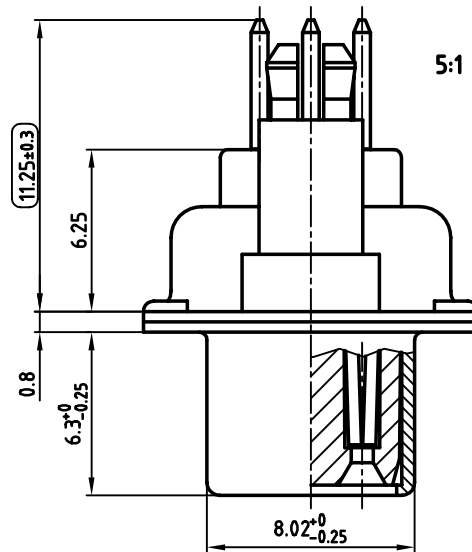
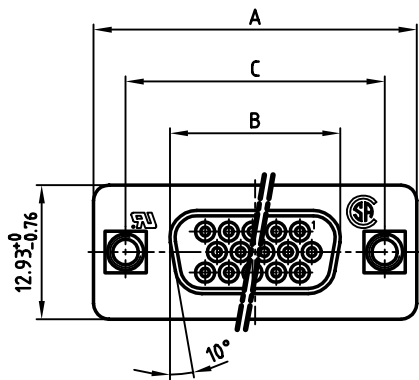


used for: D-SUB HD



NOTES:

1. METALSHELLS: STEEL; min. 320µ" TIN
2. INSULATORS: PBT GF UL 94 V-0, BLACK
3. CONTACTS: COPPER ALLOY
PLATING: 8µ" HARD GOLD OVER min. 50µ" NICKEL
4. THREADED SPACER CLIP: COPPER ALLOY; min. 200µ" TIN over 80µ" NICKEL
PCB-HOLE: $\phi 3.1 \pm 0.1$; PCB THICKNESS 1.6mm
5. COLLAR: COPPER ALLOY; min. 200µ" TIN over 80µ" NICKEL
6. P.C.B. HOLE DRILLINGS ON DRAWING NO.: 16V1IH6B
7. MAXIMUM TORQUE VALUE FOR THREAD: 6" LBS
8. CONNECTOR IS PART MARKED: PART-NO. CONEC Y/WW
9. = CHECK DIMENSION

POS.	A -0.76	B -0.25	C	Part NO.
15	31.19	16.46	25.00 ^{+0.12} / _{-0.13}	164A17409X
26	39.52	24.79	33.30 ^{+0.15} / _{-0.1}	164A17419X
44	53.42	38.50	47.04 ±0.13	164A17429X
62	69.70	54.96	63.50 ±0.13	164A17439X

Directive 2002/95/EC
RoHS*
Compliant

APPROVAL * FREIGABE * DEBLOCAGE * AUTORIZACION * APPROVAL

CUSTOMER APPROVAL DATE:

NAME: TITLE:

COMPANY NAME:

APPROVAL * FREIGABE * DEBLOCAGE * AUTORIZACION * APPROVAL

THIS DRAWING MAY NOT BE COPIED OR REPRODUCED IN ANY WAY, AND MAY NOT BE PASSED ON TO A THIRD PARTY, WITHOUT WRITTEN PERMISSION. OWNERSHIP AND COPYRIGHT OF CONEC GmbH DO NOT ALTER CAD DRAWING BY HAND

rev.	description	date	name

tolerance		scale:	2:1 (5:1)
	dim. in mm	material:	SEE NOTES
2004	date	name	title:
drawn	09.02.	Lehnenkühler	D-SUB HD FEMALE
appd.	09.02.	Mickenbecker	15-62pos. SOLDER PIN STRAIGHT
norm	DIN 41652		with threaded spacer clip
d-old			dwg no: AutoCAD 2000
CONEC			DIN-A
			3
part no: SEE TABLE			sh: 1/1

dwg no:	AutoCAD 2000	DIN-A
	16K1A1095	3
		sh: 1/1