

MATERIALS AND FINISHES:

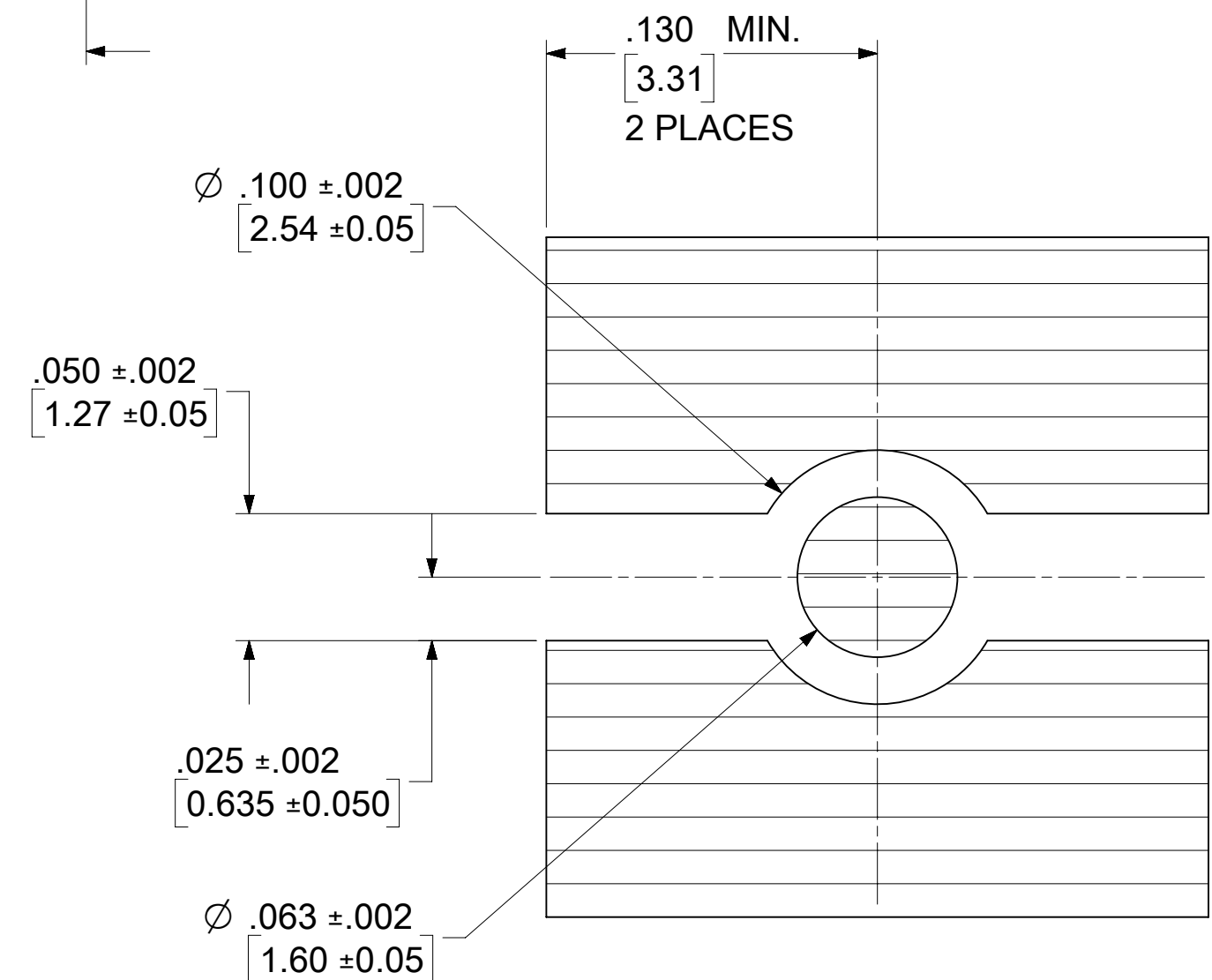
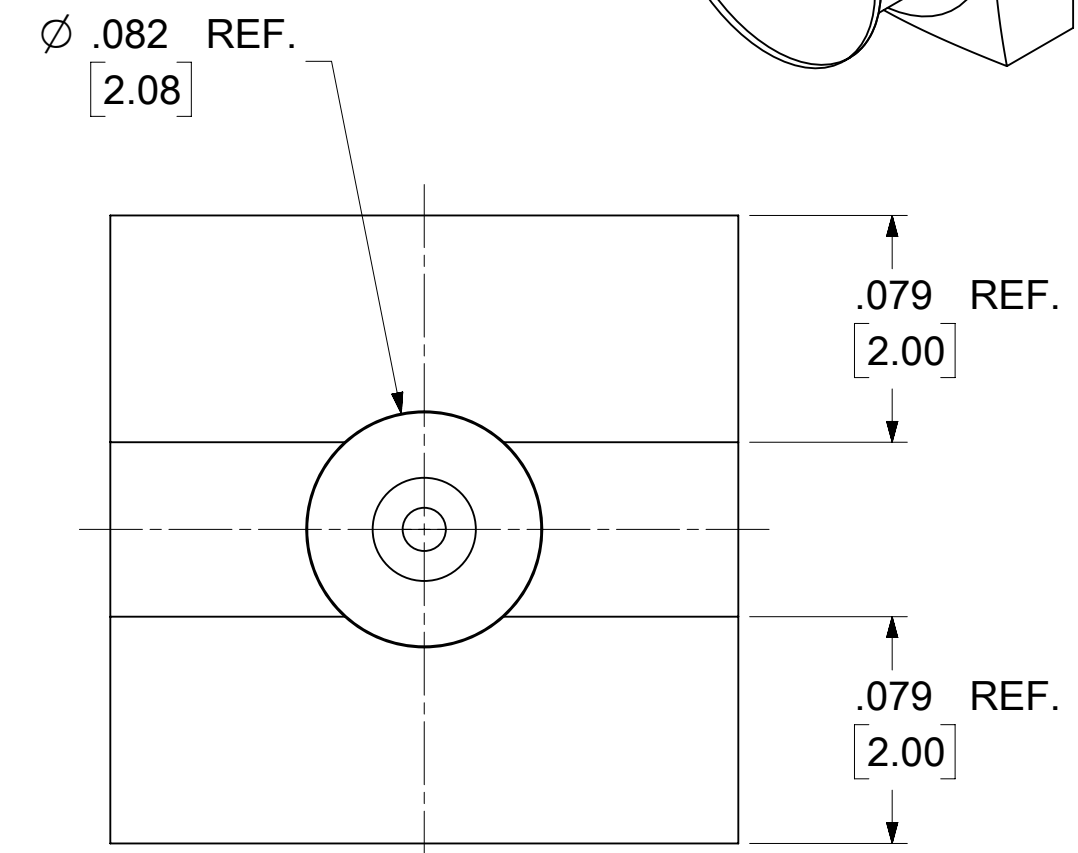
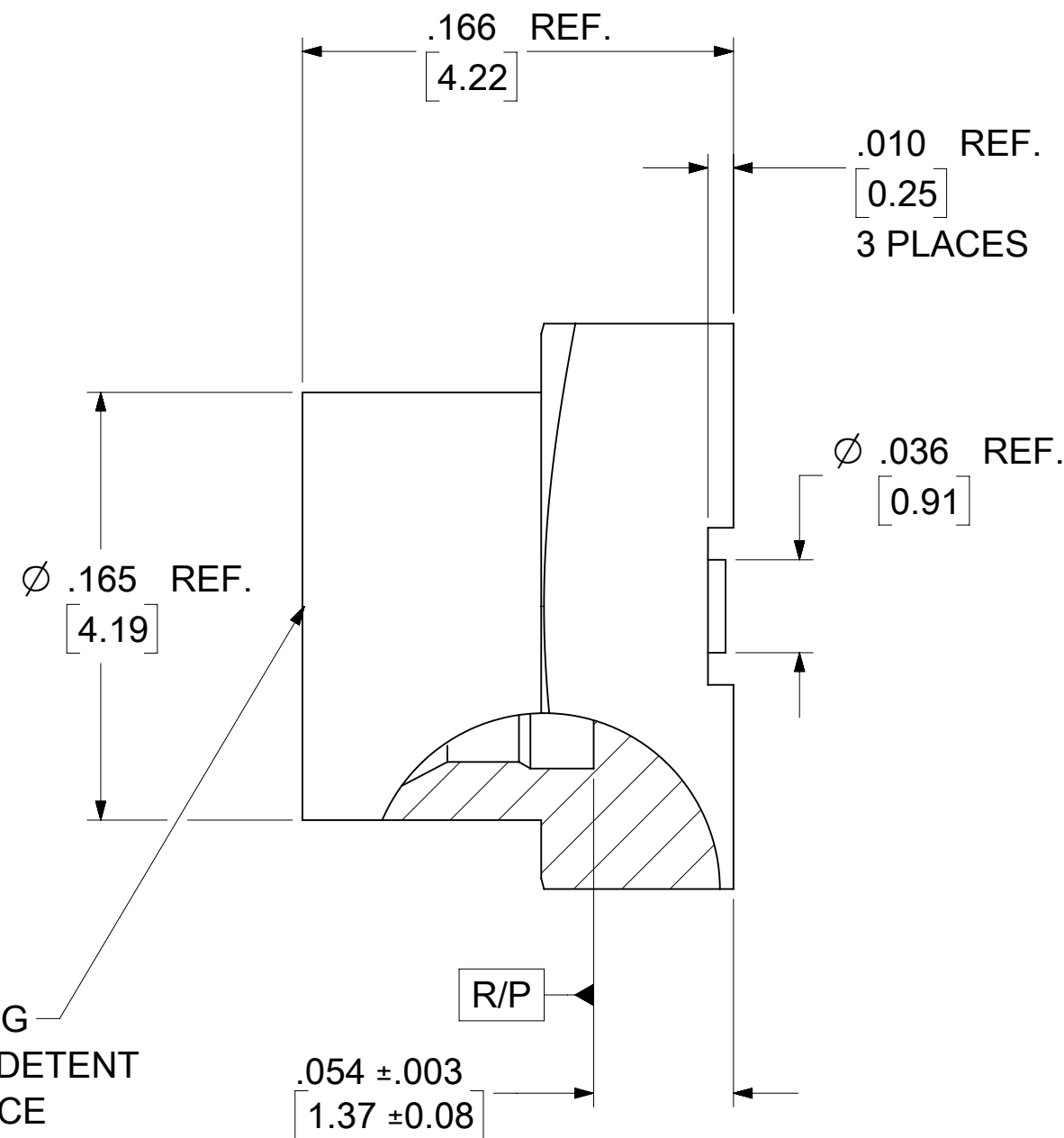
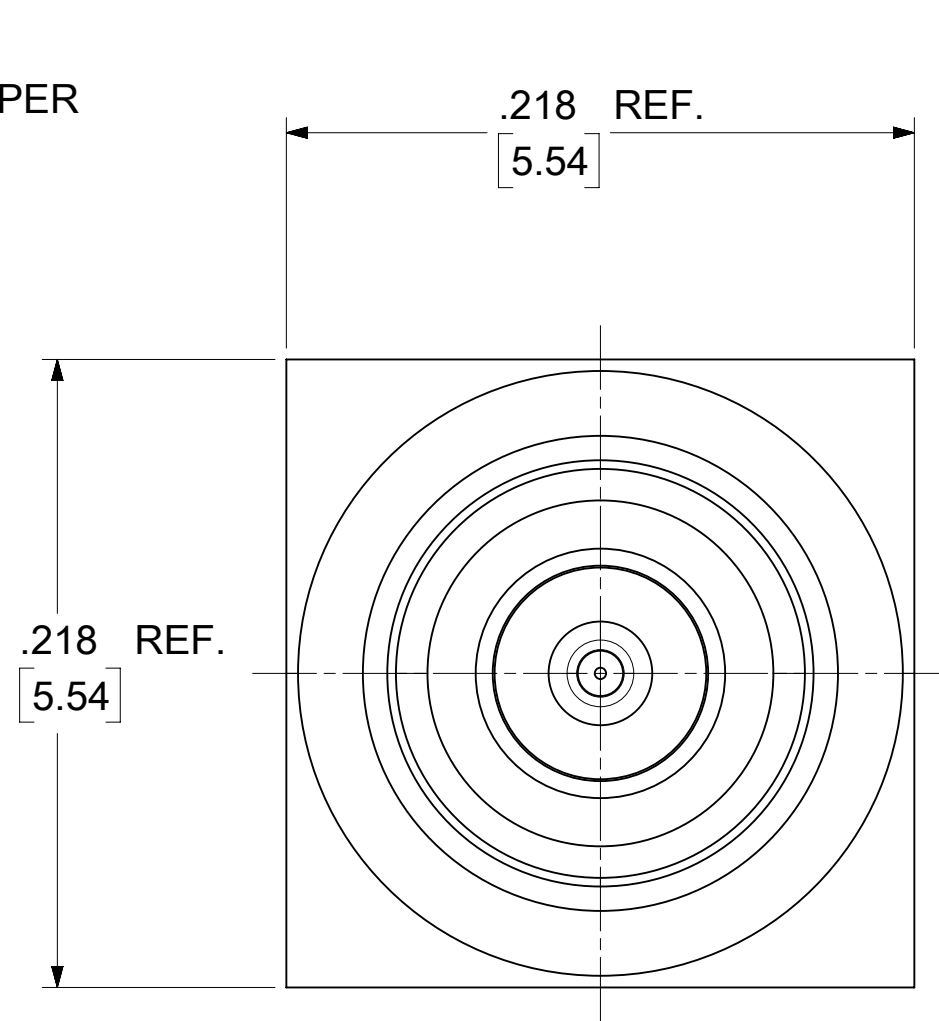
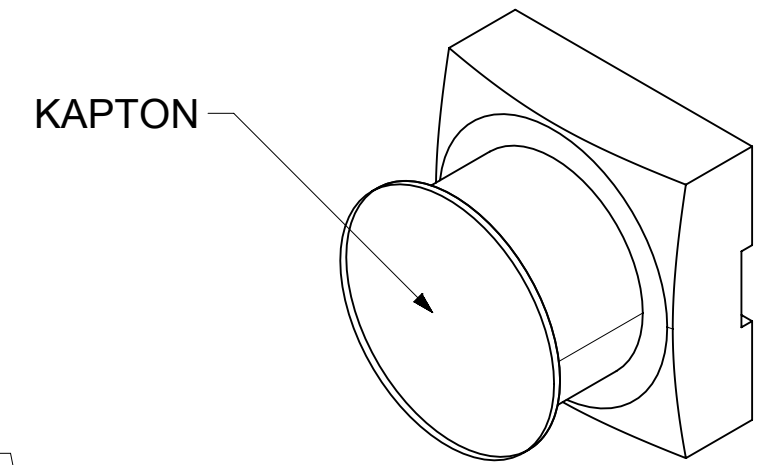
BODY: BRASS  
 PLATED: GOLD (10μ-in MIN)  
 OVER NICKEL (100μ-in MIN)

CENTER CONTACT: BERYLLIUM COPPER  
 PLATED: GOLD (30μ-in MIN)  
 OVER NICKEL (100μ-in MIN)

INSULATOR: PTFE

KAPTON: POLYIMIDE  
 COLOR: BLACK

SEE SHEETS 2 & 3 FOR PACKAGING  
 INSTRUCTIONS)



RECOMMENDED PCB LAYOUT

LABEL FORMAT FOR  
 73415-5011

PART NUMBER: 73415-5010  
 ORDER NUMBER: 73415-5011  
 MOLEX  
 DATE: YYWW

73415-5011	73415-5010 ONE PER BAG	895420470
73415-5010	TAPE AND REEL	SEE SHEET 2 & 3
PART NO.	DESCRIPTION	PACKING SPEC

PS-89675-3320	PRODUCT SPECIFICATION
MIL-STD-348B, FIG. 326.3	INTERFACE SMP LD
SPECIFICATION	DESCRIPTION

DOCUMENT STATUS	P1	RELEASE DATE	2022/08/29	03:27:21
-----------------	----	--------------	------------	----------

FUNCTIONAL SYMBOLS	THIS DRAWING CONTAINS INFORMATION THAT IS PROPRIETARY TO MOLEX ELECTRONIC TECHNOLOGIES, LLC AND SHOULD NOT BE USED WITHOUT WRITTEN PERMISSION				
	DIMENSION UNITS	SCALE	CURRENT REV DESC: ADD 73415-5011 PER EWR# 15321-C		
▽A = 0	INCH/MM	NTS	EC NO: 719080 DRWN: ELIN 2022/08/24 CHK'D: YCHENG 2022/08/29 APPR: YCHENG 2022/08/29		
▽E = 0	GENERAL TOLERANCES (UNLESS SPECIFIED)				
▽P = 0	ANGULAR TOL ± 0.5°		INITIAL REVISION:		
DIVISIONAL SYMBOLS	4 PLACES	±	DRWN: YCHENG 2009/05/08		
	3 PLACES	±	APPR: GMH 2004/06/10		
	2 PLACES	± 0.25	SERIES 73415		
1 PLACE	±	MATERIAL NUMBER SEE TABLE			
0 PLACES	±	CUSTOMER GENERAL MARKET			
DRAFT WHERE APPLICABLE MUST REMAIN WITHIN DIMENSIONS		THIRD ANGLE PROJECTION	DRAWING C-SIZE	SHEET NUMBER 73415	SHEET NUMBER 1 OF 3

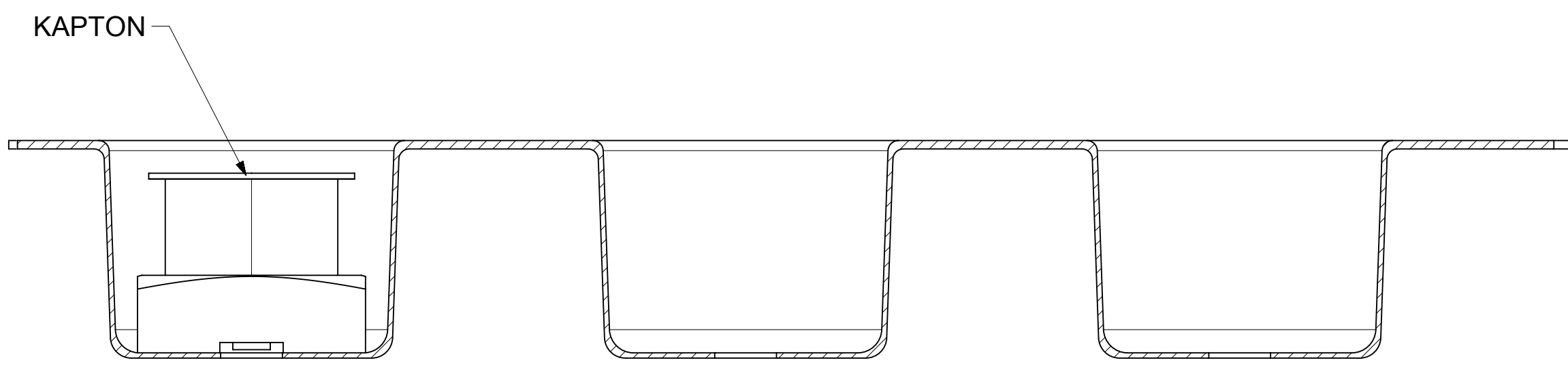
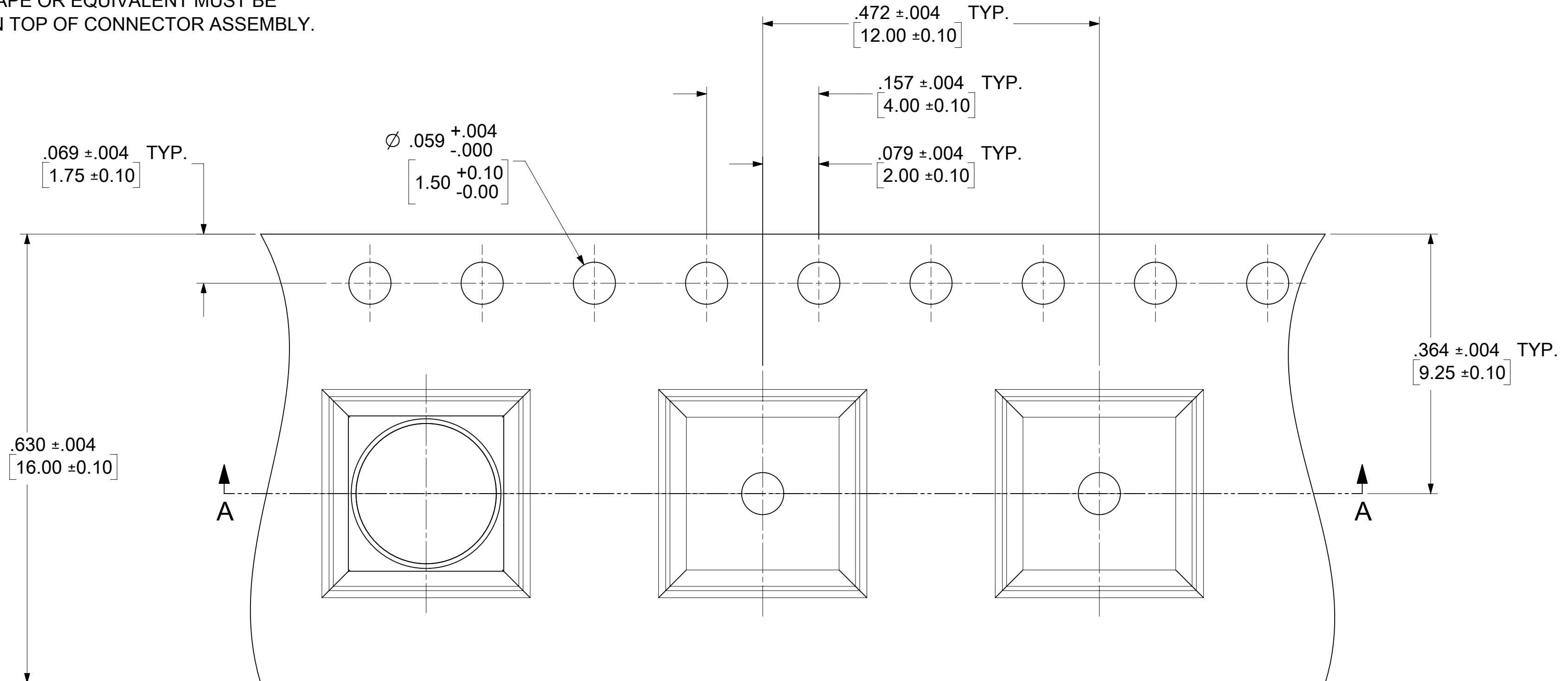


SMP PLUG WITH LIMITED  
 DETENT 50 OHMS EWR-2470 SMP-P/RA

PRODUCT CUSTOMER DRAWING

DOCUMENT NUMBER SD-73415-501  
 DOC TYPE PSD  
 DOC PART 001  
 REVISION A4

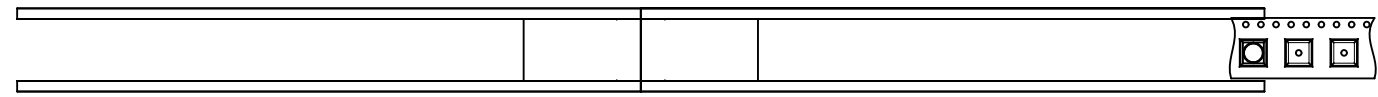
NOTE:  
 1. 10 PITCHES CUMULATIVE TOLERANCE ±0.20(.008)  
 2. KAPTON TAPE OR EQUIVALENT MUST BE PLACED ON TOP OF CONNECTOR ASSEMBLY.



SECTION A-A

FUNCTIONAL SYMBOLS										THIS DRAWING CONTAINS INFORMATION THAT IS PROPRIETARY TO MOLEX ELECTRONIC TECHNOLOGIES, LLC AND SHOULD NOT BE USED WITHOUT WRITTEN PERMISSION									
DIMENSION UNITS					SCALE					CURRENT REV DESC: ADD 73415-5011 PER EWR# 15321-C									
INCH/MM					NTS														
GENERAL TOLERANCES (UNLESS SPECIFIED)										EC NO: 719080									
ANGULAR TOL ± 0.5°										DRWN: ELIN					2022/08/24				
4 PLACES ±										CHK'D: YCHENG					2022/08/29				
3 PLACES ±										APPR: YCHENG					2022/08/29				
2 PLACES ± 0.25										INITIAL REVISION:					DOCUMENT NUMBER				
1 PLACE ±										DRWN: YCHENG					SD-73415-501				
0 PLACES ±										APPR: GMH					PSD 001 A4				
DRAFT WHERE APPLICABLE MUST REMAIN WITHIN DIMENSIONS					THIRD ANGLE PROJECTION					DRAWING					SERIES				
										C-SIZE					73415				
MATERIAL NUMBER					CUSTOMER					SHEET NUMBER									
SEE TABLE					GENERAL MARKET					2 OF 3									

DOCUMENT STATUS	P1	RELEASE DATE	2022/08/29	03:27:21
-----------------	----	--------------	------------	----------



HANDLING DIRECTION →

LABEL:  
 - ORDER NO.  
 - QUANTITY  
 - PART NUMBER  
 - LOT NO.

80mm EMPTY UNITS MIN.

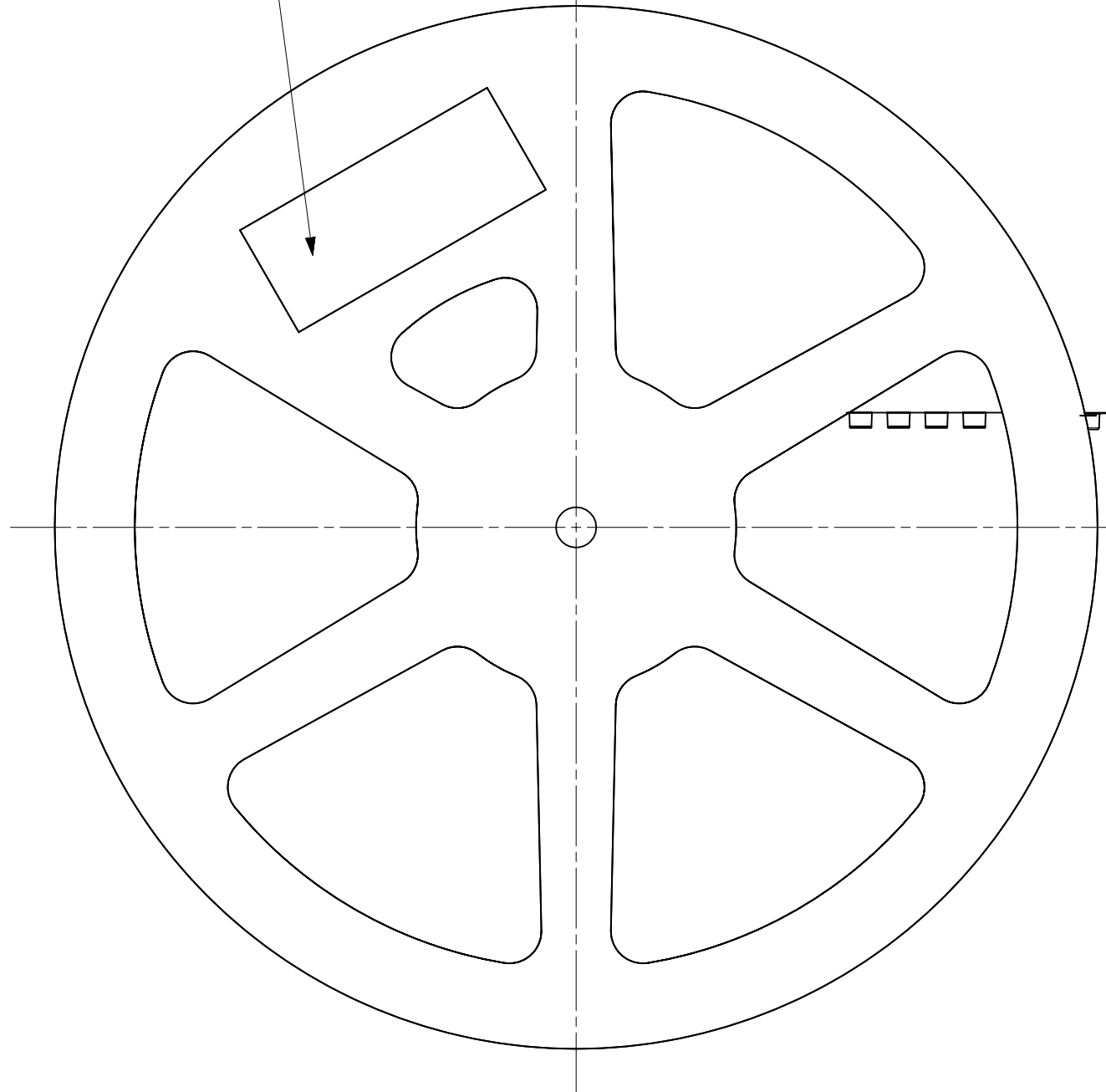
ORDER QUANTITY  
 PACKED WITH 1000  
 COMPONENTS

250mm EMPTY  
 UNITS MIN.

.646 REF.  
 [16.40]

Ø 12.993 REF.  
 [330.02]

Ø 3.937 REF.  
 [100.00]



9.055 MIN.  
 [230.00]

HANDLING DIRECTION →

THIS DRAWING CONTAINS INFORMATION THAT IS PROPRIETARY TO MOLEX ELECTRONIC TECHNOLOGIES, LLC AND SHOULD NOT BE USED WITHOUT WRITTEN PERMISSION										
FUNCTIONAL SYMBOLS	DIMENSION UNITS	SCALE	CURRENT REV DESC: ADD 73415-5011 PER EWR# 15321-C							
$\frac{F}{A} = 0$	INCH/MM	NTS	EC NO: 719080 DRWN: ELIN 2022/08/24 CHK'D: YCHENG 2022/08/29 APPR: YCHENG 2022/08/29 INITIAL REVISION: DRWN: YCHENG 2009/05/08 APPR: GMH 2004/06/10							
$\frac{F}{C} = 0$	GENERAL TOLERANCES (UNLESS SPECIFIED)									
$\frac{F}{P} = 0$	ANGULAR TOL ± 0.5°									
DIVISIONAL SYMBOLS	4 PLACES	±	PRODUCT CUSTOMER DRAWING DOCUMENT NUMBER: SD-73415-501 DOC TYPE: PSD DOC PART: 001 REVISION: A4 MATERIAL NUMBER: SEE TABLE CUSTOMER: GENERAL MARKET SHEET NUMBER: 3 OF 3							
	3 PLACES	±								
	2 PLACES	± 0.25								
	1 PLACE	±								
	0 PLACES	±	DRAFT WHERE APPLICABLE MUST REMAIN WITHIN DIMENSIONS		THIRD ANGLE PROJECTION	DRAWING	SERIES	MATERIAL NUMBER	CUSTOMER	SHEET NUMBER
						C-SIZE	73415	SEE TABLE	GENERAL MARKET	3 OF 3