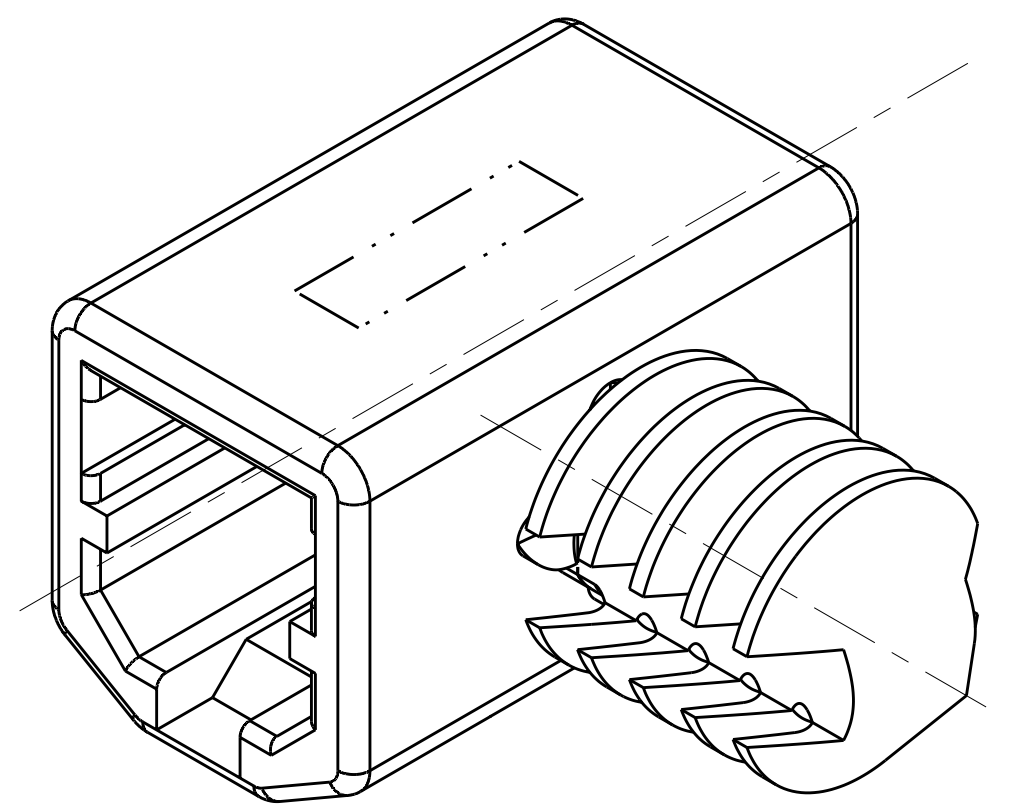
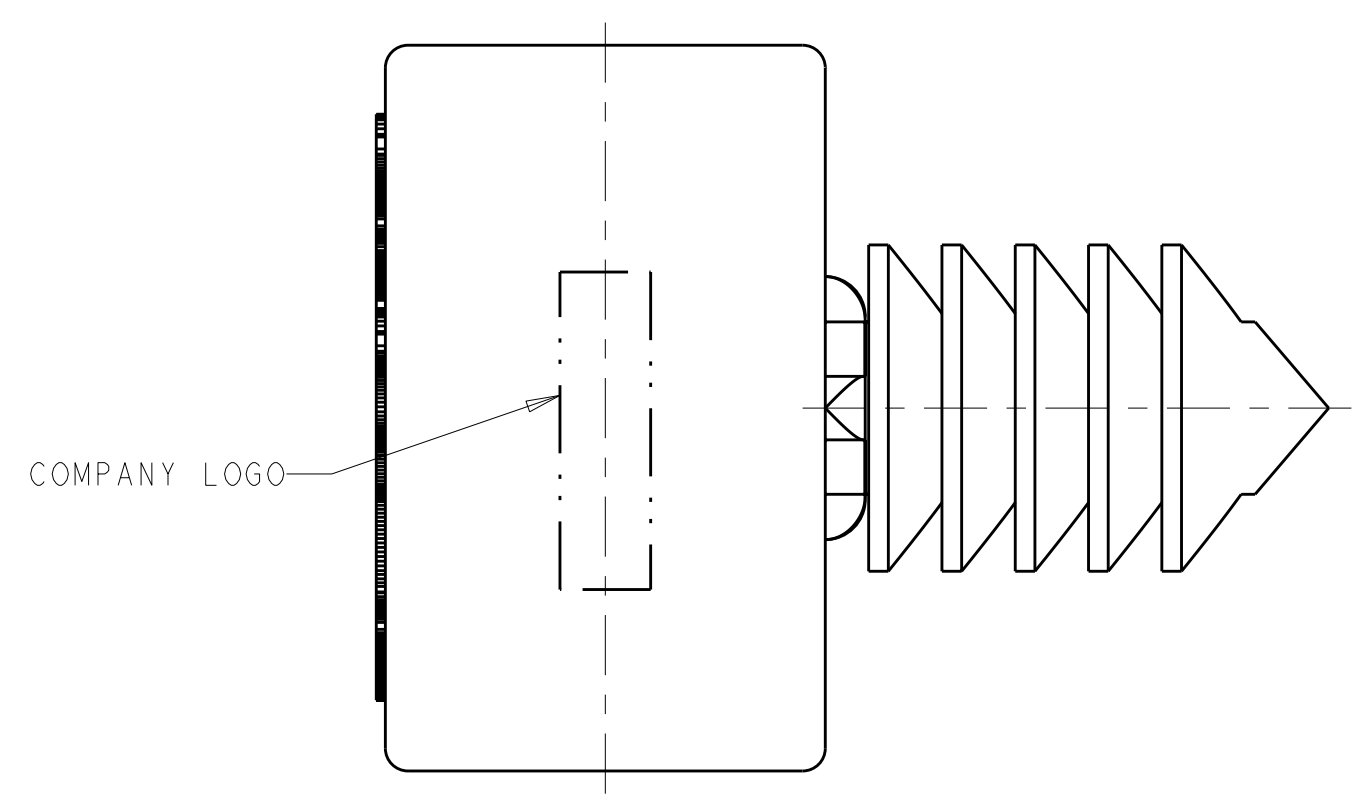
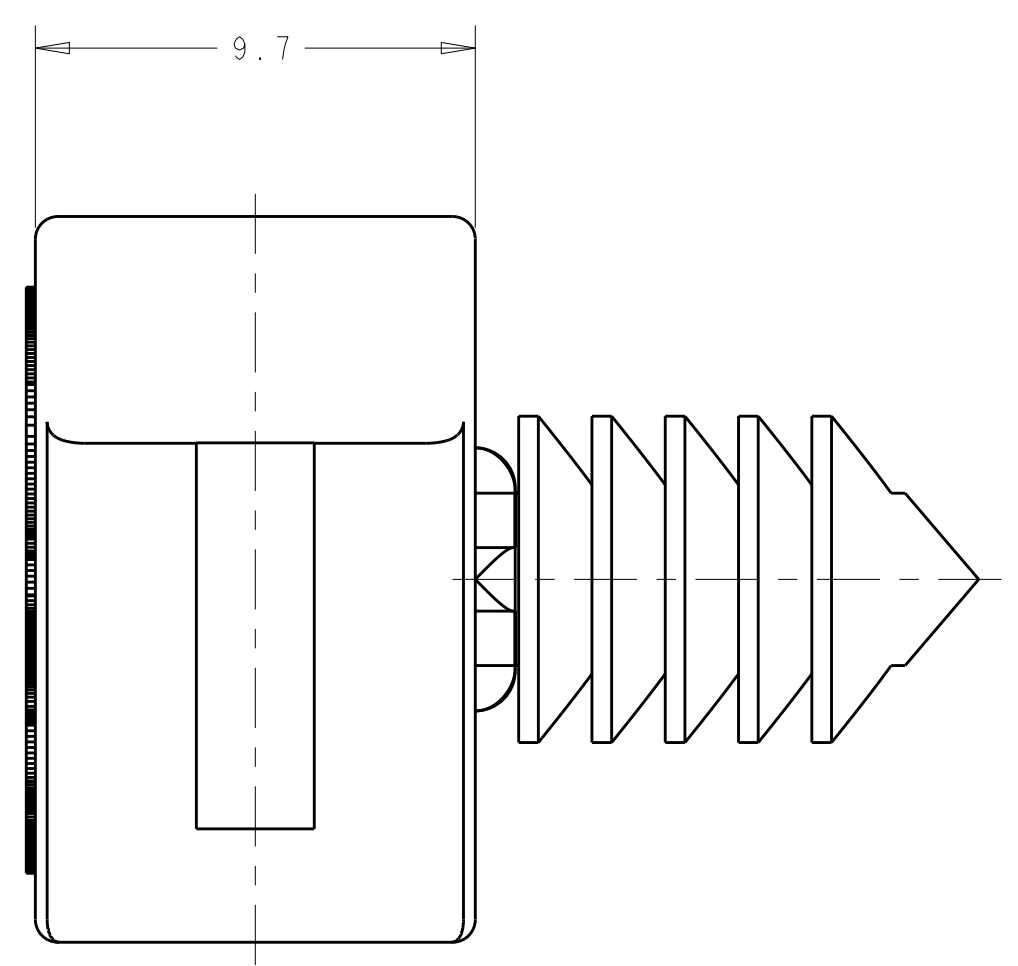
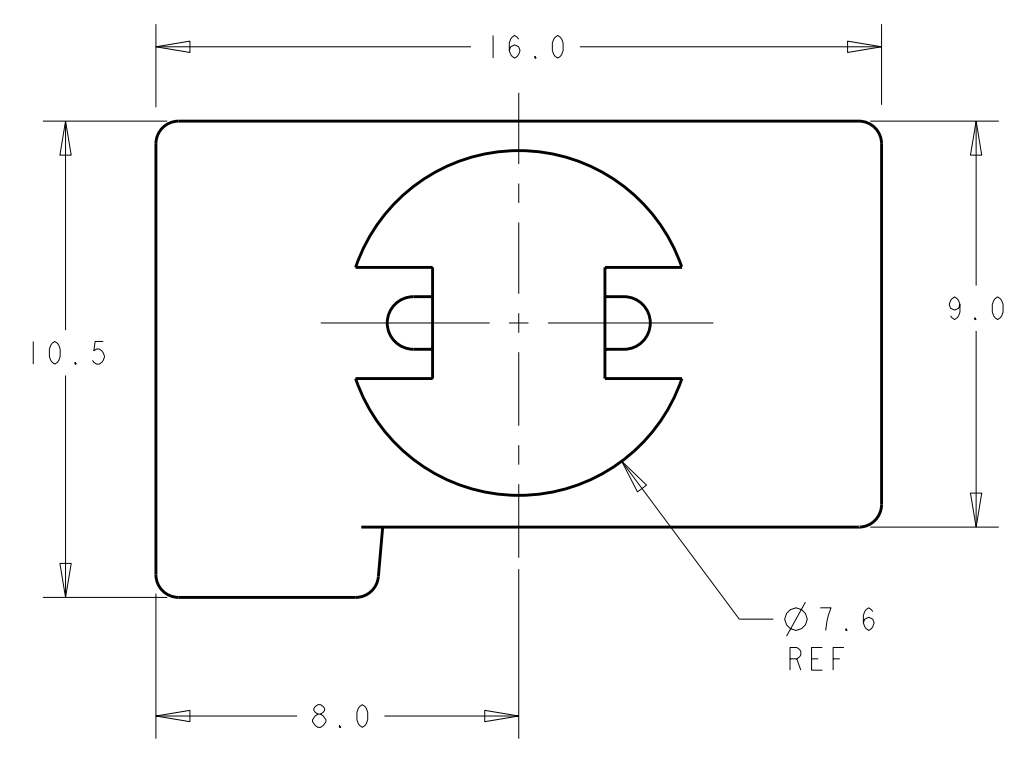
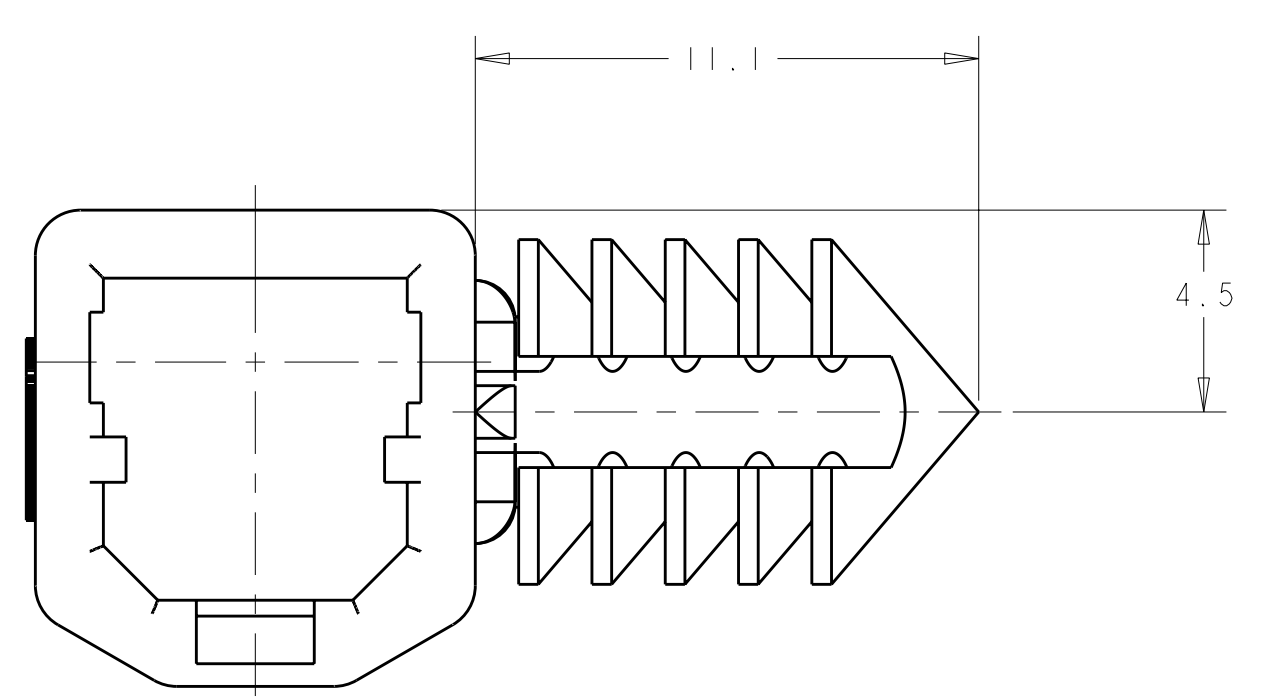
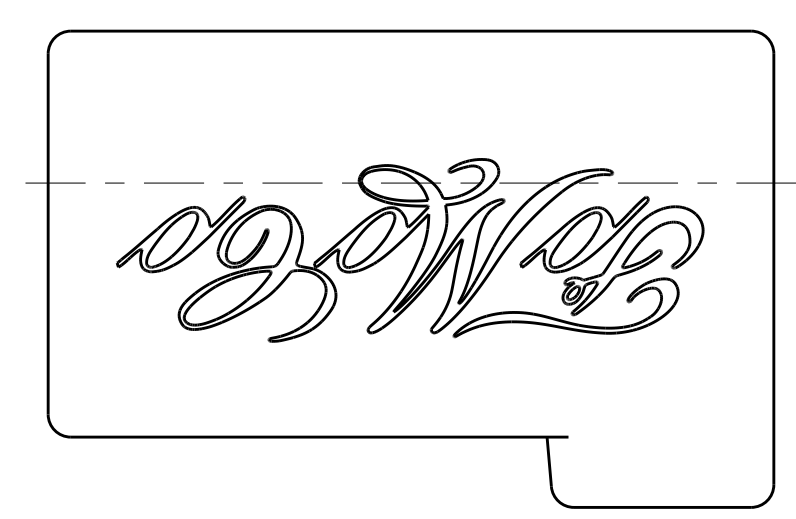


LOC	DIST	REVISIONS			
P	LTB	DESCRIPTION	DATE	DWN	APVD
04		REVISED	08OCT2002	LBP	SA
A		REVISED PER EC# 0K80-0360-02	20DEC2002	LBP	SSA
A1		REV PER ECR-10-008554	21APR2010	VSS	SA



- NOTES:  
 1. DELETE CAP FOR PN 174056.  
 2. RECOMMENDED MOUNTING HOLE 6.5 MM DIA.  
 RECOMMENDED PANEL THICKNESS 0.56-5.10MM.



PANEL DETAIL  
 PANEL THICKNESS TO BE 0.56-5.10

BLACK	NYLON	1438381-2
COLOR	MATERIAL	PART NUMBER

<small>THIS DRAWING IS UNPUBLISHED. RELEASED FOR PUBLICATION. ALL RIGHTS RESERVED. THIS IS SUBJECT TO CHANGE WITHOUT NOTICE. TOLERANCES UNLESS OTHERWISE SPECIFIED:</small>		DWN J MCNEAL 29JUL2002 CHK S ASHLEY 29JUL2002 APVD S ASHLEY 29JUL2002	Tyco Electronics Harrisburg, PA 17105-3608
DIMENSIONS: mm 	TOLERANCES UNLESS OTHERWISE SPECIFIED: 0 PLC ± 1 PLC ±0.5 2 PLC ±0.5 3 PLC ± 4 PLC ± ANGLES ±1° FINISH	NAME PRODUCT SPEC APPLICATION SPEC WEIGHT CUSTOMER DRAWING	DELETED CAP 040 SERIES MULTILOCK 2 POSN CAP HOUSING SIZE CAGE CODE DRAWING NO A1 00779 C=1438381 SCALE 4:1 SHEET 1 OF 1 REV A1