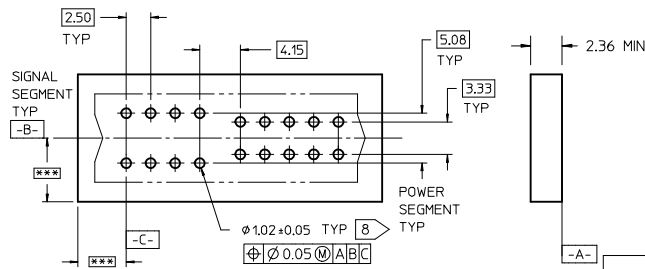
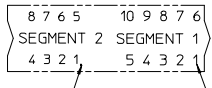
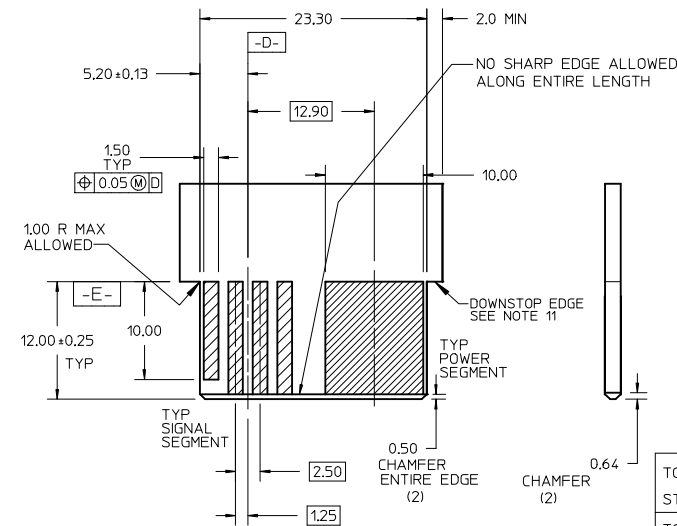
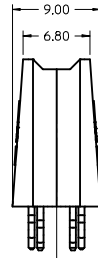
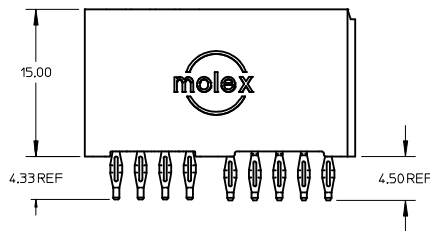


- NOTES:
- MATERIAL: HOUSING - LCP, UL94V-0, BLACK  
MATERIAL: TERMINAL - COPPER ALLOY
  - FINISH: SELECT GOLD; 30 μ IN MIN IN CONTACT AREA  
SELECT TIN; 150 μ IN MIN IN PC TAIL AREA  
BOTH OVER NICKEL: 50 μ IN MIN
  - PRODUCT SPECIFICATION: PS-45719-001.
  - PACKAGING SPECIFICATION: PK-45714-001.
  - PCB THICKNESS: 2.36 MIN
  - EDGE CARD THICKNESS: 1.57±0.08
  - DIMENSIONS GIVEN ACROSS CENTERLINES ARE SYMMETRICAL ABOUT THOSE CENTERLINES WITHIN HALF THE TOTAL TOLERANCE.
  - PCB HOLE SPECIFICATION: SEE PS-45719-001
  - PART IS ROHS COMPLIANT. SEE ES-45482-999 FOR LABEL REQUIREMENTS.
  - POWER CONTACTS ARE LUBRICATED.
  - THIS SURFACE WILL CONTACT HOUSING WHEN EDGE CARD IS FULLY SEATED.



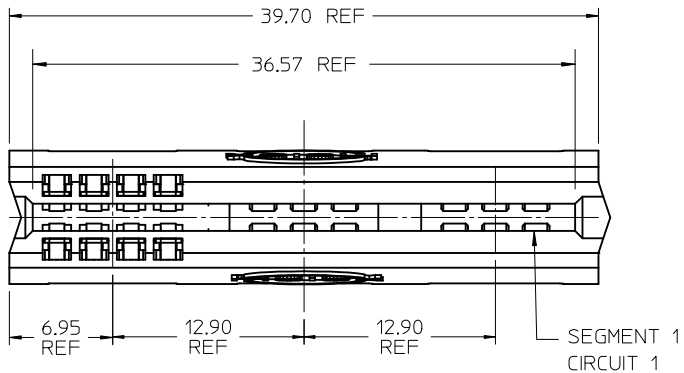
RECOMMENDED EDGE CARD LAYOUT:  
EDGE CARD THICKNESS: 1.57/062  
PLATING: GOLD 30 μ INCHES MIN  
OVER 150 μ INCHES NICKEL

TOOLING STATUS	MATERIAL NUMBER	SEGMENT	SEGMENT
TOOLED	45912-0001	SIGNAL	POWER
TOOLED	45912-0002	POWER	SIGNAL
--	SEE 45845	SIGNAL	SIGNAL
--	SEE 45714	POWER	POWER

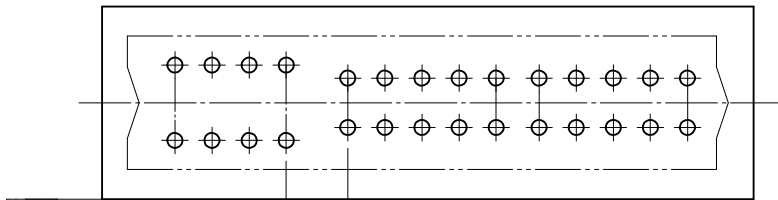
PCB LAYOUT: COMPONENT SIDE  
\*\*\* - TO BE DETERMINED BY CUSTOMER

ADD DATUM E EC NO: UCP2014-5371 DRWN: JSCHAFER 2014/08/27 CHKD: APPR: APATEL 2014/09/03	QUALITY SYMBOLS	GENERAL TOLERANCES (UNLESS SPECIFIED)	DIMENSION STYLE	SCALE	DESIGN UNITS	THIRD ANGLE PROJECTION
	▽=0	mm INCH	MM ONLY	2:1	METRIC	
	▽=0	4 PLACES ± --- ± ---	DRAWN BY DATE			POWER EDGE ASSEMBLY POWER / SIGNAL MIXED VERTICAL CPI
	▽=0	3 PLACES ± --- ± ---	CHECKED BY DATE			
	2 PLACES ± 0.25 ± ---	SAMIEC 2005/04/14				molex
	1 PLACE ± 0.25 ± ---	APPROVED BY DATE				
	0 PLACE ± ±	MARGULIS 2005/04/14				
	ANGULAR ± 1/2°	MATERIAL NO.	SEE CHART	DOCUMENT NO.		SHEET NO.
	DRAFT WHERE APPLICABLE MUST REMAIN WITHIN DIMENSIONS			SD-45912-001		1 OF 3
		SIZE B				

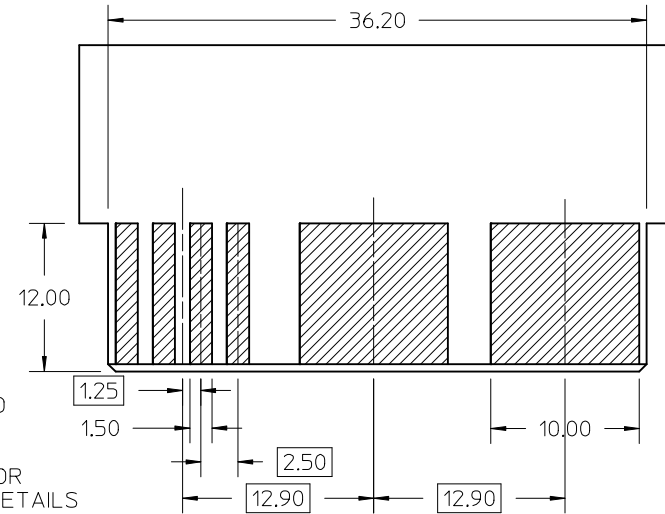
THIS DRAWING CONTAINS INFORMATION THAT IS PROPRIETARY TO MOLEX INCORPORATED AND SHOULD NOT BE USED WITHOUT WRITTEN PERMISSION



SIGNAL SEGMENT				POWER SEGMENT				POWER SEGMENT					
8	7	6	5	10	9	8	7	6	10	9	8	7	6
4	3	2	1	5	4	3	2	1	5	4	3	2	1



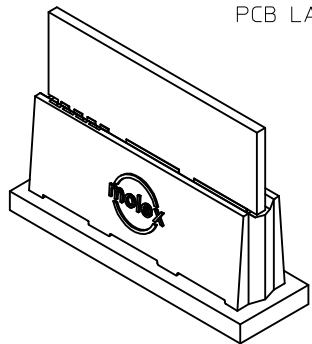
DIM S BETWEEN SIGNAL SEG AND SIGNAL SEG: 5.40  
 DIM S BETWEEN POWER SEG AND POWER SEG: 2.90  
 DIM S BETWEEN SIGNAL SEG AND POWER SEG: 4.15



RECOMMENDED  
 EDGE CARD  
 LAYOUT  
 SEE SHT 1 FOR  
 ADDITIONAL DETAILS  
 TOLERANCE: ±0.05

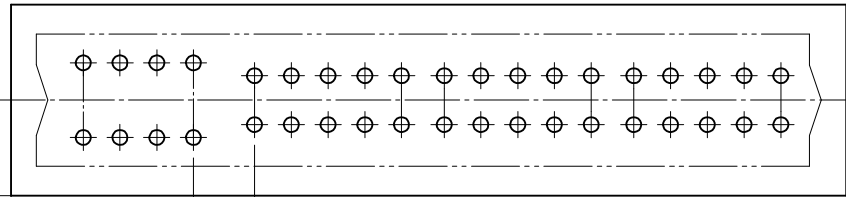
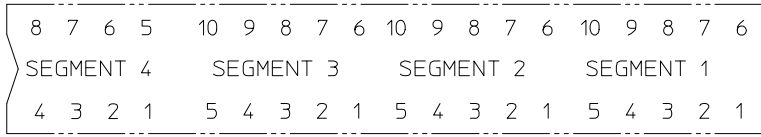
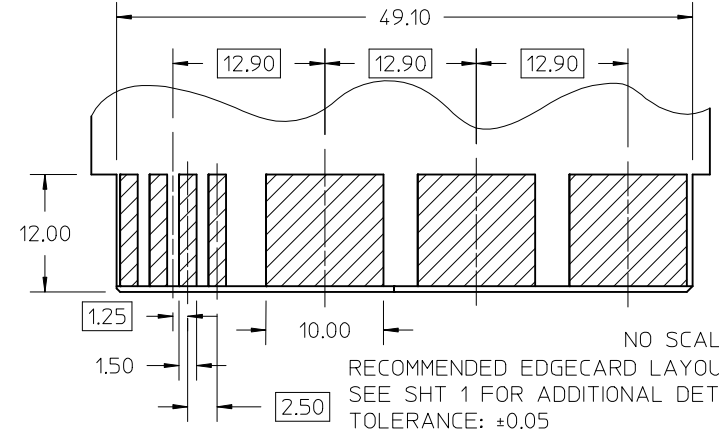
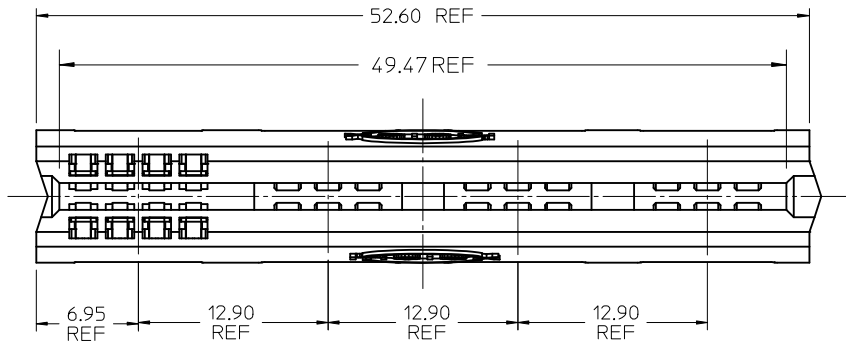
TOOLING STATUS	MATERIAL NUMBER	SEGMENT 3	SEGMENT 2	SEGMENT 1	OPTIONAL VOID LOCATION
TOOLED	45912-0007	SIGNAL	POWER	POWER	
TOOLED	45912-0008	POWER	SIGNAL	POWER	
TOOLED	45912-1108	POWER	SIGNAL	POWER	SIGNAL SEG PIN 3
TOOLED	45912-2108	VOID	SIGNAL	POWER	SIGNAL SEG PIN 3
TOOLED	45912-0009	SIGNAL	SIGNAL	POWER	
TOOLED	45912-0010	SIGNAL	POWER	SIGNAL	
TOOLED	45912-0011	POWER	SIGNAL	SIGNAL	
TOOLED	45912-0012	POWER	POWER	SIGNAL	
--	SEE 45845	SIGNAL	SIGNAL	SIGNAL	
--	SEE 45714	POWER	POWER	POWER	

MATERIAL NUMBER: 45911-0007 SHOWN  
 SEE SHEET ONE FOR OTHER NOTES AND DIMENSIONS



PCB LAYOUT: COMPONENT SIDE

EC NO: UCP2014-5371 DRWN: JSCHAFFER 2014/08/27 CHKD: APPR: APATEL 2014/09/03	QUALITY SYMBOLS DESCRIPTION REV	GENERAL TOLERANCES (UNLESS SPECIFIED)		DIMENSION STYLE MM ONLY		SCALE 2:1	DESIGN UNITS METRIC	THIRD ANGLE PROJECTION	
			mm	INCH	DRAWN BY SAMIEC	DATE 2005/04/14	TITLE POWER EDGE ASSEMBLY POWER / SIGNAL MIXED VERTICAL CPI		
		4 PLACES	± ---	± ---	CHECKED BY	DATE	MOLEX INCORPORATED		
		3 PLACES	± ---	± ---	SAMIEC	2005/04/14			
		2 PLACES	± 0.25	± ---	APPROVED BY	DATE	MATERIAL NUMBER	DOCUMENT NO.	SHEET NO.
1 PLACE	± 0.25	± ---	MARGULIS	2005/04/14	SEE CHART	SD-45912-001	2 OF 3		
DRAFT WHERE APPLICABLE MUST REMAIN WITHIN DIMENSIONS		ANGULAR ±1/2°		SIZE A		THIS DRAWING CONTAINS INFORMATION THAT IS PROPRIETARY TO MOLEX INCORPORATED AND SHOULD NOT BE USED WITHOUT WRITTEN PERMISSION			

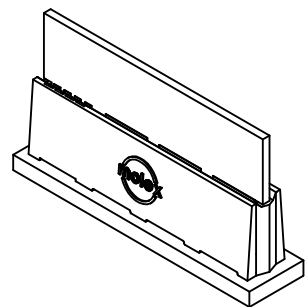


DIM S BETWEEN SIGNAL SEG AND SIGNAL SEG: 5.40  
 DIM S BETWEEN POWER SEG AND POWER SEG: 2.90  
 DIM S BETWEEN SIGNAL SEG AND POWER SEG: 4.15

PCB LAYOUT: COMPONENT SIDE

MATERIAL NUMBER 45912-0025 SHOWN  
 SEE SHEET ONE FOR OTHER NOTES AND DIM.

TOOLING STATUS	MATERIAL NUMBER	SEGMENT 4	SEGMENT 3	SEGMENT 2	SEGMENT 1
TOOLED	45912-0025	SIGNAL	POWER	POWER	POWER
TOOLED	45912-0026	POWER	SIGNAL	POWER	POWER
TOOLED	45912-0027	SIGNAL	SIGNAL	POWER	POWER
TOOLED	45912-0028	SIGNAL	POWER	SIGNAL	POWER
TOOLED	45912-0029	POWER	SIGNAL	SIGNAL	POWER
TOOLED	45912-0030	POWER	POWER	SIGNAL	POWER
TOOLED	45912-0031	SIGNAL	SIGNAL	SIGNAL	POWER
TOOLED	45912-0032	SIGNAL	POWER	POWER	SIGNAL
TOOLED	45912-0033	POWER	SIGNAL	POWER	SIGNAL
TOOLED	45912-0034	SIGNAL	SIGNAL	POWER	SIGNAL
TOOLED	45912-0035	SIGNAL	POWER	SIGNAL	SIGNAL
TOOLED	45912-0036	POWER	SIGNAL	SIGNAL	SIGNAL
TOOLED	45912-0037	POWER	POWER	SIGNAL	SIGNAL
TOOLED	45912-0038	POWER	POWER	POWER	SIGNAL



EC NO: UCP2014-5371 DRWN: JSCHAFFER 2014/08/27 CHKD: APPR: APATEL 2014/09/03	QUALITY SYMBOLS DESCRIPTION REV	GENERAL TOLERANCES (UNLESS SPECIFIED)		DIMENSION STYLE <b>MM ONLY</b>		SCALE <b>2:1</b>	DESIGN UNITS <b>METRIC</b>	THIRD ANGLE PROJECTION		
			mm	INCH	DRAWN BY SAMIEC	DATE 2005/04/14	<b>POWER EDGE ASSEMBLY          POWER / SIGNAL MIXED          VERTICAL CPI</b>			
		4 PLACES	± ---	± ---	CHECKED BY SAMIEC	DATE 2005/04/14				
		3 PLACES	± ---	± ---	APPROVED BY MARGULIS	DATE 2005/04/14	<b>MOLEX INCORPORATED</b>			
2 PLACES	± 0.25	± ---	MATERIAL NUMBER SEE CHART		DOCUMENT NO. <b>SD-45912-001</b>		SHEET NO. <b>3</b>			
1 PLACE	± 0.25	± ---	DRAFT WHERE APPLICABLE MUST REMAIN WITHIN DIMENSIONS		SIZE <b>A</b>		THIS DRAWING CONTAINS INFORMATION THAT IS PROPRIETARY TO MOLEX INCORPORATED AND SHOULD NOT BE USED WITHOUT WRITTEN PERMISSION			
ANGULAR ±1/2°										