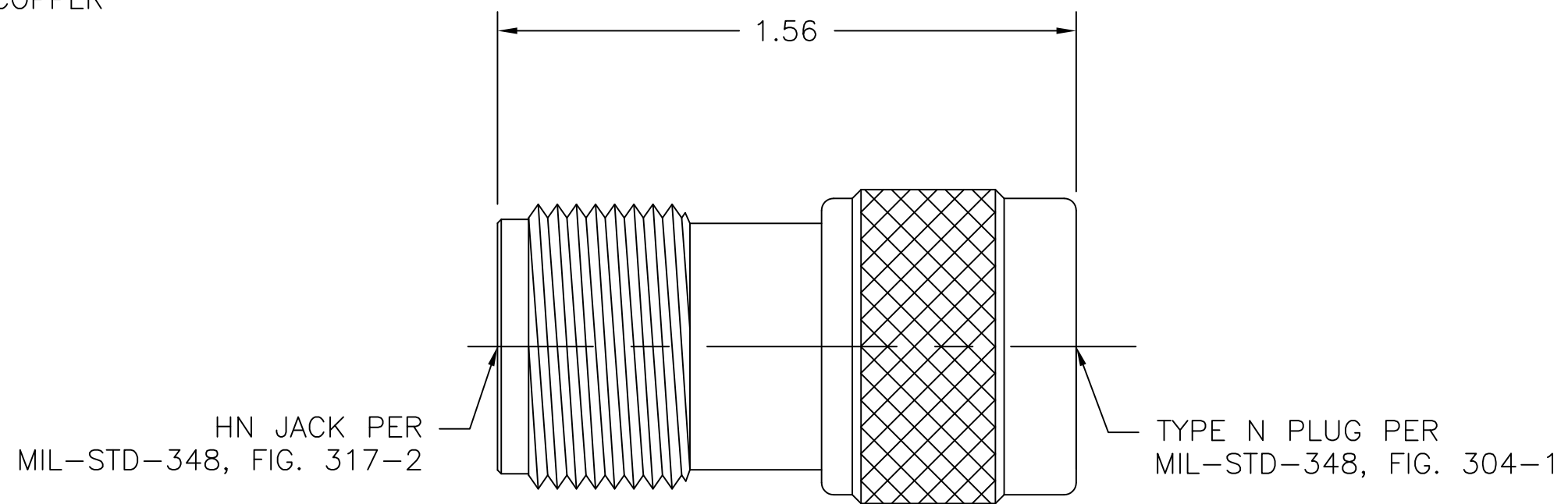


NOTES: UNLESS OTHERWISE SPECIFIED.

1. MATERIALS & FINISH:
  - 1.1 HOUSING & NUT: PASSIVATED STAINLESS STEEL
  - 1.2 CENTER CONTACT: GOLD PLATED BERYLLIUM COPPER
  - 1.3 DIELECTRIC: PTFE (TEFLON)
  - 1.4 GASKET: SILICONE RUBBER
2. ELECTRICAL SPECIFICATIONS:
  - 2.1 FREQUENCY RANGE: DC TO 8 GHz
  - 2.2 VSWR (MAX):
    - DC TO 4 GHz: 1.08:1
    - 4 TO 8 GHz: 1.20:1
  - 2.3 IMPEDANCE: 50 OHMS NOMINAL
3. MECHANICAL:
 

CENTER CONTACT CAPTURED IN ACCORDANCE WITH MIL-A-55339.



| REV. | DESCRIPTION      | DATE    |
|------|------------------|---------|
| -1   | ADDED TITLEBLOCK | 3/17/05 |
| A    | ECO 25450        | 9/28/15 |

|  |  |   |  |  |  |
|--|--|---|--|--|--|
| <p>This PROPRIETARY Document is property of Cinch Connectivity Solutions. It is confidential in nature, non-transferable, and issued with the clear understanding that it is no traced or copied without permission and is returnable upon demand.</p> <p>INTERPRET DRAWING ACCORDANCE WITH ASME Y14.5-2009.</p> |  | <p>CAGE CODE<br/><b>34078</b></p>               |  | <p><b>MIDWEST MICROWAVE</b></p>                            |  |
| <p>UNLESS OTHERWISE NOTED DIMENSIONS ARE IN INCHES AND TOLERANCES ARE:<br/>3 PLACE DECIMALS ±.005<br/>2 PLACE DECIMALS ±.02<br/>FRACTIONS ±1/64<br/>PARALLELITY: T.I.R. _____<br/>FLATNESS: T.I.R. _____<br/>CONCENTRICITY: T.I.R. _____<br/>ANGLES AND PERPENDICULARITY: ±1°</p>                                |  |   |  | <p>TITLE<br/><b>ADAPTER<br/>HN JACK TO TYPE N PLUG</b></p> |  |
| <p>DRAWN/DATE<br/>M. HOLLMAN<br/>12/15/94</p>  |  | <p>ENG./DATE<br/>A. OSGA<br/>12/16/94</p>       |  | <p>DRAWING NUMBER<br/>ADT-2791-NM-HNF-02-01</p>            |  |
| <p>CHECKED/DATE<br/>A. BEATTY<br/>12/15/94</p>   |  | <p>APPROVED/DATE<br/>J. KEREKES<br/>9/28/15</p> |  | <p>REV. A</p>  |  |
| <p>SCALE: 2=1</p>  |  |   |  | <p>SHEET 1 of 1</p>  |  |