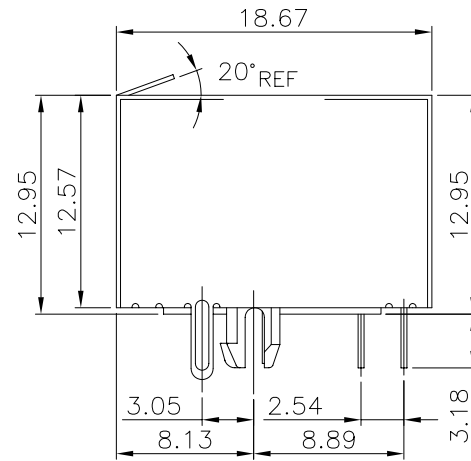
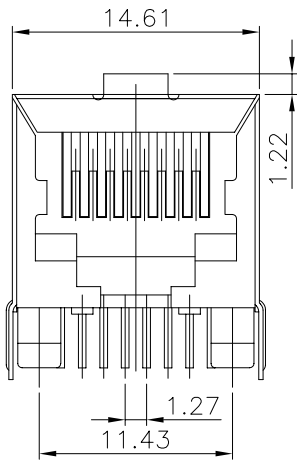


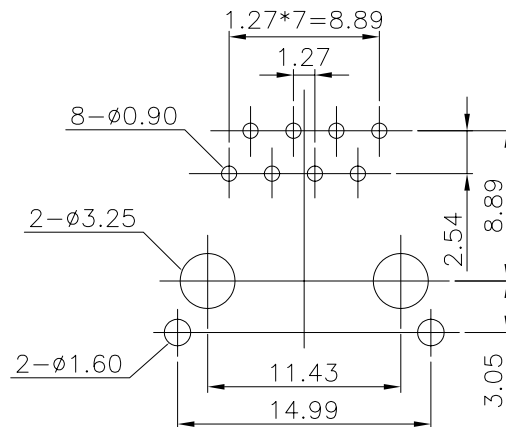
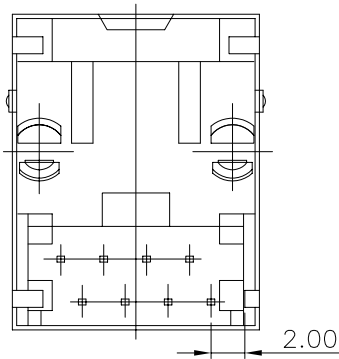
used for:

MATERIALS:

PLASTIC HOUSING: ENGINEERING THERMOPLASTIC
 FLAMMABILITY RATING UL 94V-0
 CONTACTS: 0.35MM THICKNESS PHOSPHOR BRONZE
 PLATING: GOLD PLATING OVER NICKEL IN CONTACT.
 TIN PLATING OVER NICKEL IN SOLDER AREA.
 SHIELDED: BRASS WITH NICKEL PLATED



PCB LAYOUT/TOP VIEW



THIS DRAWING MAY NOT BE COPIED OR REPRODUCED
 IN ANY WAY, AND MAY NOT BE PASSED ON TO A THIRD
 PARTY WITHOUT WRITTEN PERMISSION.
 OWNERSHIP AND COPYRIGHT OF CONEC CORPORATION
DO NOT ALTER CAD DRAWING BY HAND

tolerance		finish	
unless otherwise specified tolerance shall be as follow			
Decimal:	.x ±0.25	2005	date
	.xx ±0.38	draw.	Oct. 24
	.xxx ±0.25	appd.	Vincent Ke
		norm	
		d-old	
rev.	description	date	name

scale:	
material:	
title:	
drawing no.:	
part no.:	

scale:	
material:	
title: Side Entry PCB Jack shielded, 8p8c	
drawing no.:	AutoCAD 2005
C0510R04A	
part no.:	33TS3010S-88B



DIN
A3
sheet
1/1