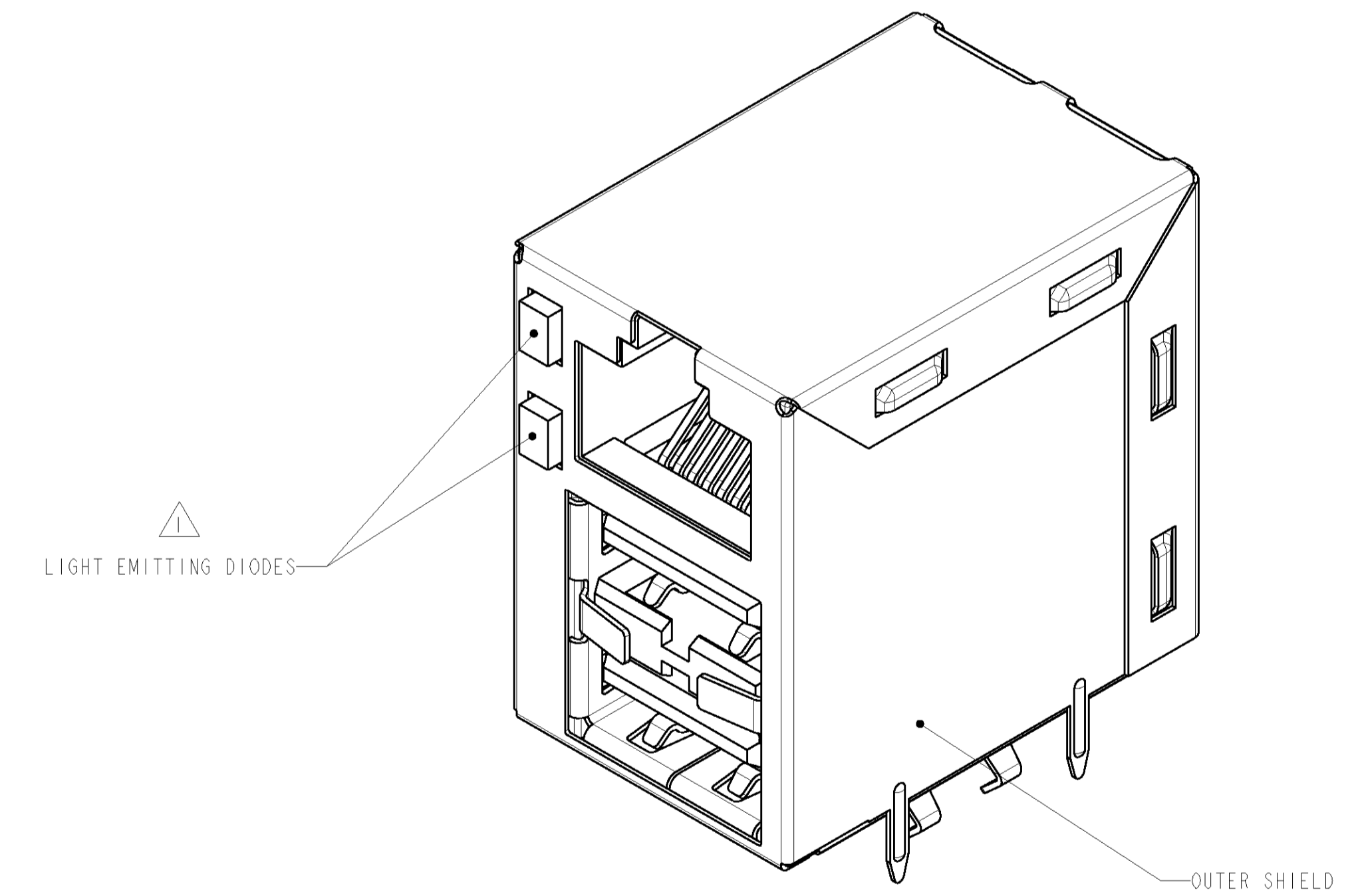
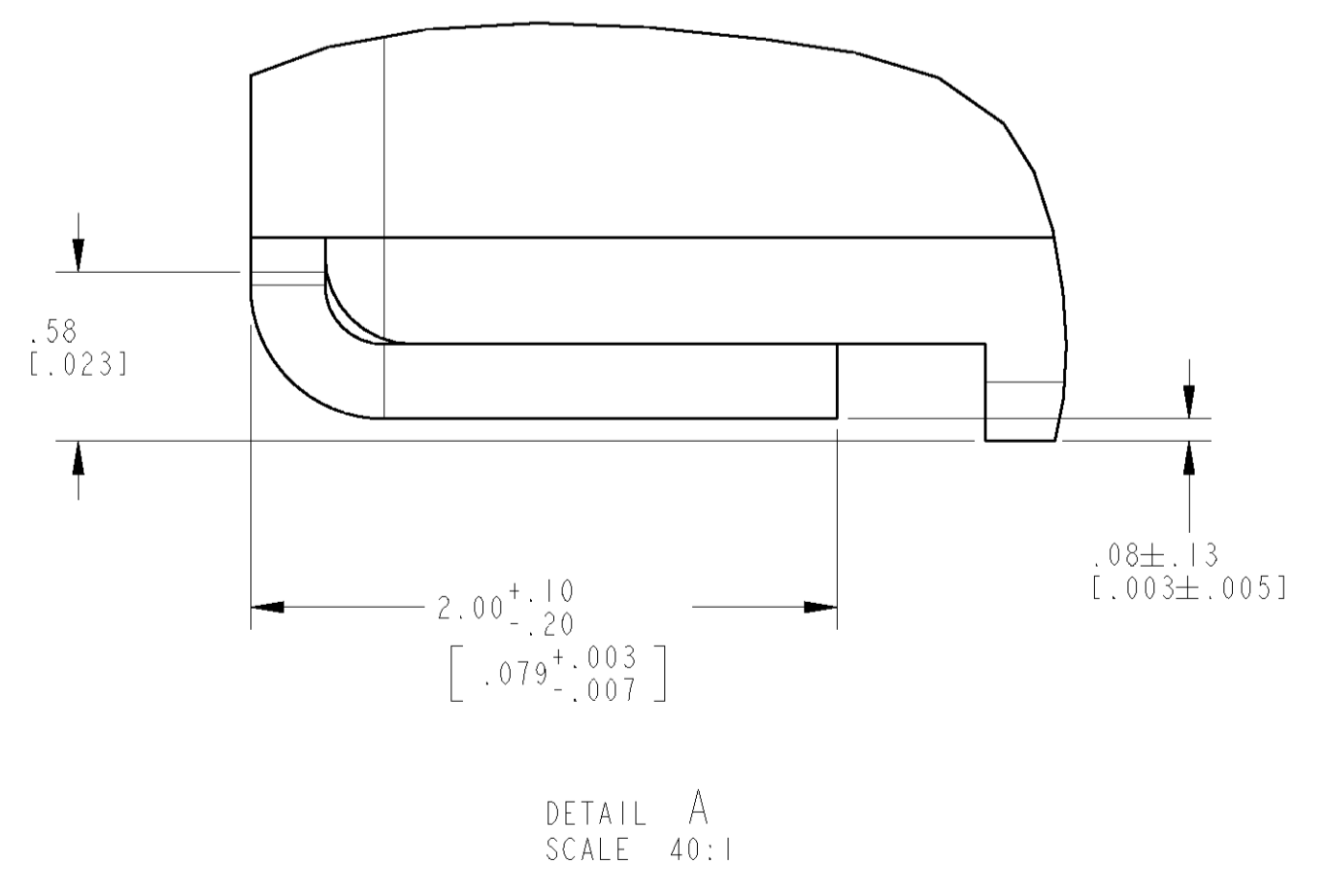
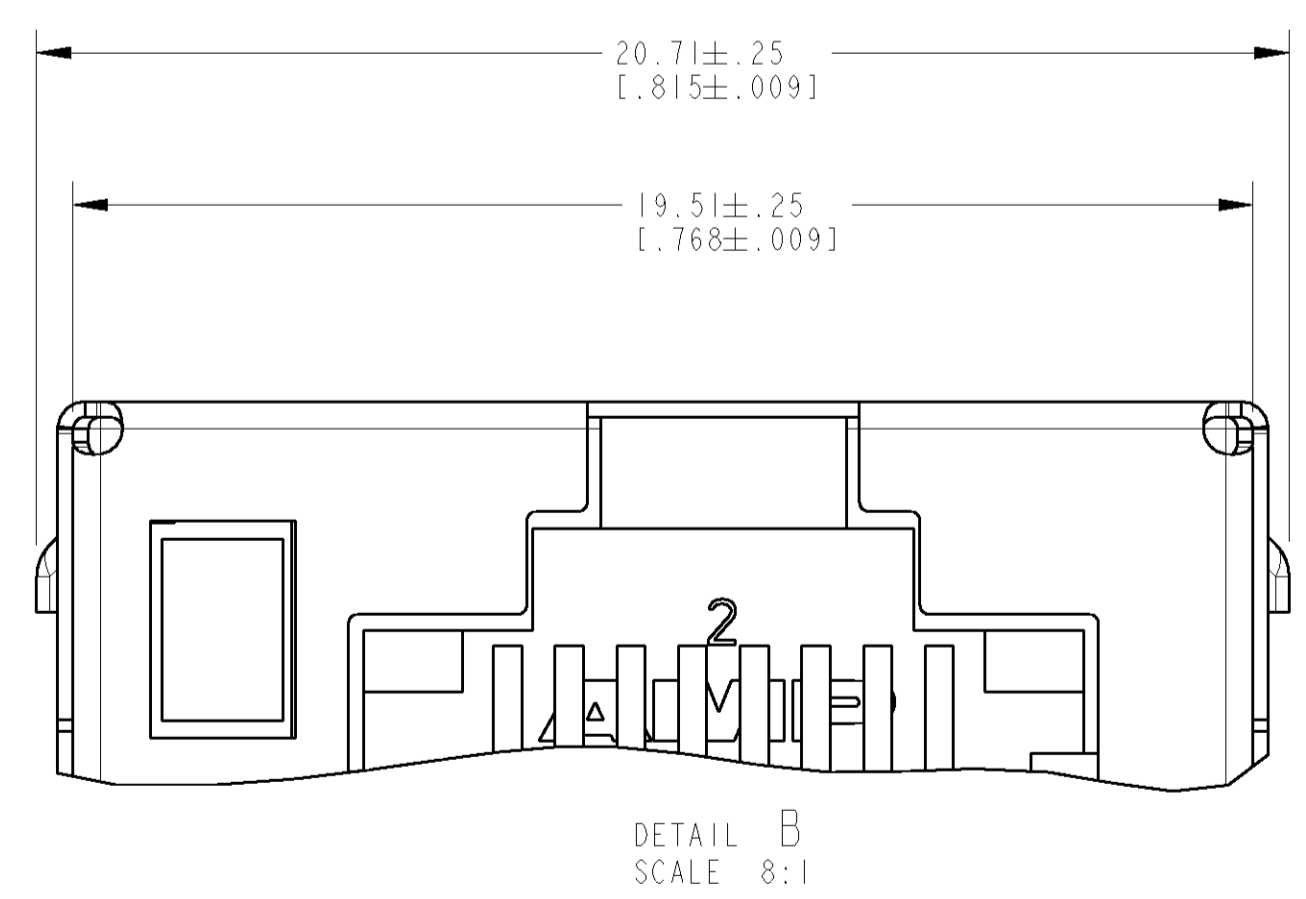
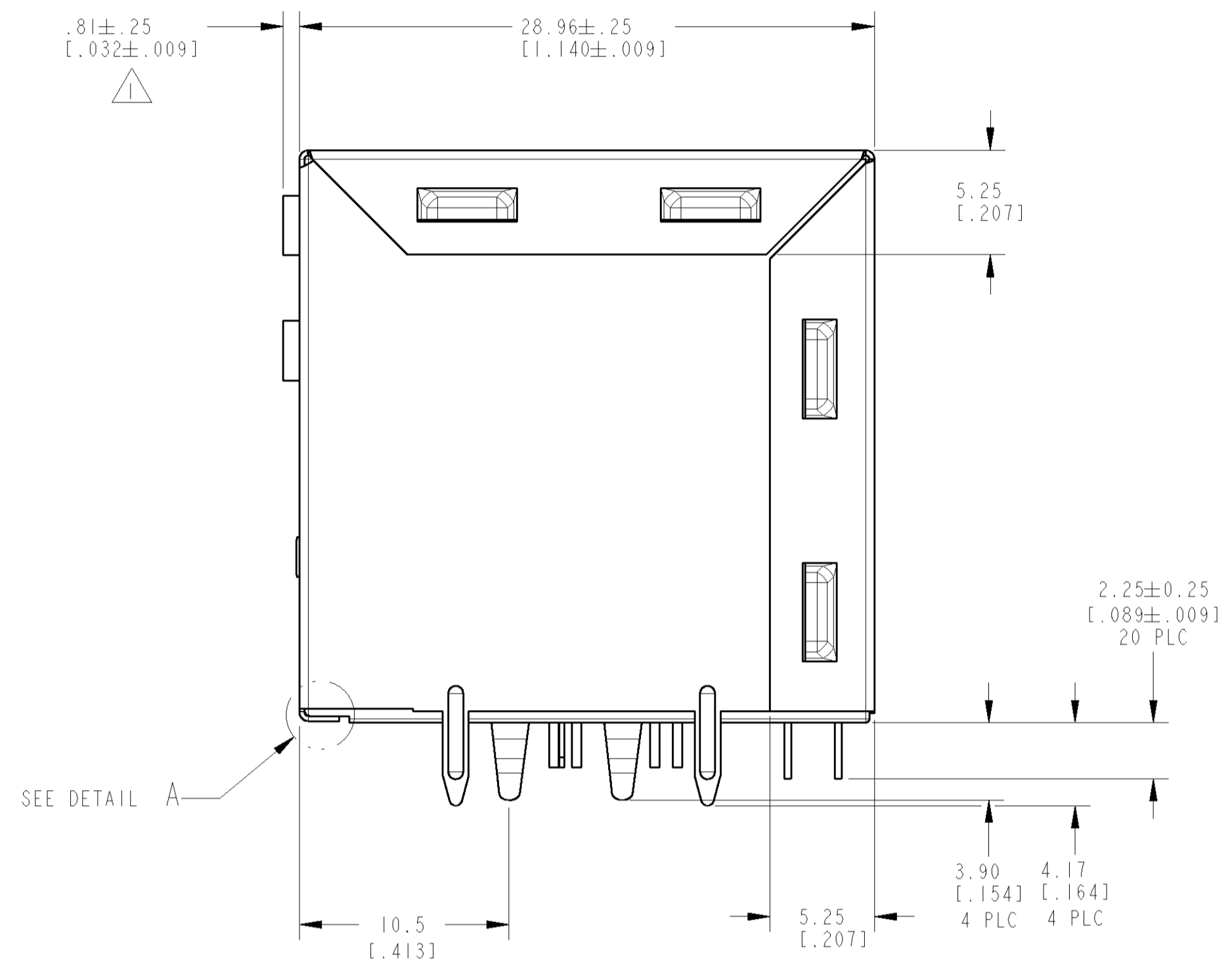
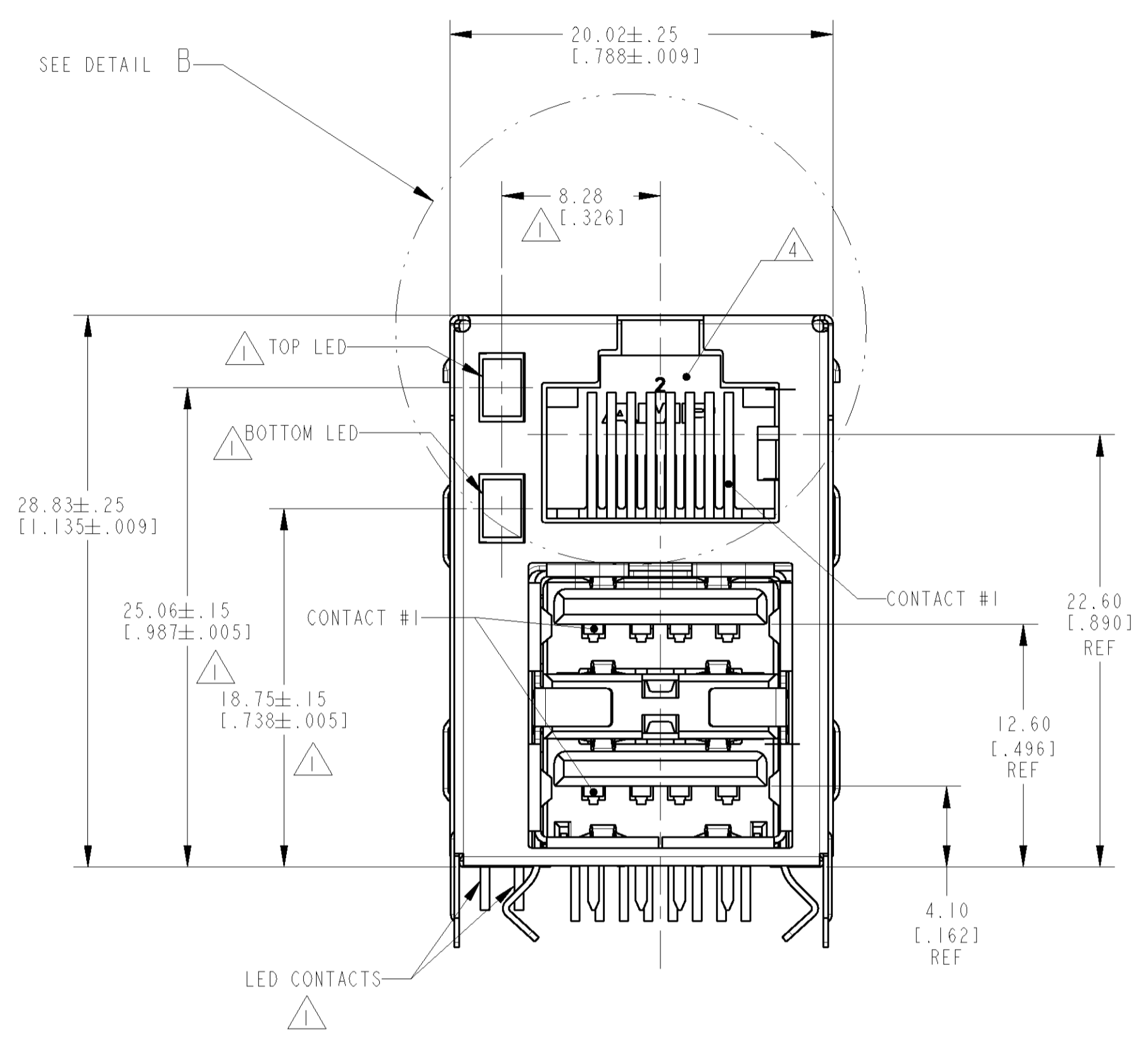


LOC	DIST	REV	DATE	BY	CHKD	APPD
AA	22					
C		ADDED: -4 PER EC 0S15-0016-02	31 JAN 2002	DLD	ECL	

- 1 1116151-2 & 1116151-4 ONLY.
- 2 DATUM AND BASIC DIMENSION ESTABLISHED BY CUSTOMER.
- 3 RECOMMENDED PC BOARD THICKNESS OF 1.57[.062].
- 4 RJ45 JACK CAVITY CONFORMS TO FCC RULES AND REGULATIONS, PART 68 SUBPART F.
- 5 MATERIAL:
 - HOUSING: PLASTIC HOUSINGS: UL94V-0/5V THERMOPLASTIC. SEE TABLE FOR COLOR.
 - TERMINAL: USB: 0.251±0.013 THICK PHOSPHOR BRONZE PLATED WITH 1.27µm NICKEL. IN LOCALIZED GOLD PLATE AREA 0.076µm MIN GOLD OVER 0.76µm MIN PALLADIUM-NICKEL IS ADDED OVER NICKEL UNDERPLATE. IN SOLDER AREA 3.8µm MIN 93/7% BRIGHT TIN-LEAD IS ADDED OVER NICKEL UNDERPLATE.
 - RJ45: 0.318 THICK PHOSPHOR BRONZE PLATED WITH 1.27µm MIN THICK NICKEL. IN LOCALIZED GOLD PLATE AREA 1.27µm MIN THICK GOLD IS ADDED OVER NICKEL UNDERPLATE. IN SOLDER AREA 3.8µm MIN 93/7% TIN-LEAD IS ADDED OVER NICKEL UNDERPLATE.
 - LED: 0.5 DIAMETER CARBON STEEL LEADS PREPLATED WITH 2.286µm TO 2.54µm OF SILVER OVER 1.016µm NICKEL OVER 2.032µm OF COPPER.
 - SHIELD: OUTER: 0.254 THICK COPPER-ZINC ALLOY PREPLATED WITH BRIGHT 93/7% TIN-LEAD ALLOY 2µm TO 3.8µm THICK.
 - INNER: 0.318 THICK COPPER-ZINC ALLOY PREPLATED WITH BRIGHT 93/7% TIN-LEAD ALLOY 2µm TO 3.8µm THICK.
 - USB: 0.318 THICK PHOSPHOR-BRONZE PREPLATED WITH 5.1µm MIN TIN.
- 6. UNLESS OTHERWISE SPECIFIED ALL DIMENSIONS ARE NOMINAL.



P/N 1116151-2 & 1116151-4 WITH LEDS

GREEN	GREEN	BLACK	1116151-4
NO LED	NO LED	TURQUOISE	1116151-3
YELLOW	GREEN	BLACK	1116151-2
NO LED	NO LED	BLACK	1116151-1
BOTTOM LED	TOP LED	HOUSING COLOR	PART NUMBER

DIMENSIONS: mm [INCHES] TOLERANCES UNLESS OTHERWISE SPECIFIED: 0 PLC ± 1 PLC ± 2 PLC ±0.13(.005) 3 PLC ± 4 PLC ± ANGLES ±1°		DWN: HOLTZCLAW JAN99 ENR: LAURER 18JAN99 APD: LAURER 18JAN99 PRODUCT SPEC APPLICATION SPEC WEIGHT CUSTOMER DRAWING	TYCO Electronics Harrisburg, PA 17105-3608 NAME: ASSEMBLY, RJ-45 MODULAR JACK OVER STACKED USB RECEPTACLE, WITH LEDS AND WITHOUT LEDS SIZE: A1 CAGE CODE: 00779 DRAWING NO: 1116151 SCALE: 4:1 SHEET 1 OF 2 REV C
--	--	--	---

