


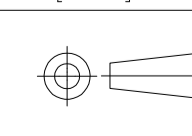
RECOMMENDED HOLE PATTERN
FOR MANUAL INSERTION

THIS DRAWING IS A CONTROLLED DOCUMENT.		DWN KATE HELM 10/30/90	TE Connectivity
DIMENSIONS: mm [INCHES]		CHK D. GORENC 10-31-90	
TOLERANCES UNLESS OTHERWISE SPECIFIED:		APVD D. GORENC 10-31-90	NAME HDR ASSY,AMPMODU System 50 RT-ANGLE,UNSHROUDED,DBL-ROW
0. PLC ± - 1. PLC ± - 2. PLC ± 0.13[.005] 3. PLC ± - 4. PLC ± - ANGLES ± -		PRODUCT SPEC 108-1093	RESTRICTED TO
MATERIAL HOUSING: ⚠ CONTACT: ⚠		APPLICATION SPEC 114-25031	SIZE A1
FINISH SEE TABLE		WEIGHT -	DRAWING NO 104746
		CUSTOMER DRAWING	SCALE 5:1 SHEET 1 OF 2 REV J

- ① FLAME REDARTANT THERMOPLASTIC, COLOR - BLACK
- ② COPPER ALLOY
- ③ CONTACTS PLATED WITH 0.00381[.000150] MIN TIN-LEAD; ALL OVER 0.00127[.000050] MIN NICKEL
- ④ POINT OF MEASUREMENT FOR PLATING THICKNESS
- ⑤ THE NOTED DIMENSION APPLIES AT THE INTERSECTION OF THE POST AND HOUSING
- ⑥ MAXIMUM CARRIER PROTRUSION BEYOND HOUSING.
- ⑦ CONTACTS PLATED WITH 0.00381[.000150] MIN TIN; ALL OVER 0.00127[.000050] MIN NICKEL
- ⑧ PRELIMINARY PART - NOT RELEASED FOR PRODUCTION
- ⑨ SUPERSEDED BY 5-104746-1
- ⑩ FINISH: 0.00002[.000001] MIN GOLD ON GOLD PLATED AREA.
0.00381-0.00635[.000150-.000250] MATTE TIN-LEAD ON TIN PLATED AREA. UNDER PLATING:
0.00127-0.00254[.000050-.000100] NICKEL ON ENTIRE CONTACT. GOLD AND TIN PLATING
MAY NOT OVERLAP
- ⑪ FINISH: 0.00002[.000001] MIN GOLD ON GOLD PLATED AREA.
0.00381-0.00635[.000150-.000250] MATTE TIN ON TIN PLATED AREA. UNDER PLATING:
0.00127-0.00254[.000050-.000100] NICKEL ON ENTIRE CONTACT. GOLD AND TIN PLATING
MAY NOT OVERLAP

⑩	14.35	10	22	7-104746-2
	[.565]			
③	63.88	49	100	⑧ 7-104746-1
	[2.515]			
③	14.35	10	22	5-104746-2
	[.565]			
③	63.88	49	100	5-104746-1
	[2.515]			
FINISH	B	A	NO OF POSN	PART NUMBER

⑩	14.35	10	22	⑧ 2-104746-2
	[.565]			
③	63.88	49	100	2-104746-1
	[2.515]			
③	14.35	10	22	104746-2
	[.565]			
③	63.88	49	100	⑨ 104746-1
	[2.515]			
FINISH	B	A	NO OF POSN	PART NUMBER

THIS DRAWING IS A CONTROLLED DOCUMENT.		DIN	10/30/90	 TE Connectivity
DIMENSIONS: mm [INCHES]		CHK	10-31-90	
TOLERANCES UNLESS OTHERWISE SPECIFIED:		APPV	10-31-90	NAME HDR ASSY,AMPMODU System 50 RT-ANGLE,UNSHROUDED,DBL-ROW
0 PLC ± - 1 PLC ± - 2 PLC ± 0.13[.005] 3 PLC ± - 4 PLC ± - ANGLES ± -		NAME		
		PRODUCT SPEC	108-1093	SIZE A1
MATERIAL HOUSING: SEE TABLE		APPLICATION SPEC	114-25031	
		WEIGHT	-	SCALE 5:1 SHEET 2 OF 2 REV J
		CUSTOMER DRAWING		