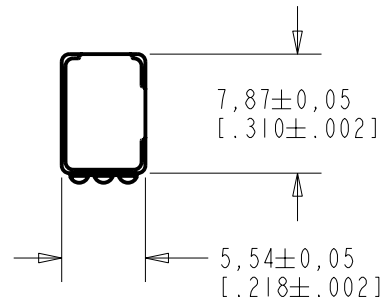
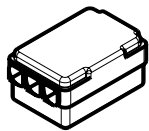
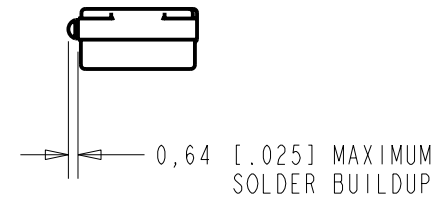
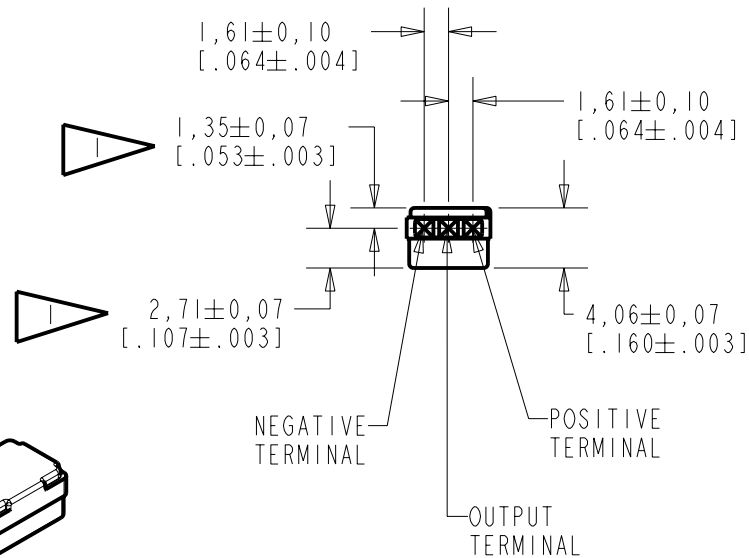


BU-21771-000
SHT 1.1



NOTE:

LOCATED FROM TWO SURFACES FOR CUSTOMER CONVENIENCE ONLY APPLICABLE FROM ONE SURFACE, NOT TO BE USED TOGETHER. HORIZONTAL LOCATION FOR TERMINAL CENTERED TO ±0,17[.007].



NOMINAL WEIGHT
.28 GRAM

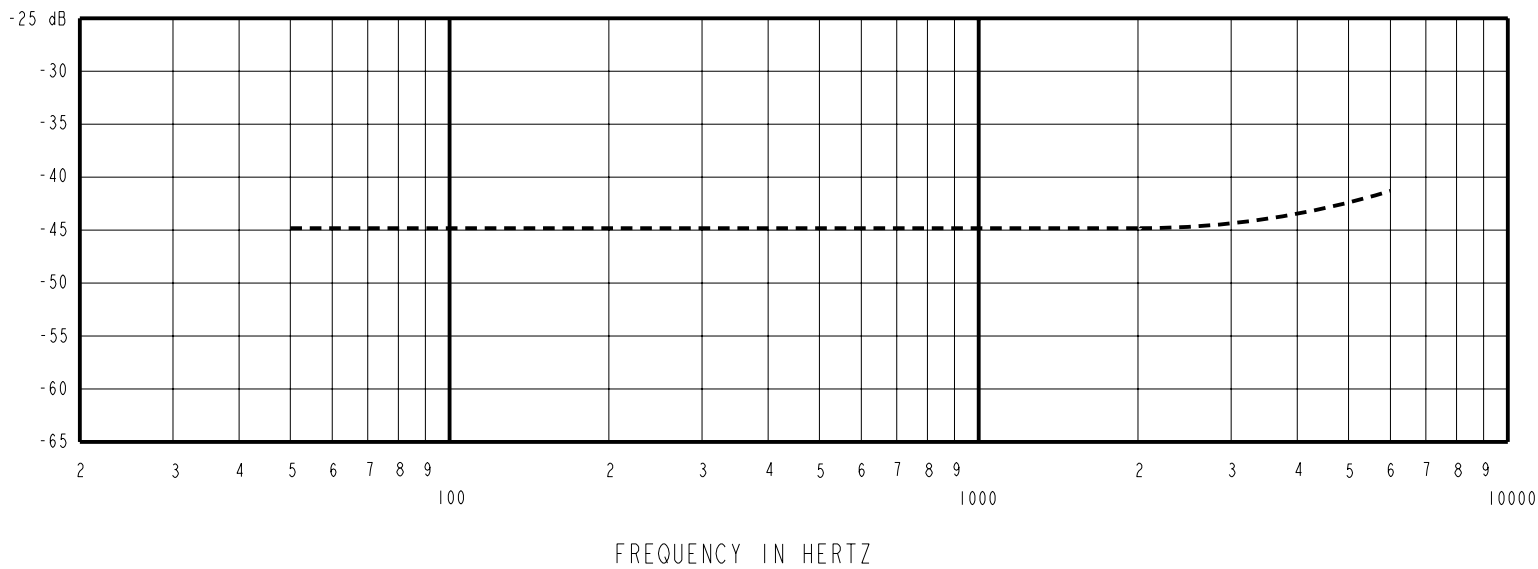
DIMENSIONS IN MILLIMETERS [INCHES]

KNOWLES ELECTRONICS
ITASCA, ILLINOIS U.S.A.

Revision	C.O. #	Implementation Date	RELEASE LEVEL	REVISION
B	MI0101515	7-16-07	Released	B
A	MI0101175	9-13-06		

SCALE: 2:1		DR. BY	DATE
DO NOT SCALE DRAWING		AB	9-13-06
TITLE: VIBRATION TRANSDUCER		CK. BY	DATE
OUTLINE DRAWING		GJP	9-18-06
BU-21771-000		APP. BY	DATE
SHT 1.1		GJP	9-18-06

SENSITIVITY IN dB RELATIVE TO 1.0 VOLT/g
FOR CONDITIONS SHOWN BELOW



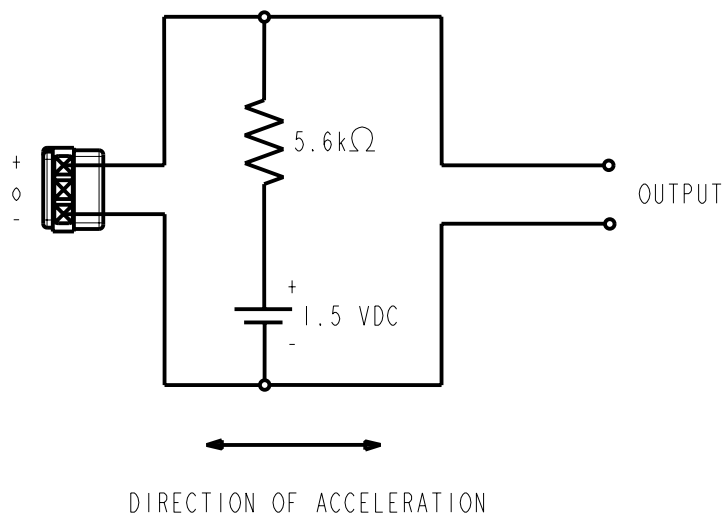
FREQUENCY	SENSITIVITY			DEVICE CONFORMITY	
	MIN.	NOM.	MAX.	RANGE OF DEVIATION FROM 1 kHz	
300	---	-45.0	---	-1.5	+1.5
1000	-49.5	-45.0	-40.5	0	0
3000	---	-44.5	---	-1.0	+2.0

NOTES:

- ALL DATA MEASURED WITH CIRCUIT CONFIGURATION SHOWN BELOW.
- CASE CONNECTED TO NEGATIVE TERMINAL.

DC SUPPLY	BATTERY CURRENT DRAIN	"A" WEIGHTED NOISE (RE 1.0V)	OUTPUT IMPEDANCE OHMS (AT 1 kHz)		
			MIN.	NOM.	MAX.
1.5 V	50 μ A MAX.	-103 dB MAX.	4900	5200	5500

3. TEST CONDITIONS:



Revision	C.O. #	Implementation Date	RELEASE LEVEL	REVISION
B	M10101515	7-16-07	Released	B
A	M10101175	9-13-06		

KNOWLES ELECTRONICS
ITASCA, ILLINOIS U.S.A.

WHEN TEST LIMITS ARE USED TO ESTABLISH INCOMING INSPECTION ACCEPTANCE/REJECTION CRITERIA, CORRELATION OF TEST EQUIPMENT WITH KNOWLES IS ALSO REQUIRED FOR ELIMINATION OF EQUIPMENT AND TEST METHOD VARIATION

TITLE: **VIBRATION TRANSDUCER** **BU-21771-000**
PERFORMANCE SPECIFICATION **SHT 2.1**

DR. BY	DATE
AB	9-13-06
CK. BY	DATE
GJP	9-18-06
APP. BY	DATE
GJP	9-18-06