

| PART NO. | ENG. NO. | CKT SIZE | MATERIAL (SEE NOTE 1) |
|------------|---------------|----------|-----------------------|
| 39-01-4030 | 5557-03R2 | 3 | UL 94V-2 |
| 39-01-4031 | 5557-03R2-210 | 3 | UL 94V-0 |
| 39-01-5039 | 5557-03R2-BL | 3 | UL 94V-2, BLACK |
| 46999-0287 | 5557-03R2-400 | 3 | UL 94V-0, BLACK |

LEGEND

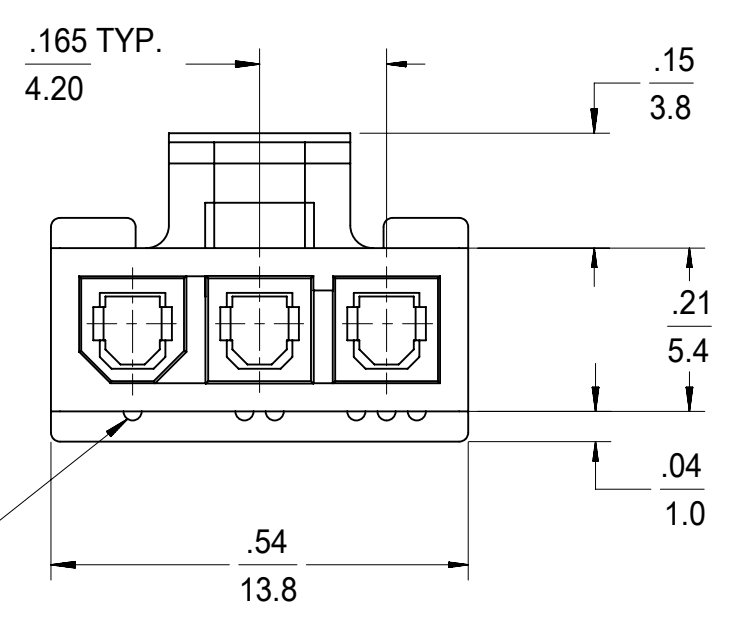
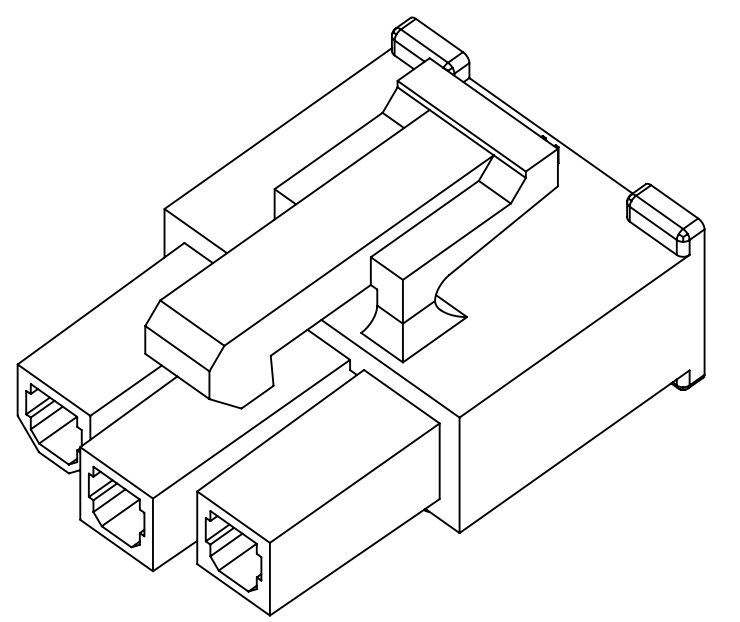
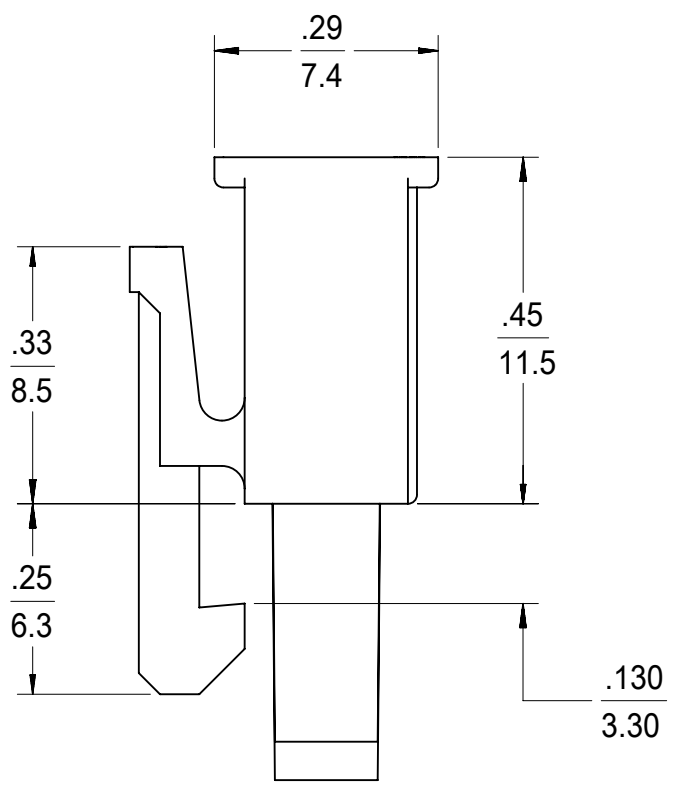
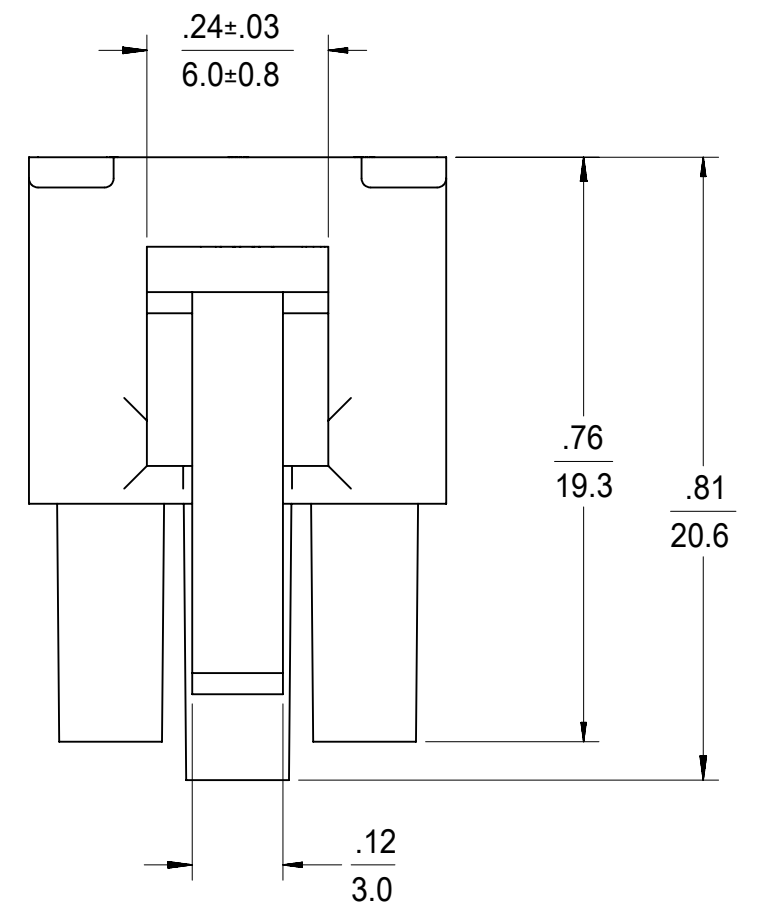
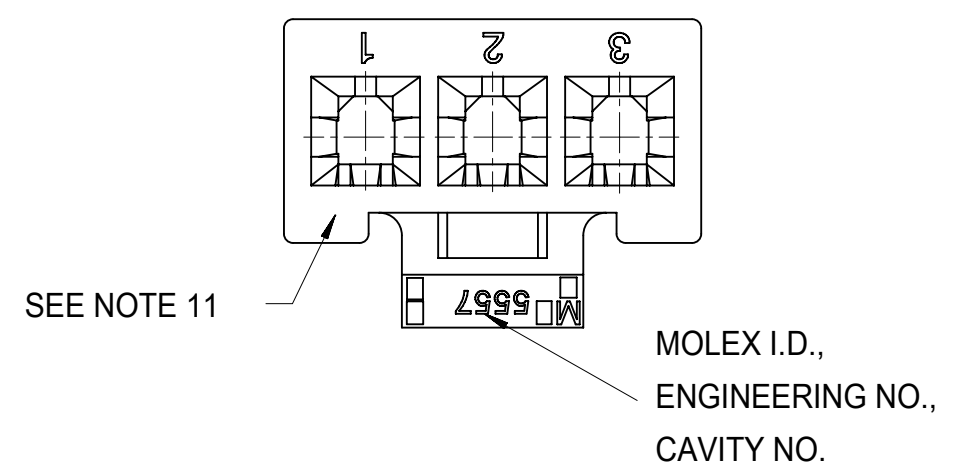
5557-03R2-***

CKT SIZE

RECEPTACLE

MATERIAL OPTION:
(SEE NOTE 1)

- NOTES:
- MATERIAL:
"BLANK"=NYLON 6/6, UL94V-2, LOW HALOGEN, COLOR: NATURAL
"210"=NYLON 6/6, UL94V-0, LOW HALOGEN, COLOR: NATURAL
"BL"=NYLON 6/6, UL94V-2, LOW HALOGEN, COLOR: BLACK
"400"=NYLON 6/6, UL94V-0, LOW HALOGEN, COLOR: BLACK
 - FINISH: NOT APPLICABLE
 - PRODUCT SPECIFICATION: PS-5556-001
 - PACKAGING: PK-5557-002
 - PART MATES WITH MOLEX RIGHT ANGLE HEADER #5569-03A*, VERTICAL HEADER #5566-03A3* AND PLUG #5559-03P*.
 - PART TO BE USED WITH MOLEX FEMALE TERMINAL #5556.
 - WHEN MATING WITH ANOTHER CONNECTOR, THE CENTER CIRCUIT WILL "MAKE FIRST AND BREAK LAST".
 - PART IS NOT DESIGNED FOR CURRENT SHARING.
 - CONNECTOR ASSEMBLIES ARE NOT TO BE MATED OR UNMATED WHILE CIRCUITS ARE LIVE.
 - WIRES ARE TO BE DRESSED IN SUCH A MANNER TO ALLOW THE TERMINALS TO FLOAT FREELY IN THE POCKET.
 - "MX" TRADEMARK MAY BE LOCATED ON LATCH OR SURFACE INDICATED. CAVITY NO. MAY BE LOCATED ON EITHER SIDE OF ENGINEERING NO. ON LATCH.
 - PART CONFORMS TO CLASS "B" REQUIREMENTS OF COSMETIC SPECIFICATION PS-45499-002.
 - BUBBLE IS ACCEPTABLE ON LATCH AREA.



| | | | | | | | | | |
|---|--|---------|---------|------------------------|--|----------------|--|-----------------|--|
| THIS DRAWING CONTAINS INFORMATION THAT IS PROPRIETARY TO MOLEX ELECTRONIC TECHNOLOGIES, LLC AND SHOULD NOT BE USED WITHOUT WRITTEN PERMISSION | | | | | | | | | |
| DIMENSION UNITS | | SCALE | | CURRENT REV DESC: | | | | molex | |
| INCH | | NTS | | EC NO: 719028 | | | | | |
| GENERAL TOLERANCES (UNLESS SPECIFIED) | | | | DRWN: JERRYW8 | | | | 2022/08/29 | |
| 4 PLACES | | ± | ± | CHK'D: XQZHANG | | | | 2022/09/01 | |
| 3 PLACES | | ± | ± 0.01 | APPR: XQZHANG | | | | 2022/09/01 | |
| 2 PLACES | | ± 0.25 | ± 0.015 | INITIAL REVISION: | | | | DOCUMENT NUMBER | |
| 1 PLACE | | ± 0.38 | ± | DRWN: GEP | | | | 55570302-SD | |
| 0 PLACES | | ± | ± | APPR: RAS | | | | PSD 000 A1 | |
| ANGULAR TOL | | ± 0.5 ° | | THIRD ANGLE PROJECTION | | DRAWING | | SERIES | |
| DRAFT WHERE APPLICABLE MUST REMAIN WITHIN DIMENSIONS | | | | C-SIZE | | 5557 | | MATERIAL NUMBER | |
| | | | | | | GENERAL MARKET | | SHEET NUMBER | |
| | | | | | | SEE CHART | | 1 OF 1 | |