

4

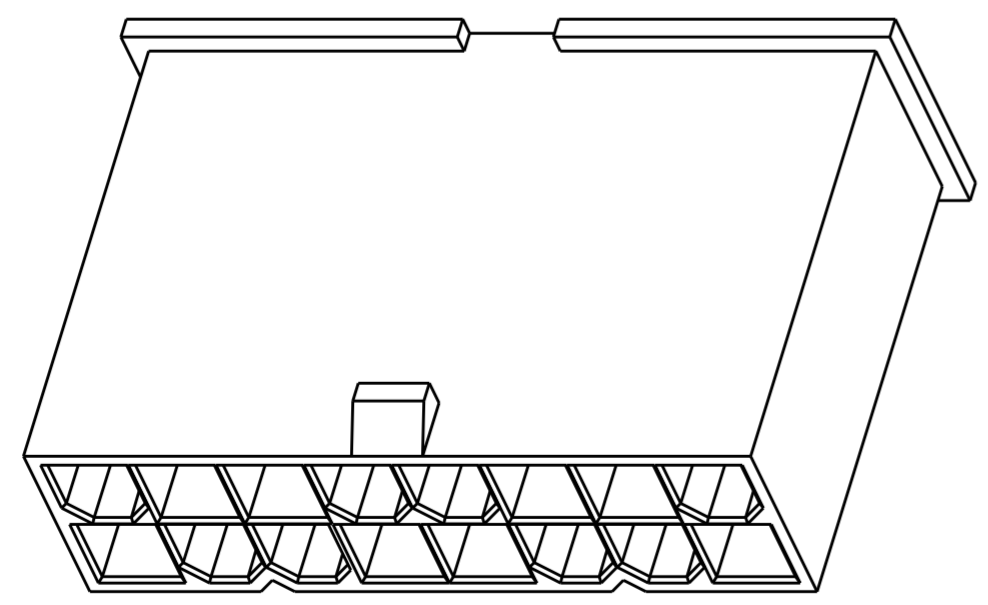
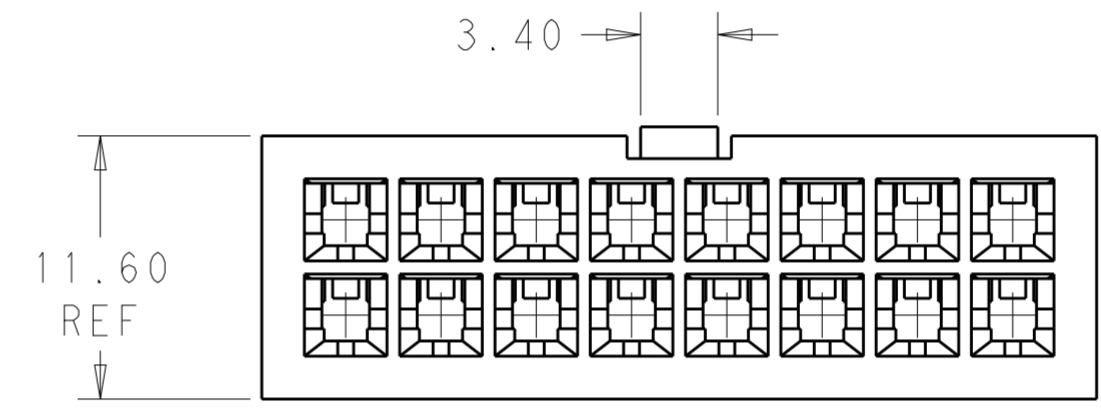
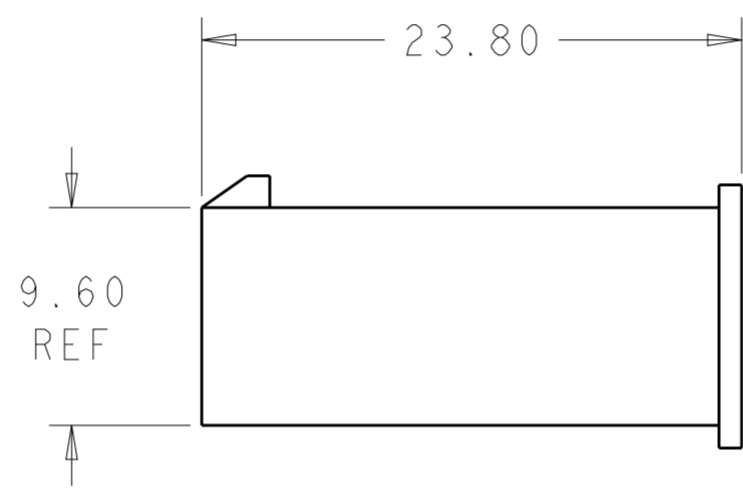
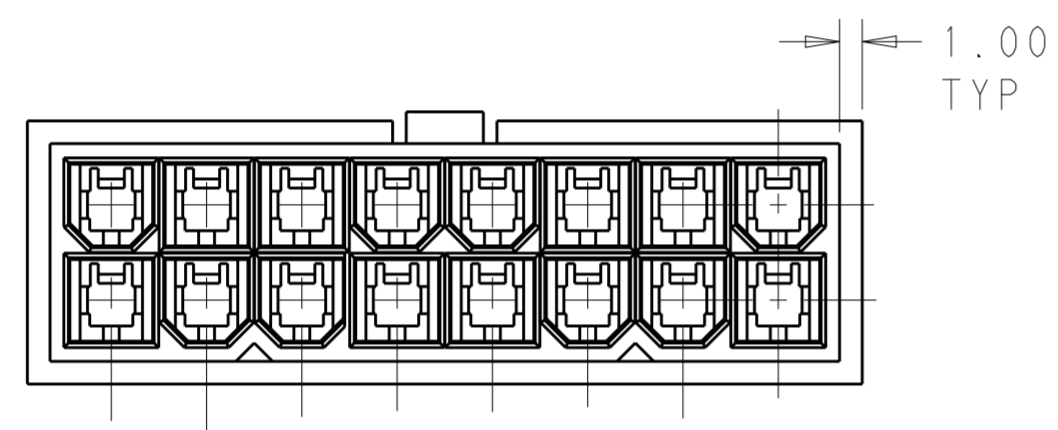
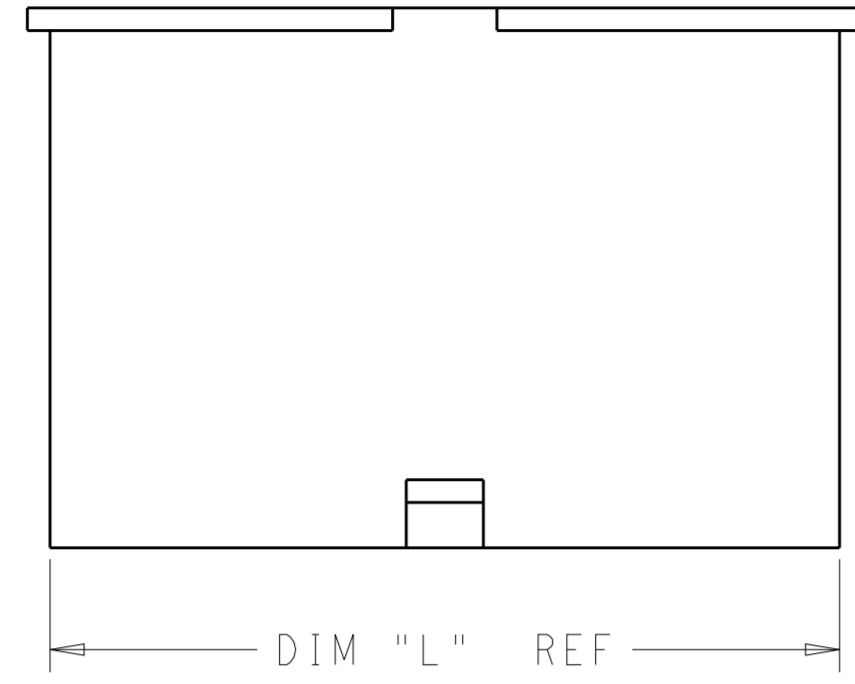
3

2


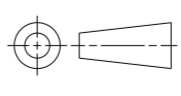
1

THIS DRAWING IS UNPUBLISHED. RELEASED FOR PUBLICATION 20  
 © COPYRIGHT 20 BY - ALL RIGHTS RESERVED.

LOC	DIST	REVISIONS			
P	LTR	DESCRIPTION	DATE	DWN	APVD
AF	-	A	REVISED PER ECR-13-018775	11DEC2013	KH KR



51.60	24	2-1969612-4
47.40	22	2-1969612-2
43.20	20	2-1969612-0
39.00	18	1-1969612-8
34.80	16	1-1969612-6
30.60	14	1-1969612-4
26.40	12	1-1969612-2
22.20	10	1-1969612-0
18.00	8	1969612-8
13.80	6	1969612-6
9.60	4	1969612-4
5.40	2	1969612-2
DIM L	NO. OF POS	PART NO.

THIS DRAWING IS A CONTROLLED DOCUMENT.		DWN	JR RUTH	18JAN13	 TE Connectivity	
DIMENSIONS:		CHK	KURT RANDOLPH	18JAN13		
TOLERANCES UNLESS OTHERWISE SPECIFIED:		APVD	KURT RANDOLPH	18JAN13		
mm		PRODUCT SPEC				
		APPLICATION SPEC			NAME	PLUG HOUSING VAL-U-LOK
MATERIAL	NYLON 6/6, V0	FINISH	COLOR-NATURAL	Customer Drawing	SIZE	A2
		WEIGHT	-	SCALE	CAGE CODE	00779
				SCALE	DRAWING NO	C-1969612
				SCALE	RESTRICTED TO	-
				SCALE	SHEET	1 OF 1
				SCALE	REV	A