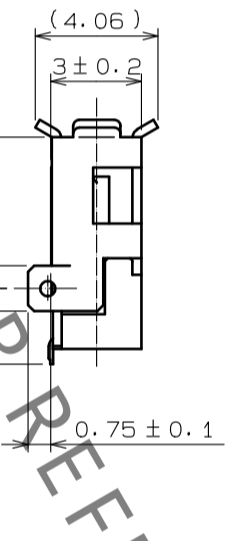
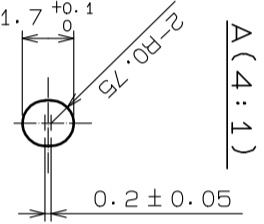
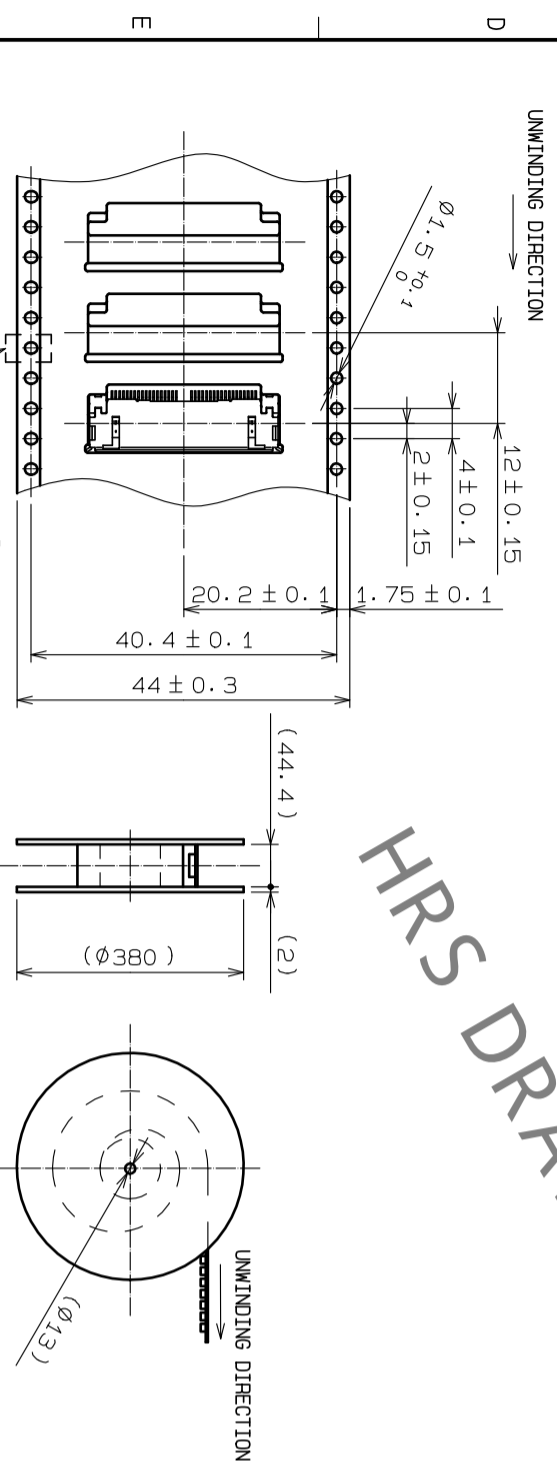
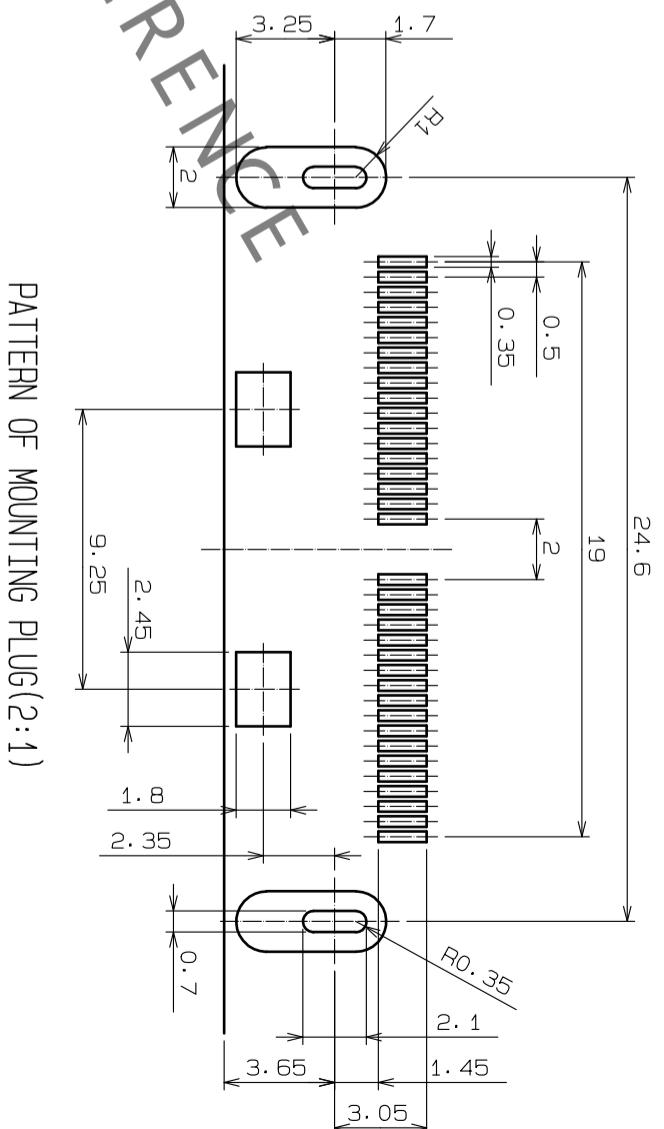


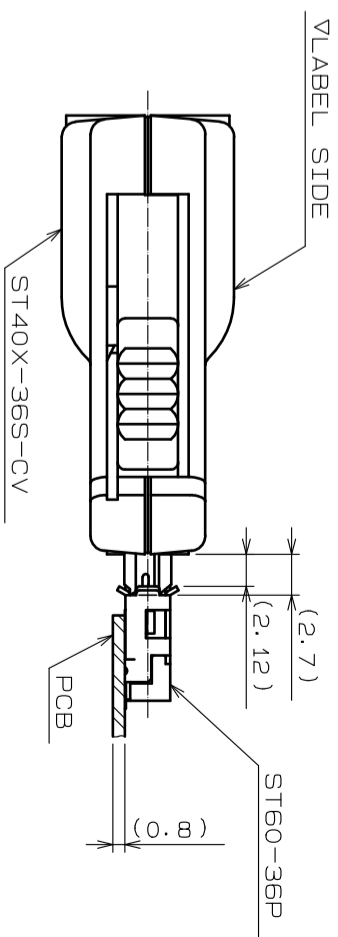
FIGURE FOR PACKING(1:1)



RECOMMENDED PC BOARD PATTERN(t=0.8)



PATTERN OF MOUNTING PLUG(2:1)



NOTE 1 PER RELL:1500 PIECES.
 2 LEAD CO-PLANARITY TO BE 0.1mm MAX.

- ③ PLATING
- CONTACT AREA GOLG 0.2µm min.
- LEAD AREA GOLD FLASH.
- UNDER PLATING NICKEL 2µm min.

2	COPPER ALLOY	③	PS
1	LCP	UL94V-0 (BLACK)	PS
MATERIAL		FINISH . REMARKS	NO. MATERIAL
UNITS		COUNT	DESCRIPTION OF REVISIONS
SCALE		4 : 1	DESIGNED
DRAWN		AK. AKIYAMA	CHECKED
APPROVED : NM. NISHIMATSU		15.10.27	DRAWING NO.
CHECKED : KN. ICHIKAWA		15.10.27	PART NO.
DESIGNED : TS. ITO		15.10.27	CODE
HRS		HIROSE ELECTRIC CO., LTD.	CL241-0033-1-30
EDC-124422-30-00		ST60-36P(30)	1