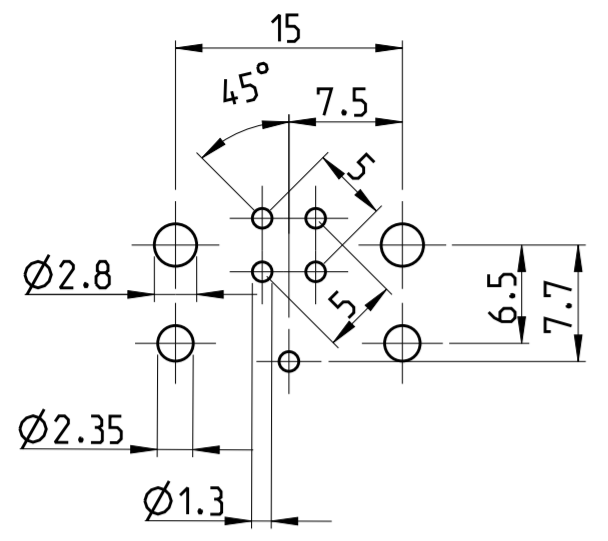


THIS DRAWING IS UNPUBLISHED. VERTRÄULICHE UNVERÖFFENTLICHTE ZEICHNUNG. RELEASED FOR PUBLICATION FREI FÜR VERÖFFENTLICHUNG. 2014. MATED WITH: PASSEND ZU: (C) COPYRIGHT 2014 Tyco Electronics AMP GmbH. ALL RIGHTS RESERVED. ALLE RECHTE VORBEHALTEN.

PROJEKT NR.: PRJ-11-000004377

REVISIONS		DATE	DWN	APVD
AENDERUNGEN	DESCRIPTION			
BESCHREIBUNG				
P	LTR			
A	NEW RELEASE	04DEC2014	TJ	PS

CONDUCTOR LAYOUT

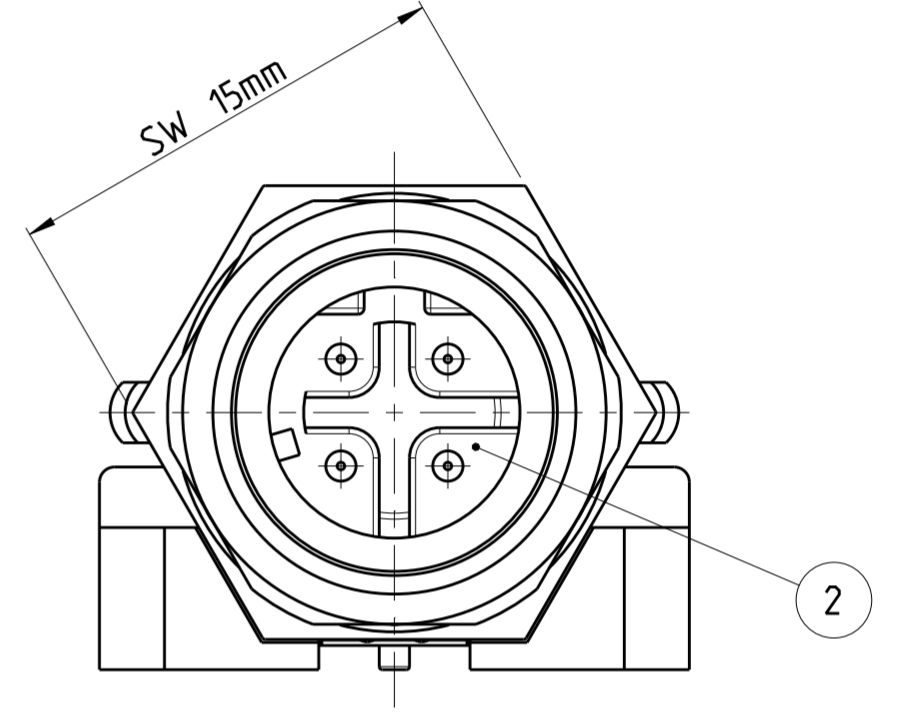
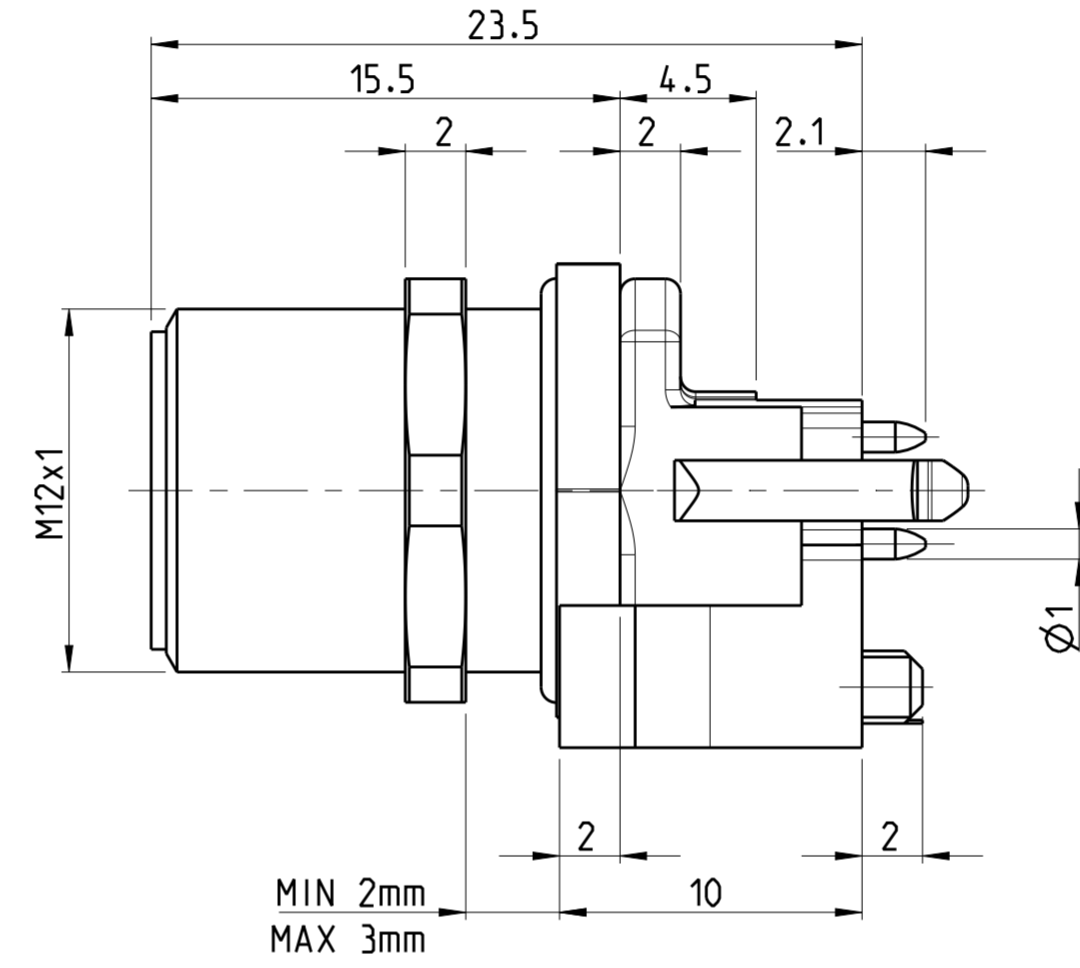
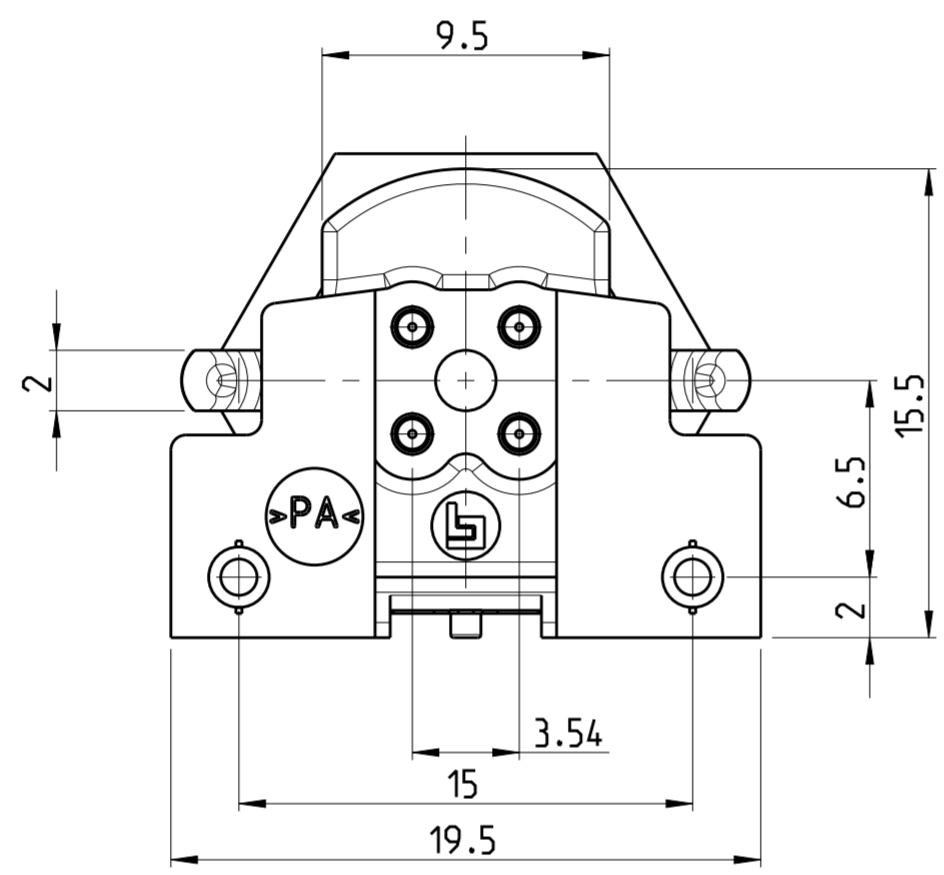


NOTES:

- 1 MATERIAL: ITEM NO. 1: HOUSING - CuZn (BRASS, NICKEL PLATED)
 ITEM NO. 2: CONTACT BODY - PA (GREEN)
 ITEM NO. 3: CONTACT - CuSn (BRONZE)
 CONTACT FINISH - AU (GOLD)

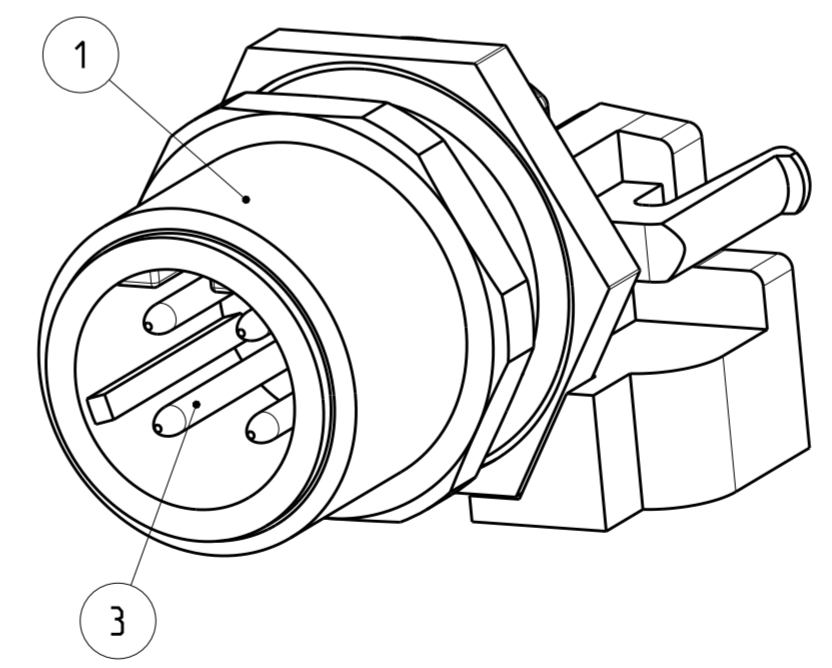
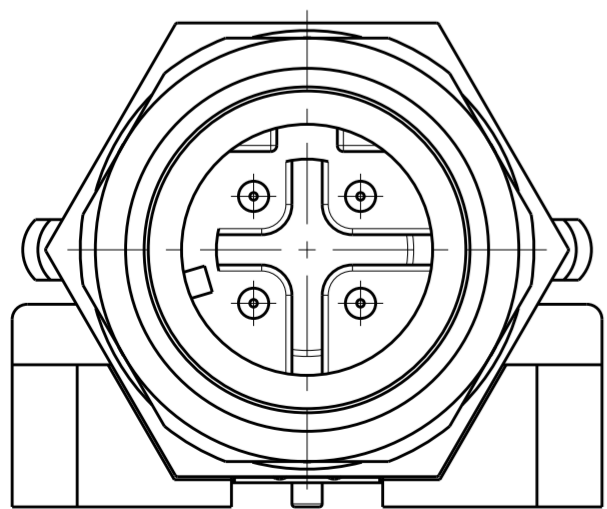
2 ALL DIMENSIONS ARE FOR NOMINAL REFERENCE ONLY UNLESS OTHERWISE STATED

TECHNICAL DATA	
	3-2172084-2
RATED VOLTAGE	250V
RATED IMPULSE VOLTAGE	2500V
POLLUTION DEGREE	3
OVERVOLTAGE CATEGORY	II
MATERIAL GROUP	II
RATED CURRENT	4A
VOLUME RESISTIVITY	≤ 3mΩ
DEGREE OF PROTECTION	IP67
UPPER TEMPERATURE	+85 °C
LOWER TEMPERATURE	+40 °C



PIN ARRANGEMENT D-CODING

3-2172084-2



DIESE ZEICHNUNG IST EIN KONTROLLIERTES DOKUMENT. BEMASSUNGEN UND TOLERANZEN GEMAESS GPS (ISO STANDARDS).		DWN YASHKUMAR 13AUG2014
THIS DRAWING IS A CONTROLLED DOCUMENT. DIMENSIONING AND TOLERANCING PER GPS (ISO STANDARDS).		CHK M. BRUBAKER 13AUG2014
DIMENSIONS: MASSE/WEITEN: IT/IN		APVD M. BRUBAKER 13AUG2014
TOLERANCES UNLESS OTHERWISE SPECIFIED: ALLGEMEINTOLERANZEN		PRODUCT SPEC 108-19483
0 PLC ±		APPLICATION SPEC 114-32127
1 PLC ±		WEIGHT -
2 PLC ±		Customer Drawing
3 PLC ±		Customer Drawing
4 PLC ±		Customer Drawing
ANGLES/WINKEL ±		Customer Drawing
FINISH/OBERFLÄCHE/FARBE		Customer Drawing
SEE NOTES		Customer Drawing

4	3-2172084-2
MATERIAL	TE-PART-NO.



M12 RECEPTACLE, MALE, PCB MOUNT, STRAIGHT, SHIELDED, STANDOFF, D-CODED

SIZE A2	CAGE CODE 00779	DRAWING NO. ZEICHNUNGS-NR. C-2172084	RESTRICTED TO NUR FÜR -
SCALE MASSSTAB 4:1	SHEET BLATT 1	OF VON 1	REV A

SIZE ISO 14405 (E)