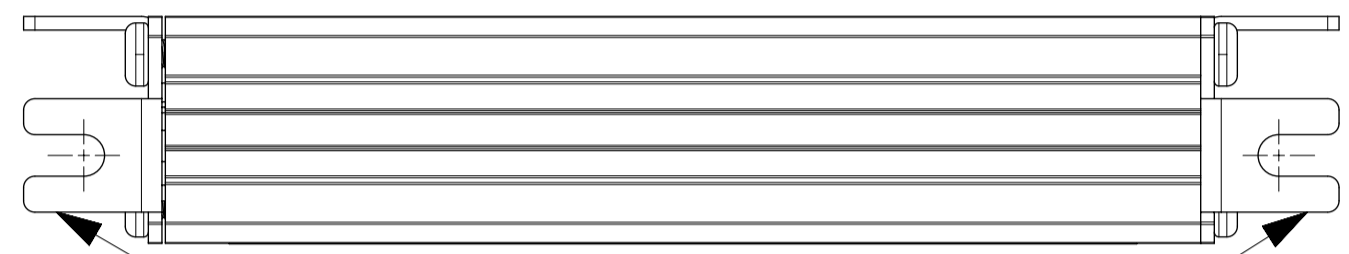
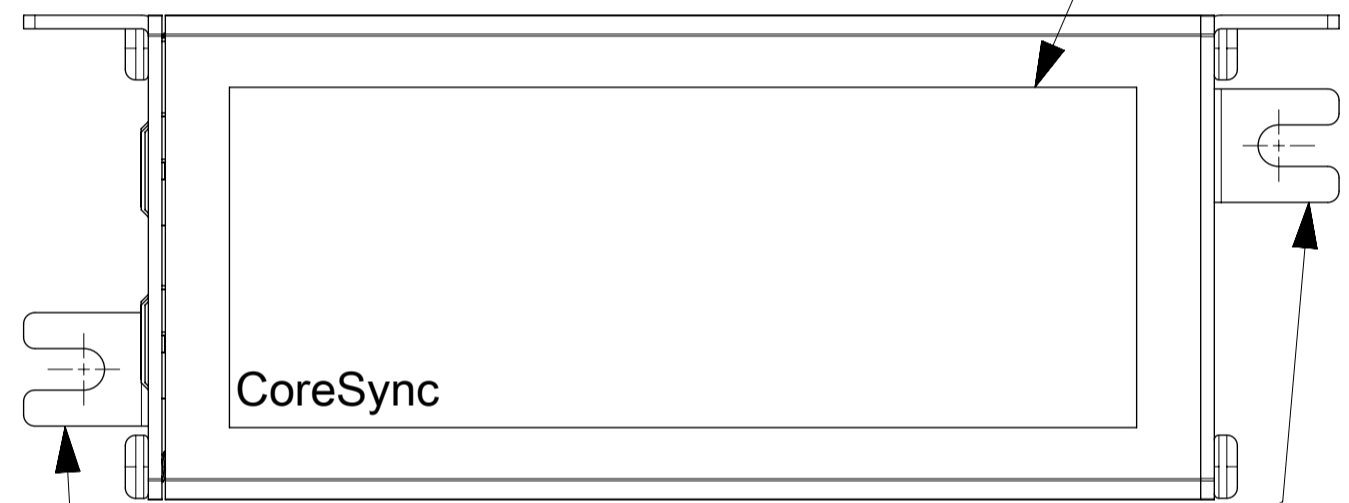


PART NO.	DRIVER ASM	INPUT CURRENT MAX.	OUTPUT CURRENT MAX.	OUTPUT POWER MAX.	STATUS
180996-1004	SINGLE CHANNEL	900mA	1050mA	42W	ACTIVE
180996-1007	SINGLE CHANNEL	260mA	300mA	13W	ACTIVE

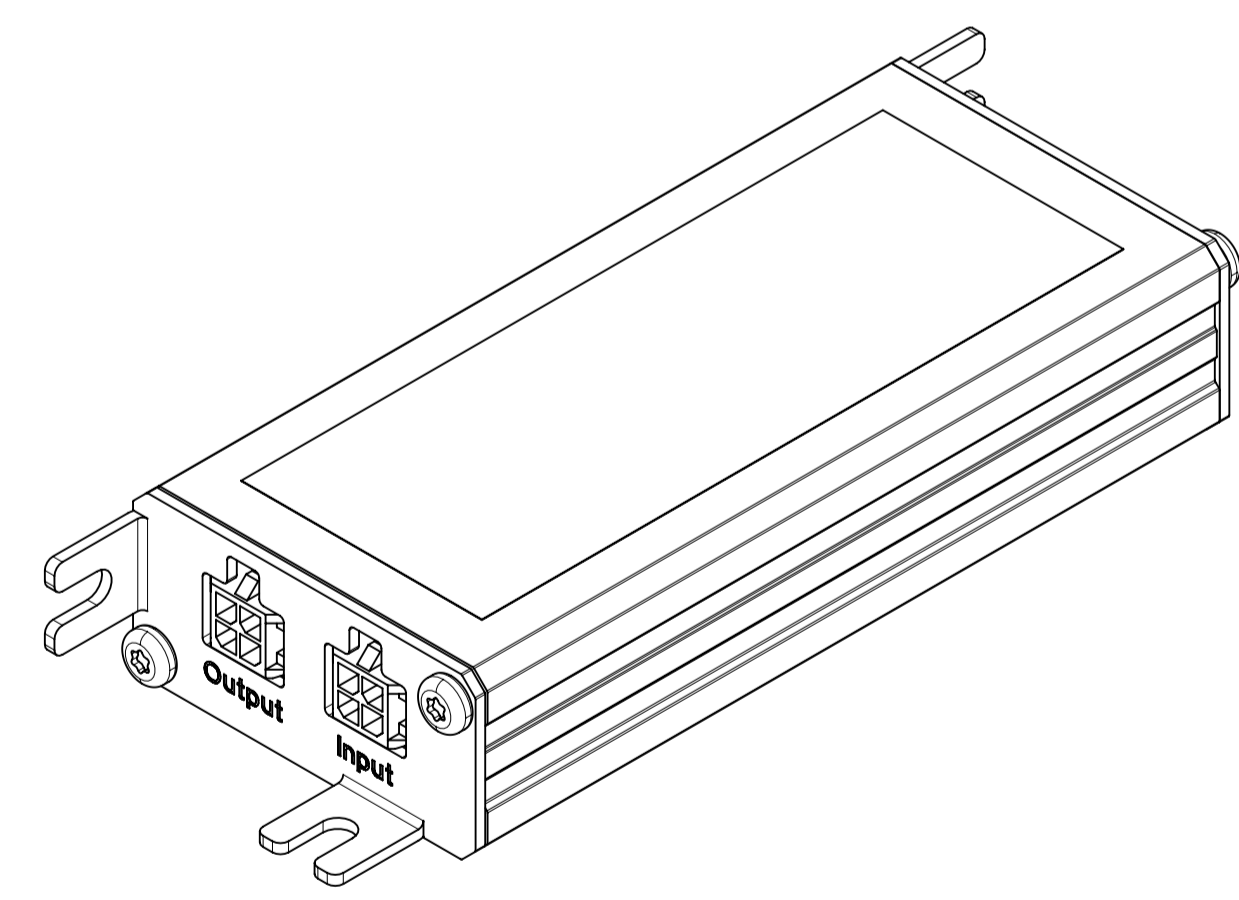
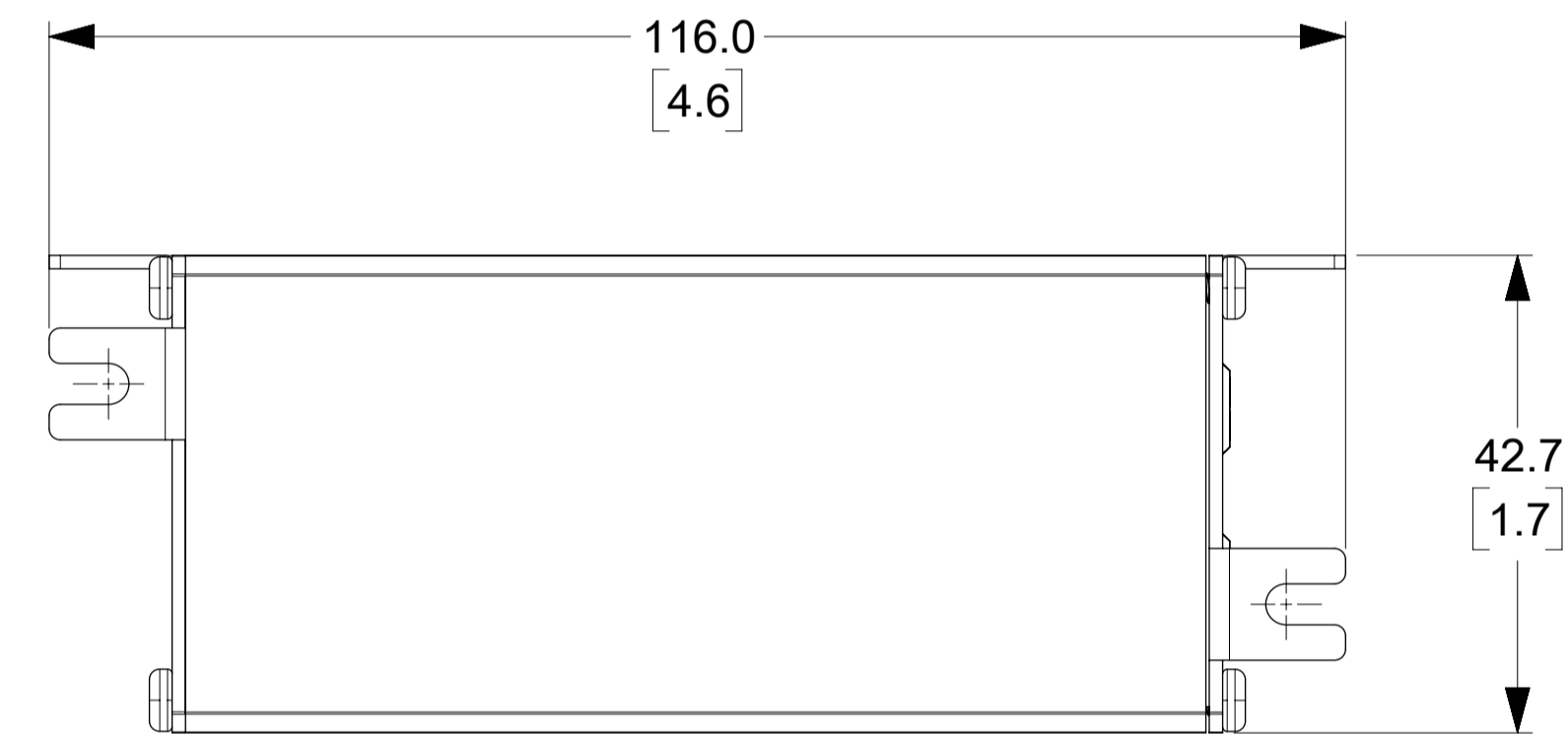
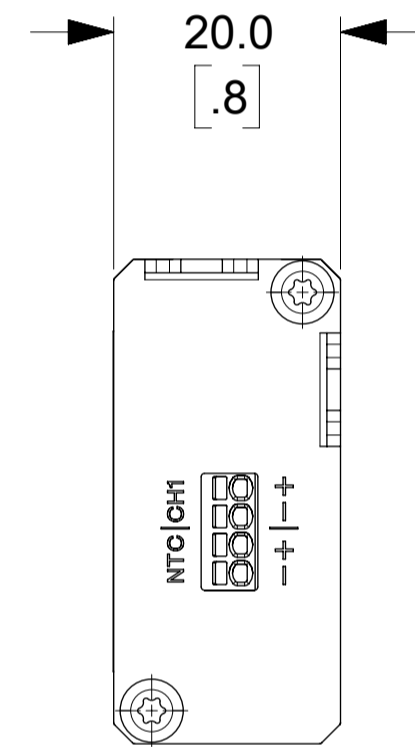
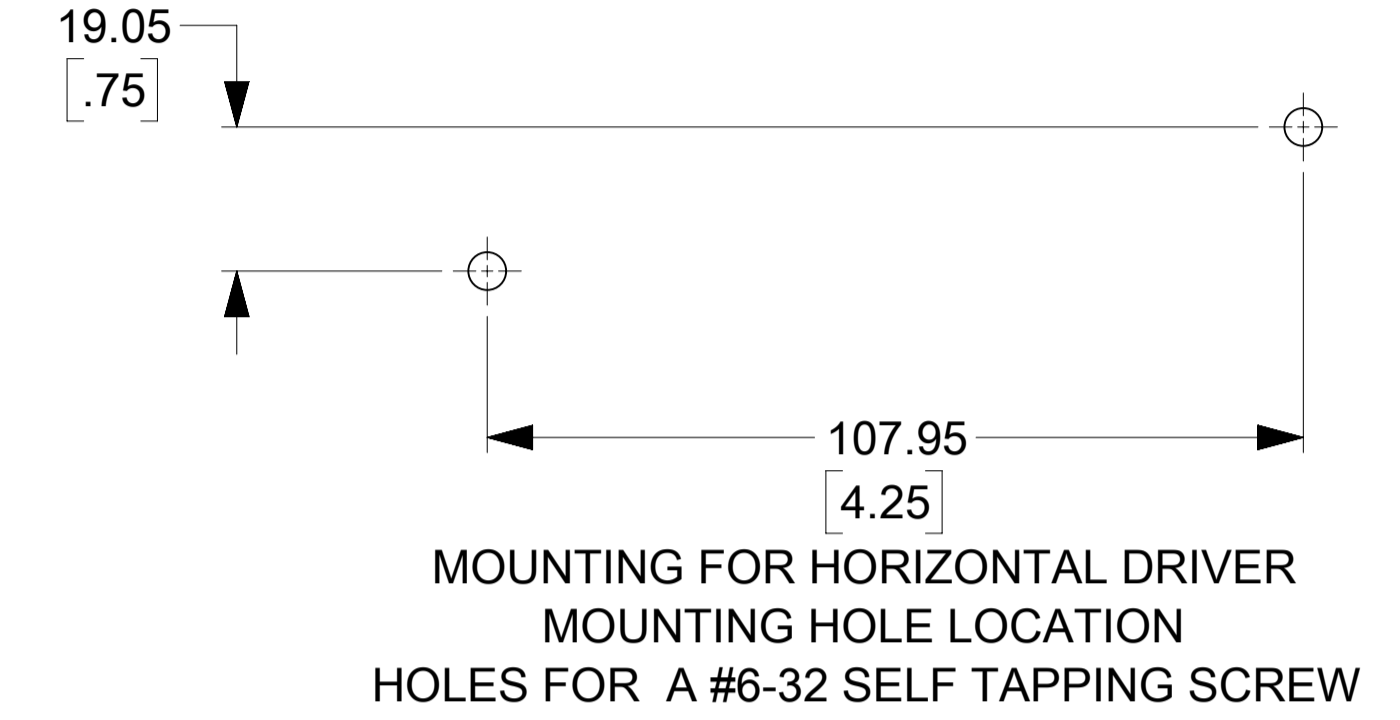
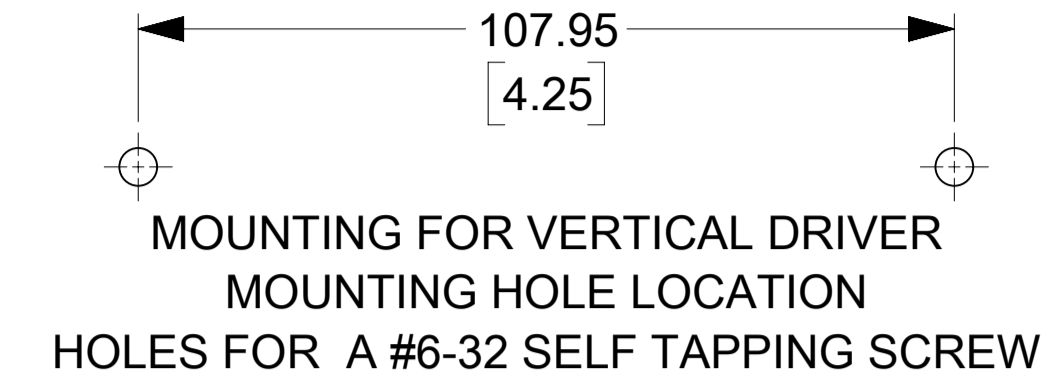
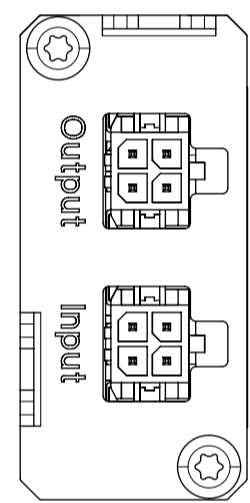
SINGLE DRIVER ASSEMBLY OFFSET MOUNT



TABS FOR MOUNTING DRIVER VERTICAL



TABS FOR MOUNTING DRIVER HORIZONTAL



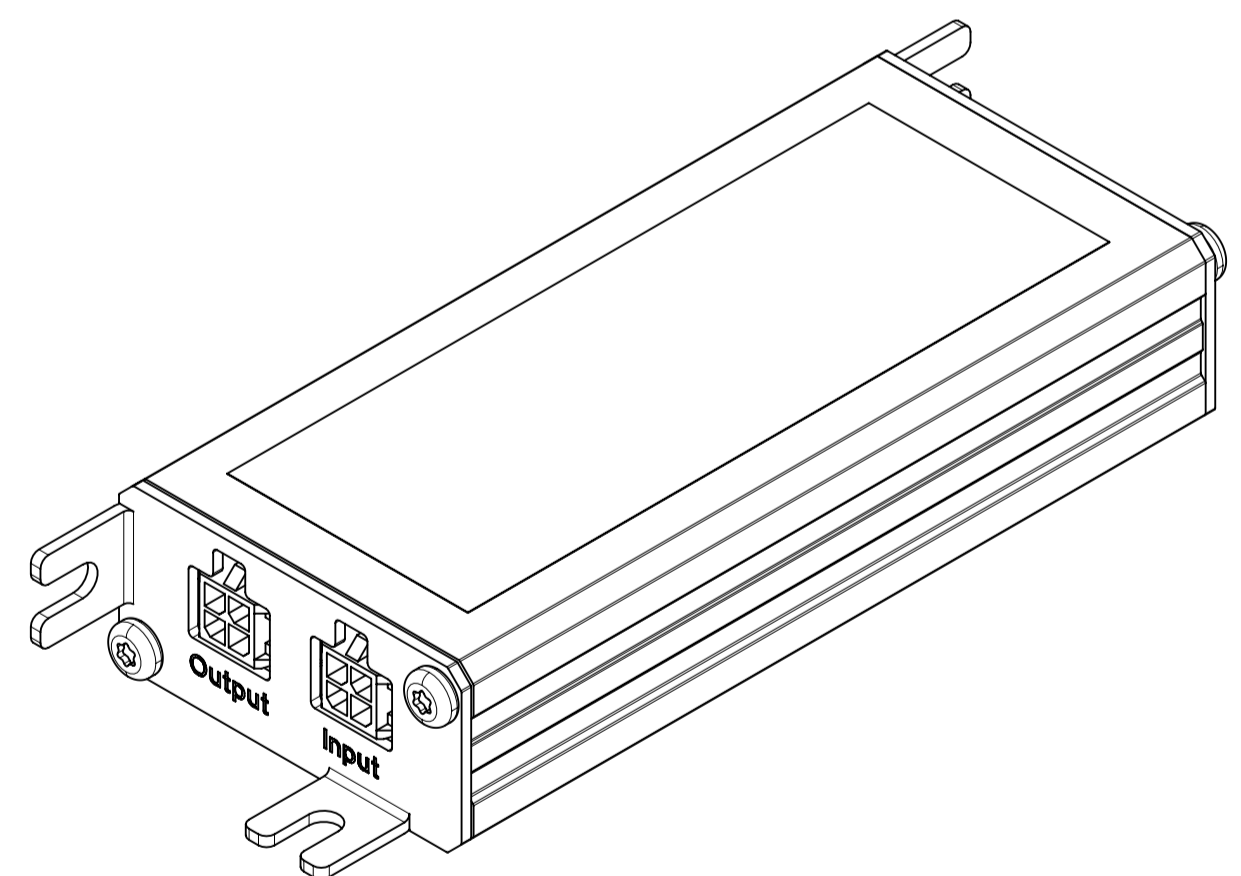
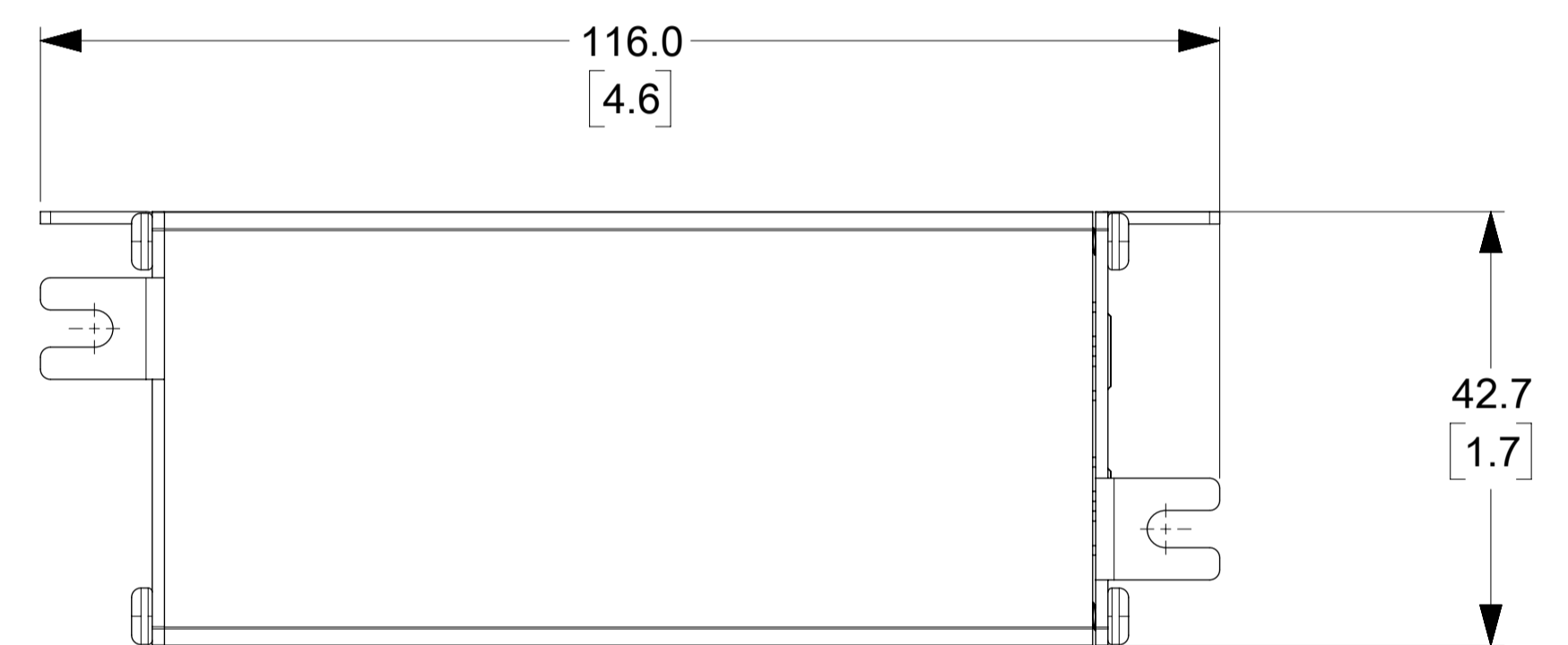
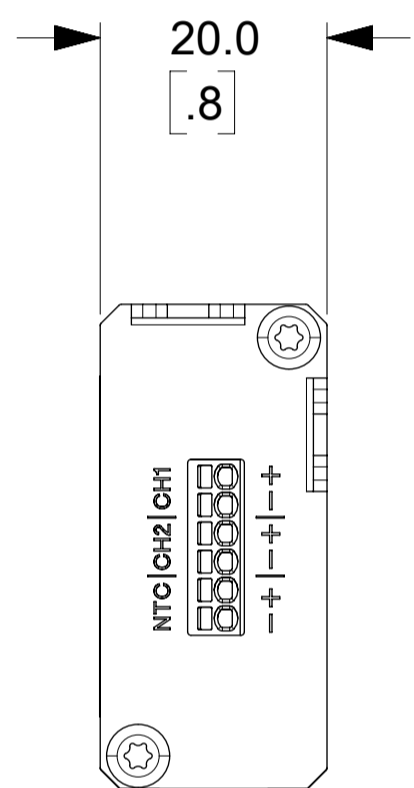
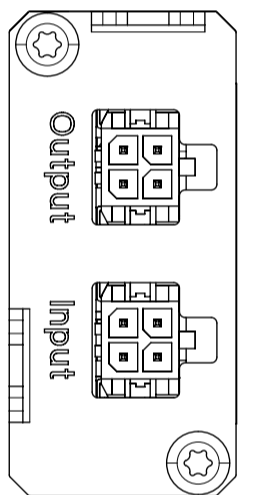
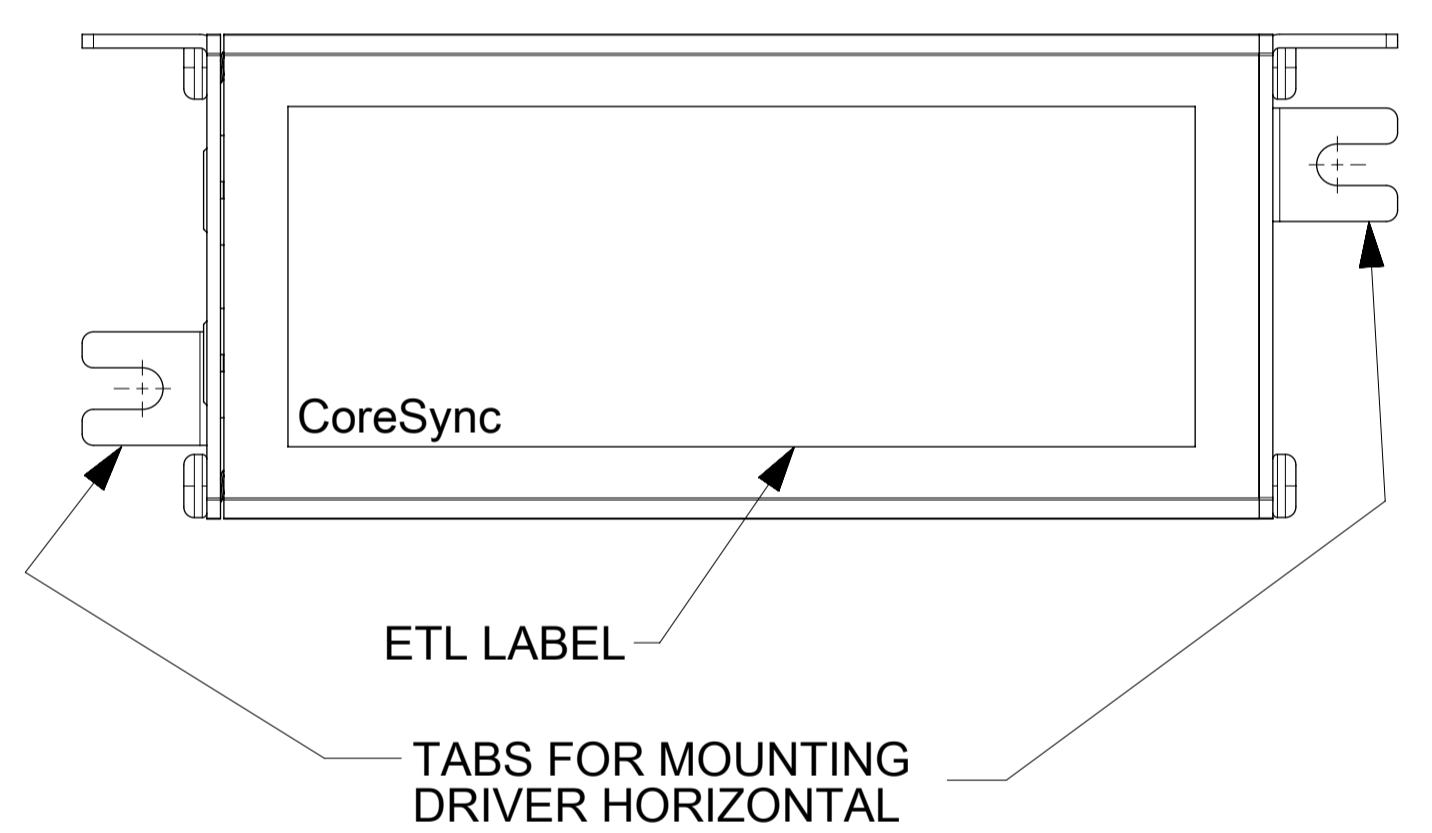
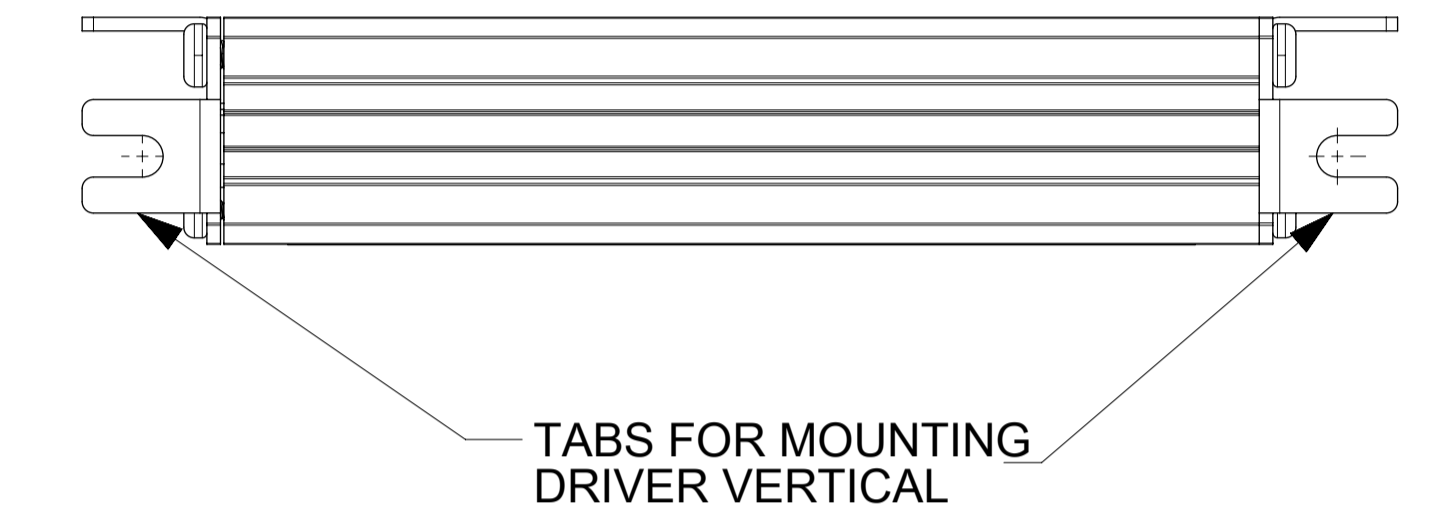
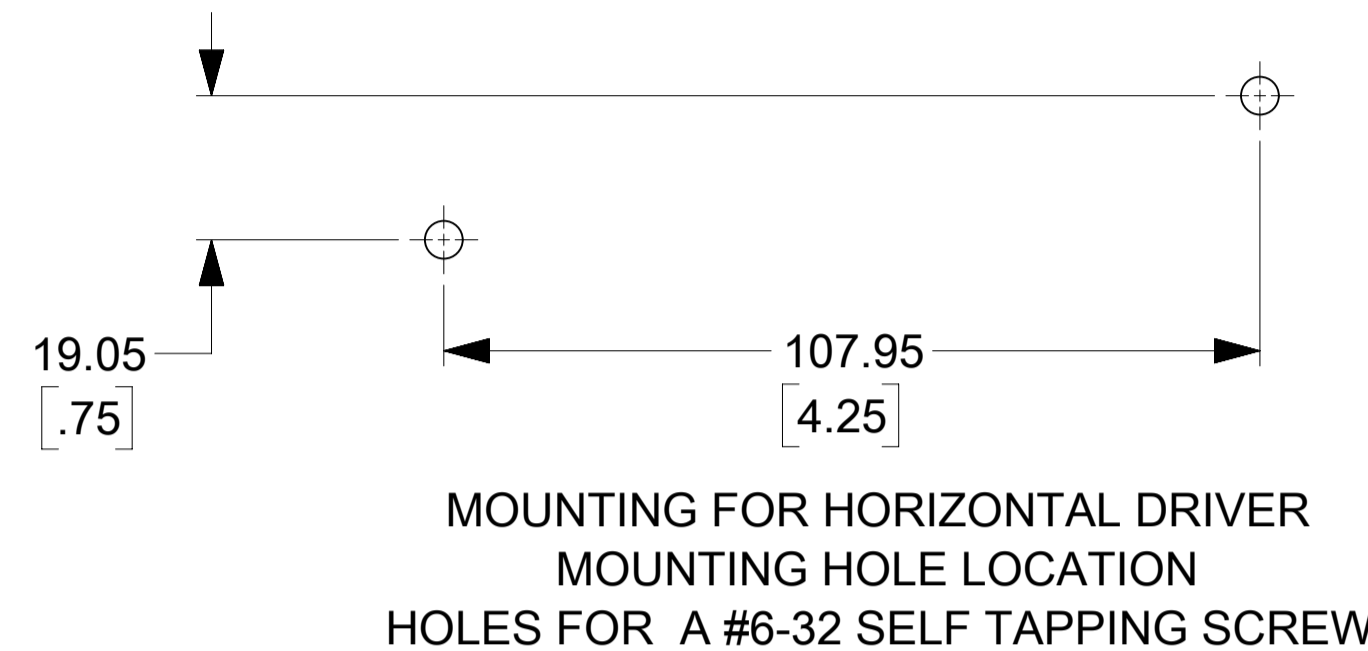
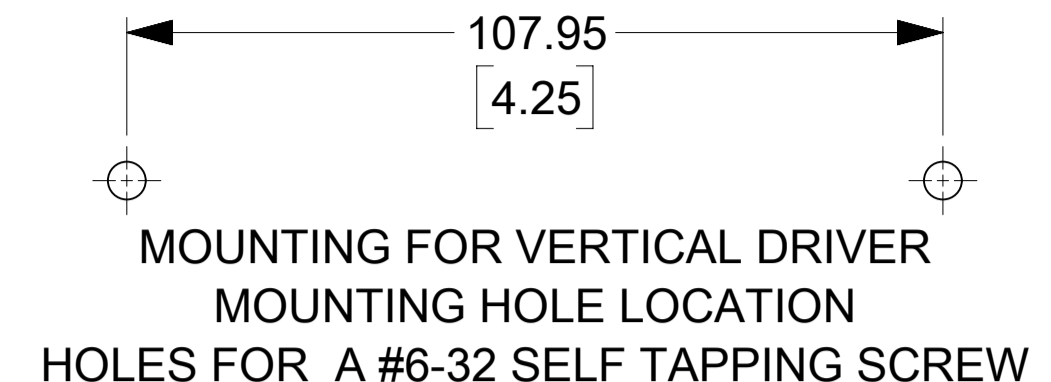
ISO VIEW

- NOTES:
- HOUSING EXTRUSION
MATERIAL: ANODIZED ALUMINUM
 - STAMPED END CAP LEFT & RIGHT
MATERIAL: ALUMINUM
FINISH: TEXTURED POWDER COAT, BLACK

FUNCTIONAL SYMBOLS FA=0 EC=0 EP=0 DIVISIONAL SYMBOLS	THIS DRAWING CONTAINS INFORMATION THAT IS PROPRIETARY TO MOLEX ELECTRONIC TECHNOLOGIES, LLC AND SHOULD NOT BE USED WITHOUT WRITTEN PERMISSION		CURRENT REV DESC:		
	DIMENSION UNITS	SCALE	EC NO: 700562		
	MM/INCH	NTS	DRWN: UKOWSHIKARAN 2022/03/22		
	GENERAL TOLERANCES (UNLESS SPECIFIED)		CHK'D: RCG 2022/03/28		
		MM	INCH	APPR: RCG 2022/03/28	PRODUCT CUSTOMER DRAWING DOCUMENT NUMBER: 1809960000 DOC TYPE: PSD DOC PART: 000 REVISION: B
		4 PLACES ±	±	INITIAL REVISION:	
		3 PLACES ±	±	DRWN: GALLEN02 2017/12/12	
		2 PLACES ±	± 0.01	APPR: JAGRO 2018/10/03	
		1 PLACE ±	± 0.02		
		0 PLACES ±	±		
		ANGULAR TOL	± °		
DRAFT WHERE APPLICABLE MUST REMAIN WITHIN DIMENSIONS		THIRD ANGLE PROJECTION	DRAWING	SERIES	MATERIAL NUMBER
			A1-SIZE	180996	SEE TABLE
					CUSTOMER
					GENERAL MARKET
					SHEET NUMBER
					1 OF 7

DUAL DRIVER ASSEMBLY OFFSET MOUNT

PART NO.	DRIVER ASM	INPUT CURRENT MAX.	OUTPUT CURRENT MAX.	OUTPUT POWER MAX.	STATUS
180996-2001	DUAL CHANNEL	300mA	350mA	14W	ACTIVE
180996-2002	DUAL CHANNEL	430mA	500mA	20W	ACTIVE
180996-2003	DUAL CHANNEL	600mA	700mA	28W	ACTIVE
180996-2004	DUAL CHANNEL	900mA	1050mA	42W	ACTIVE
180996-2006	DUAL CHANNEL	750mA	880mA	35W	ACTIVE



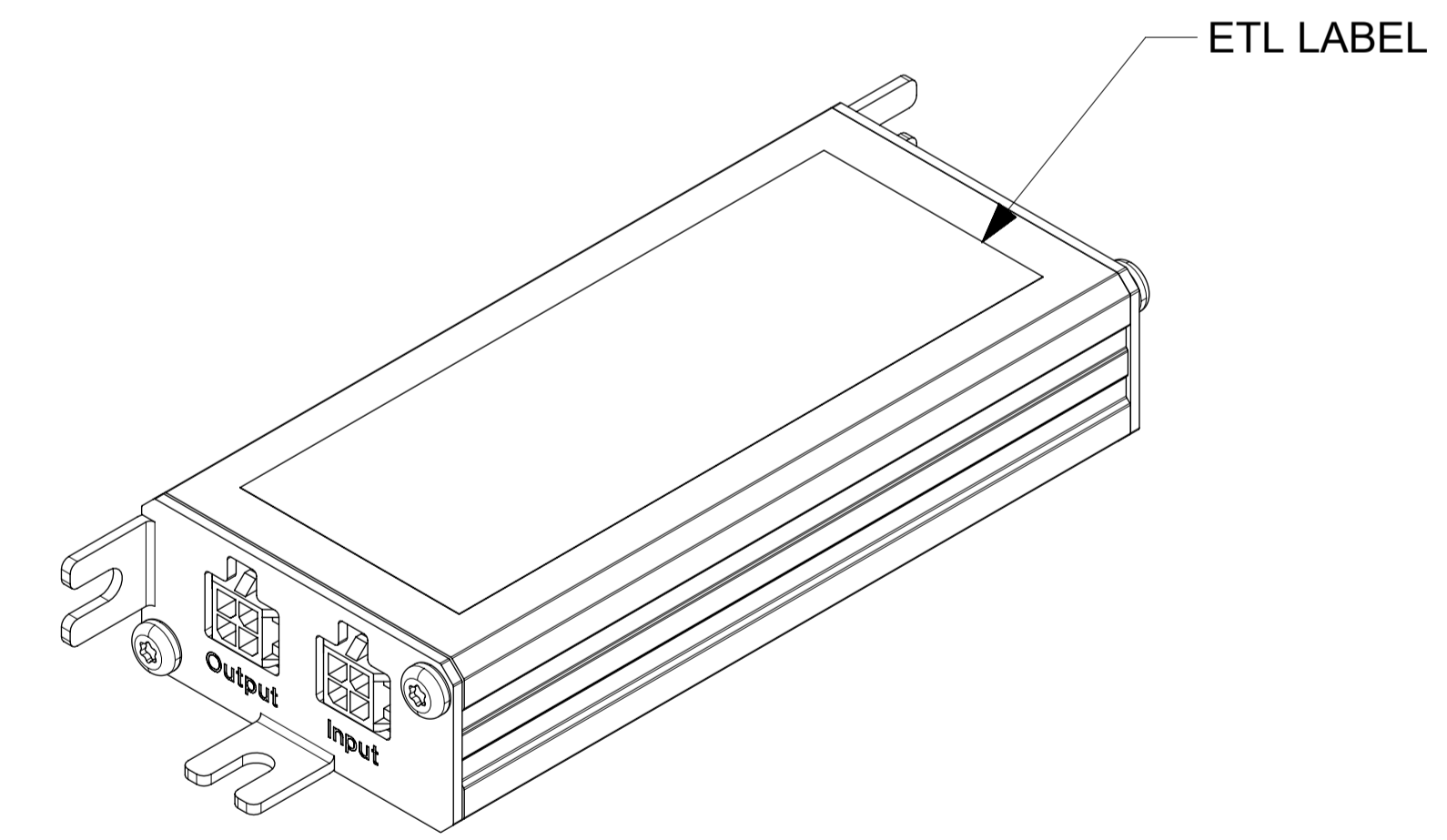
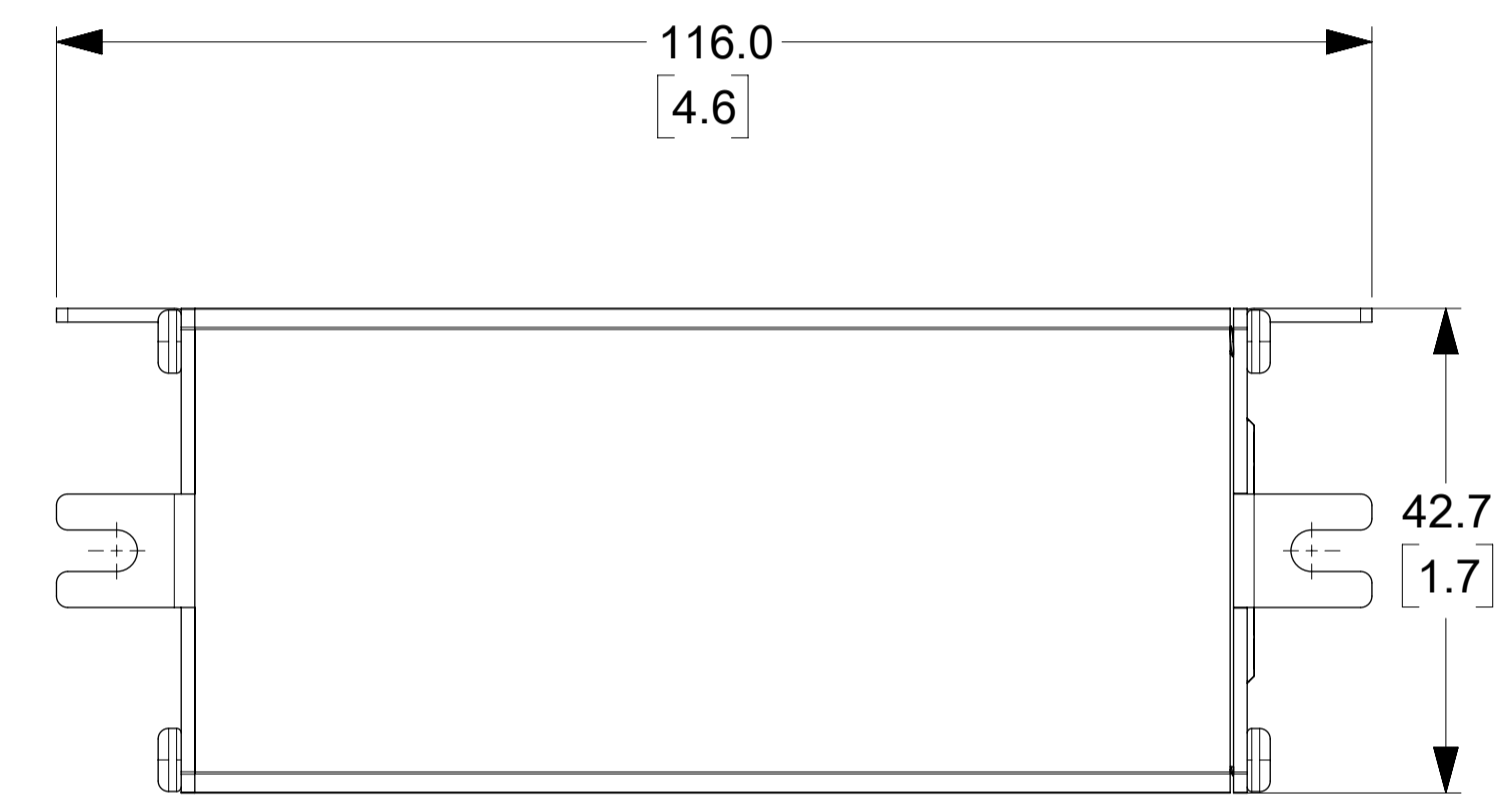
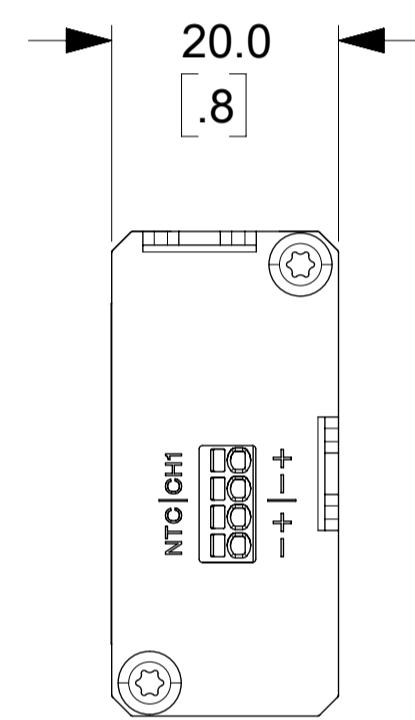
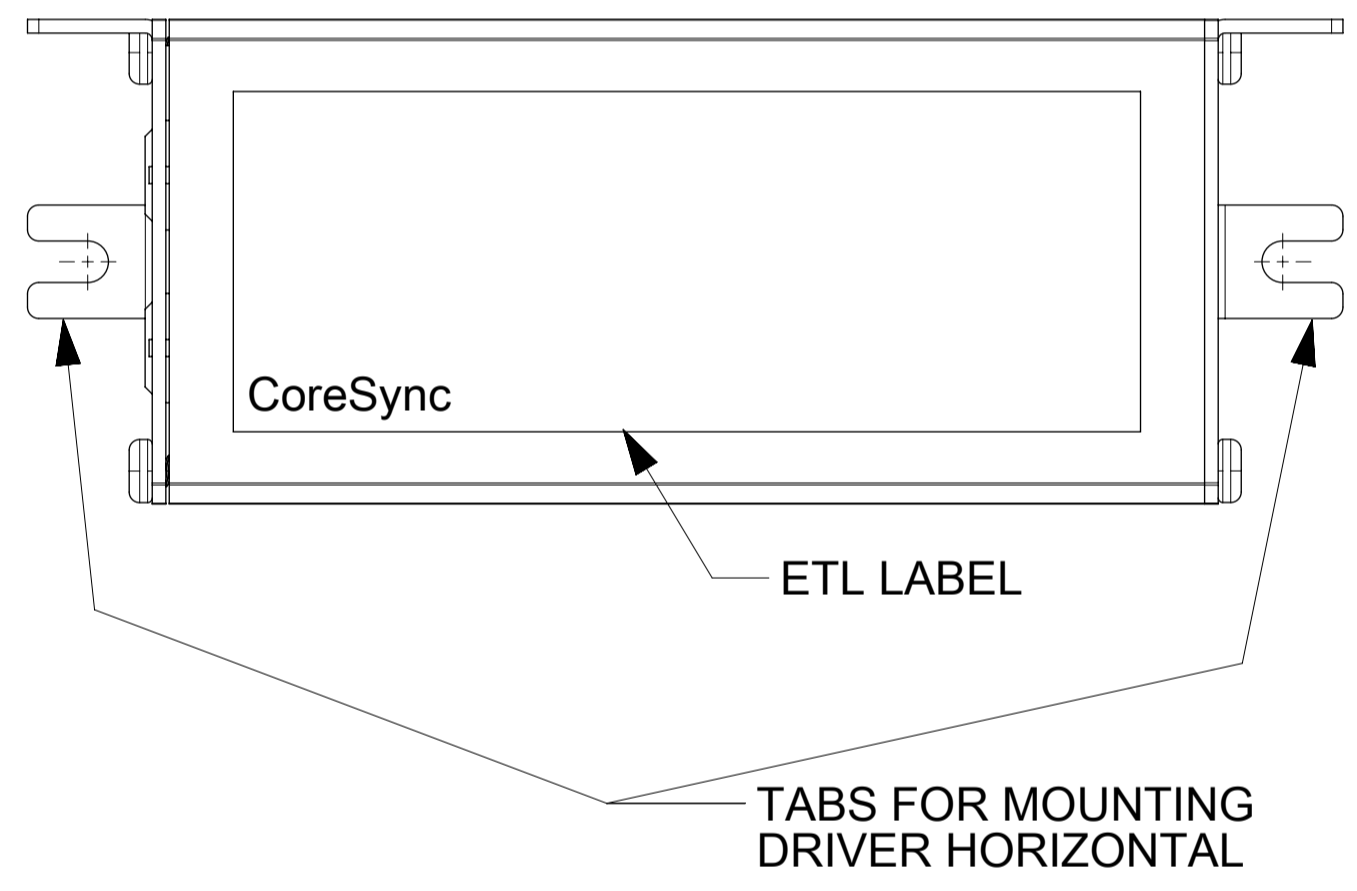
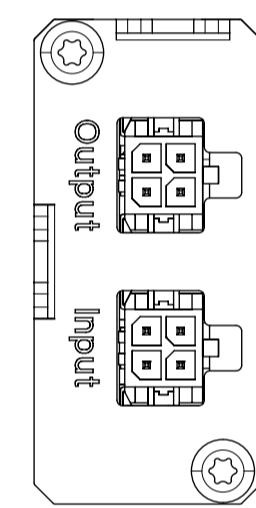
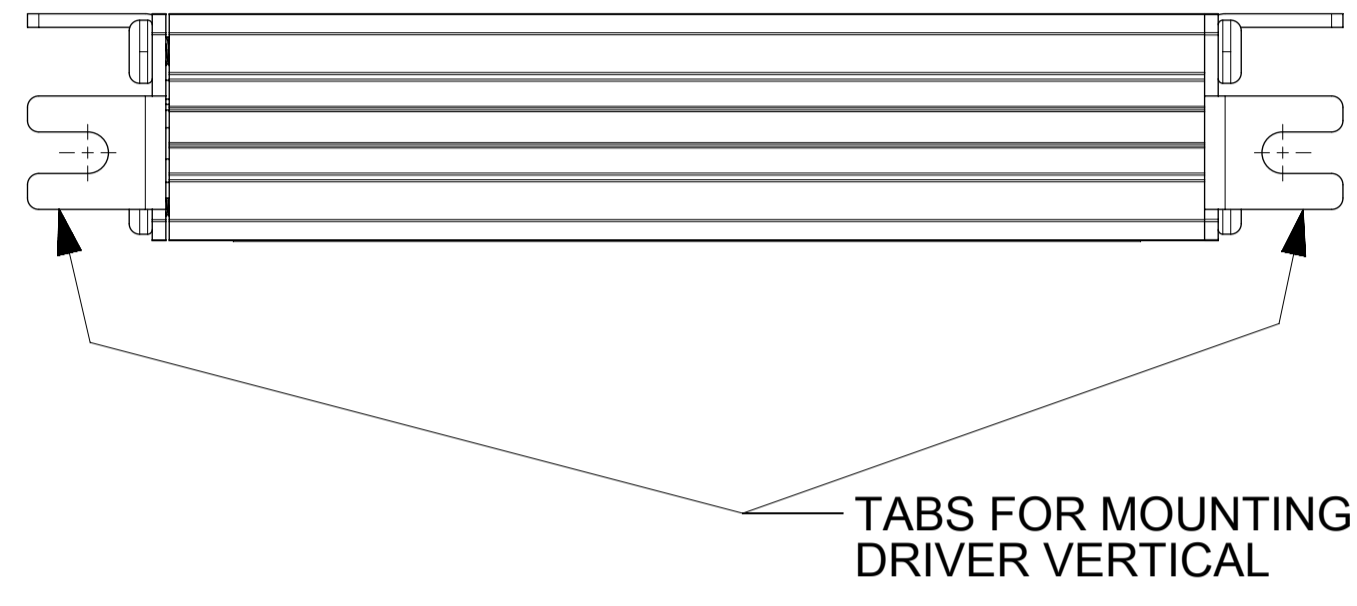
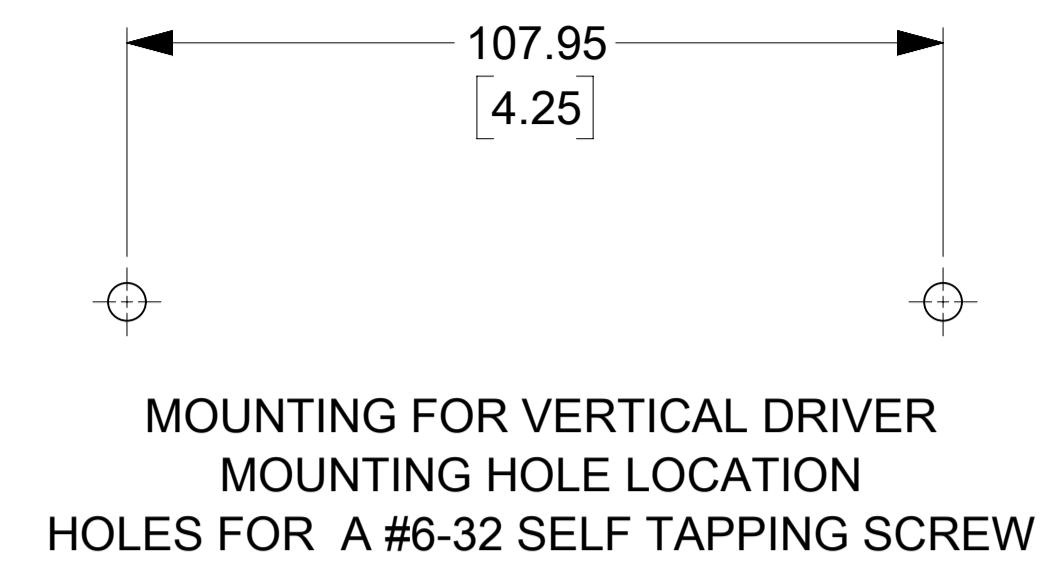
ISO VIEW

- NOTES:
- HOUSING EXTRUSION
MATERIAL: ANODIZED ALUMINUM
 - STAMPED END CAP LEFT & RIGHT
MATERIAL: ALUMINUM
FINISH: TEXTURED POWDER COAT, BLACK

FUNCTIONAL SYMBOLS	THIS DRAWING CONTAINS INFORMATION THAT IS PROPRIETARY TO MOLEX ELECTRONIC TECHNOLOGIES, LLC AND SHOULD NOT BE USED WITHOUT WRITTEN PERMISSION		CURRENT REV DESC:					
	DIMENSION UNITS	SCALE						
DIVISIONAL SYMBOLS	MM/INCH	NTS	EC NO: 700562		PRODUCT CUSTOMER DRAWING			
	GENERAL TOLERANCES (UNLESS SPECIFIED)		DRWN: UKOWSHIKARAN		DOCUMENT NUMBER			
			CHK'D: RCG		1809960000			
			APPR: RCG		DOC TYPE DOC PART REVISION			
			INITIAL REVISION:		PSD 000 B			
			DRWN: GALLENO2		MATERIAL NUMBER			
			APPR: JAGRO		CUSTOMER			
			DRAFT WHERE APPLICABLE MUST REMAIN WITHIN DIMENSIONS		SHEET NUMBER			
			THIRD ANGLE PROJECTION		2 OF 7			
			DRAWING		SEE TABLE			
			SERIES		GENERAL MARKET			
			A1-SIZE					
			180996					

PART NO.	DRIVER ASM	INPUT CURRENT MAX.	OUTPUT CURRENT MAX.	OUTPUT POWER MAX.	STATUS
180996-3104	SINGLE CHANNEL	900mA	1050mA	42W	ACTIVE
180996-3107	SINGLE CHANNEL	260mA	300mA	13W	ACTIVE

SINGLE DRIVER ASSEMBLY CENTER MOUNT



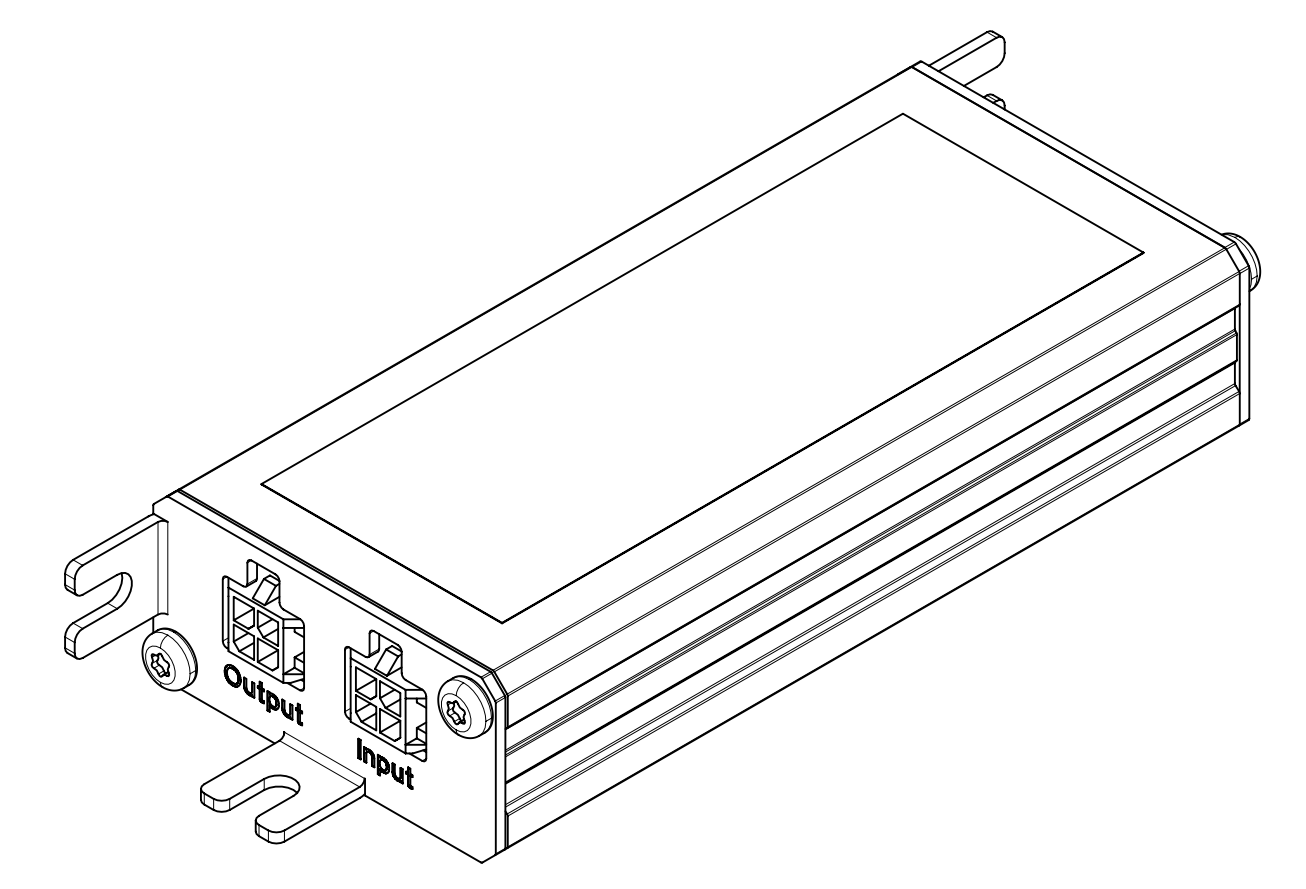
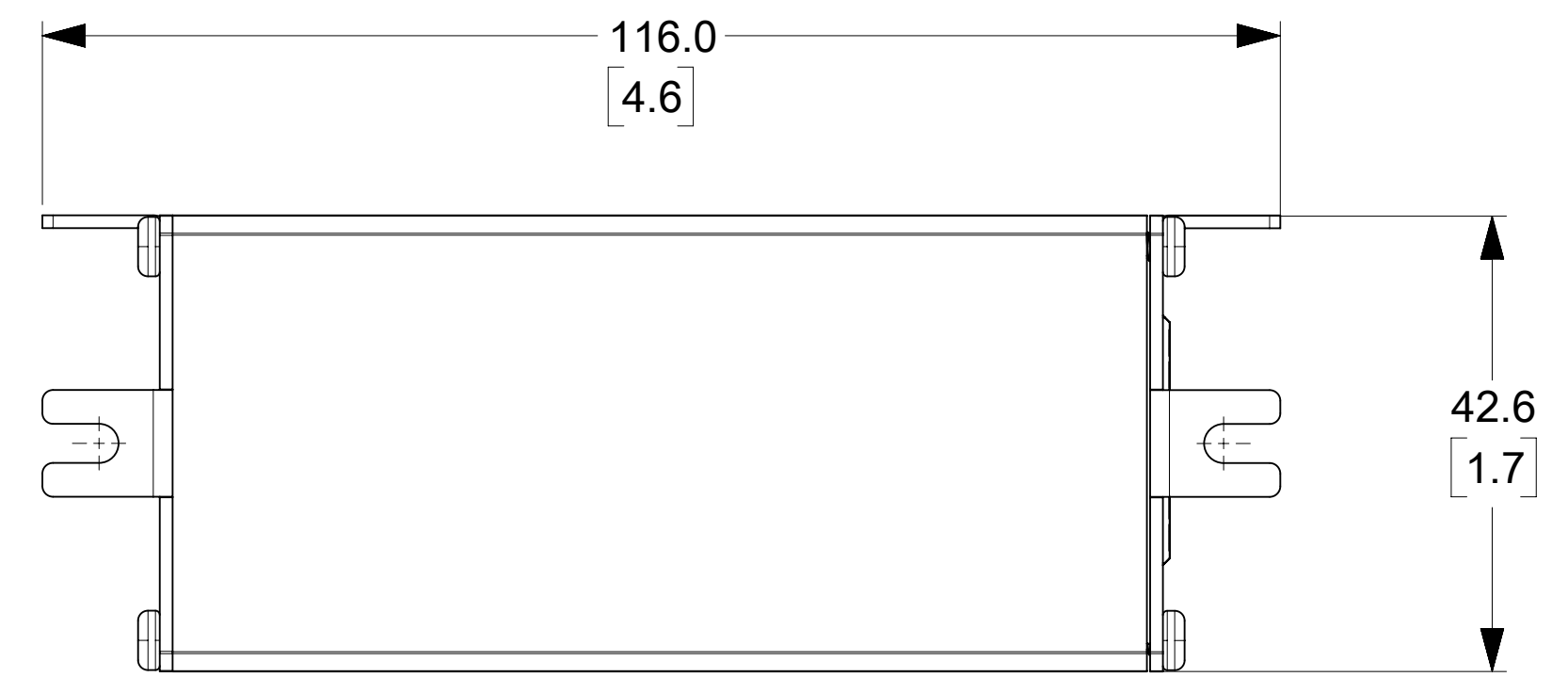
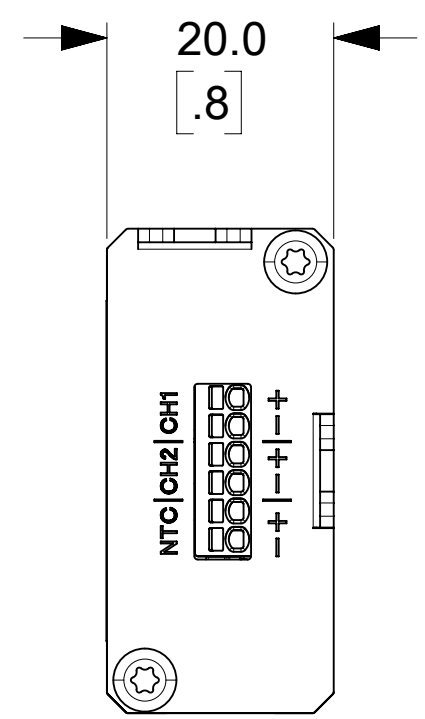
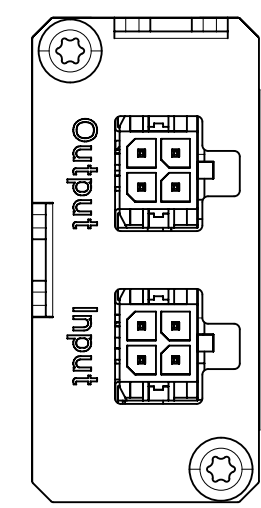
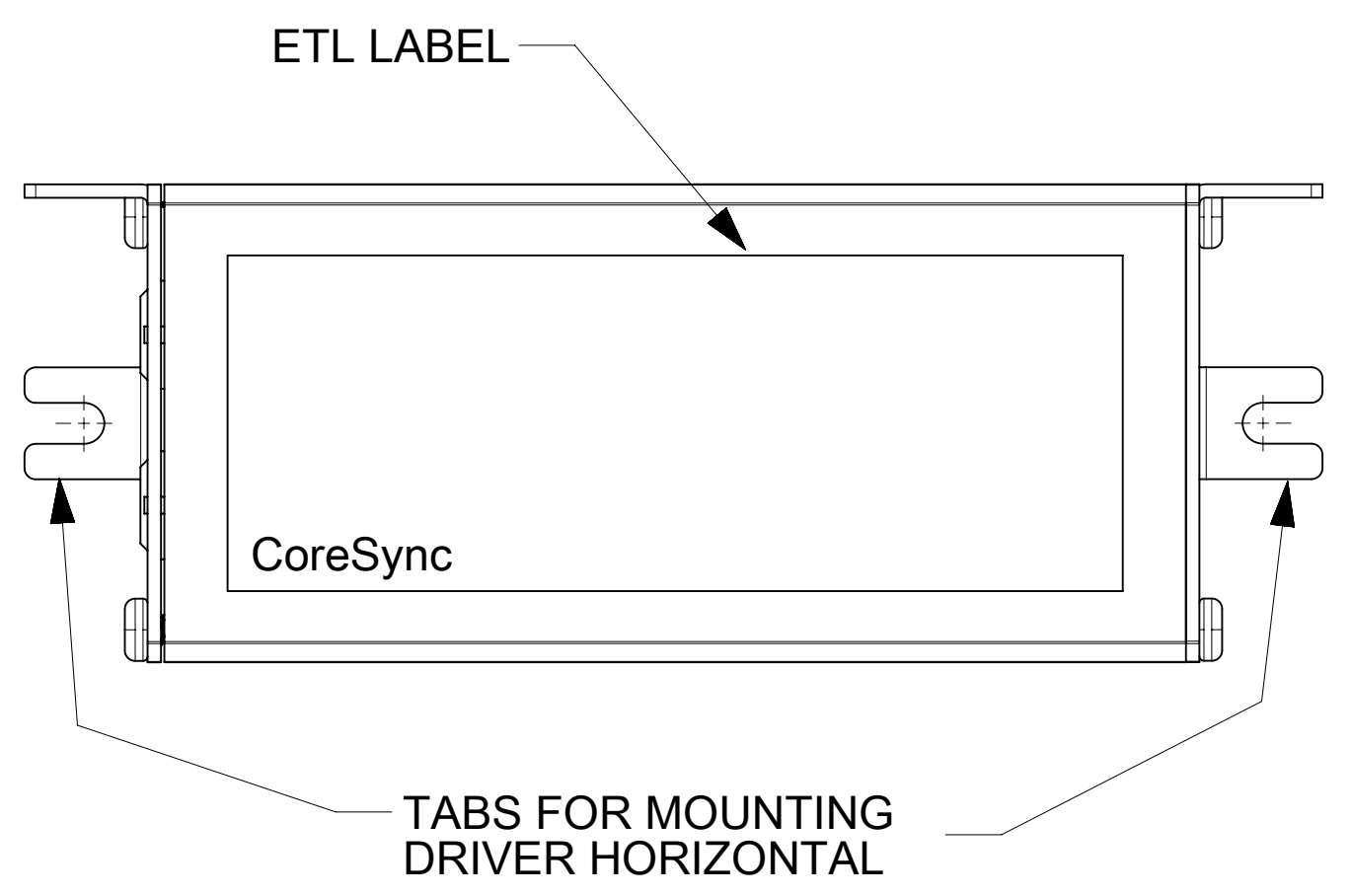
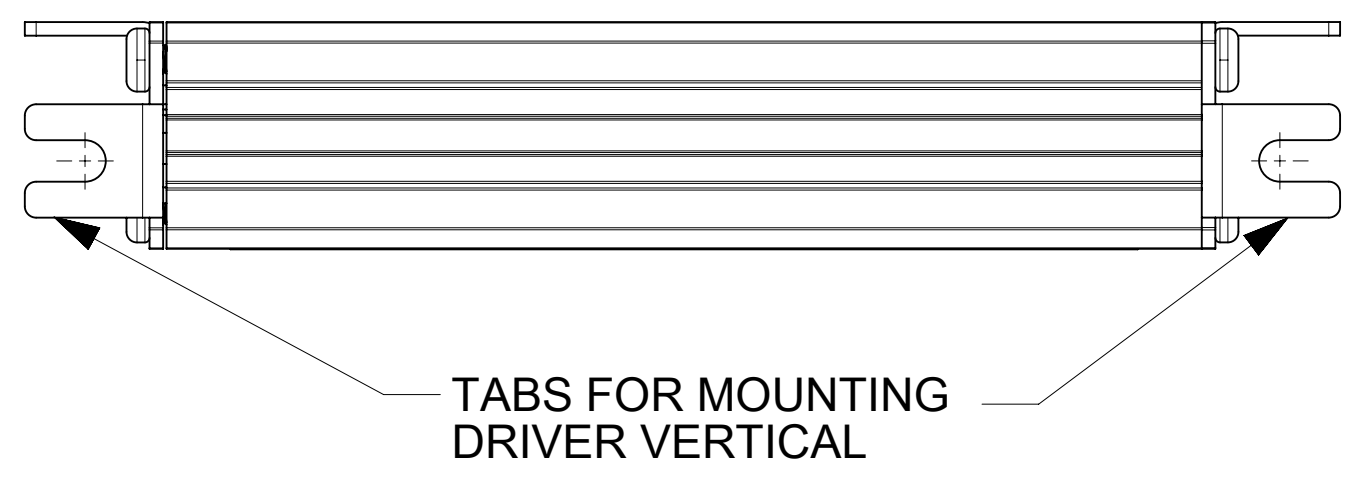
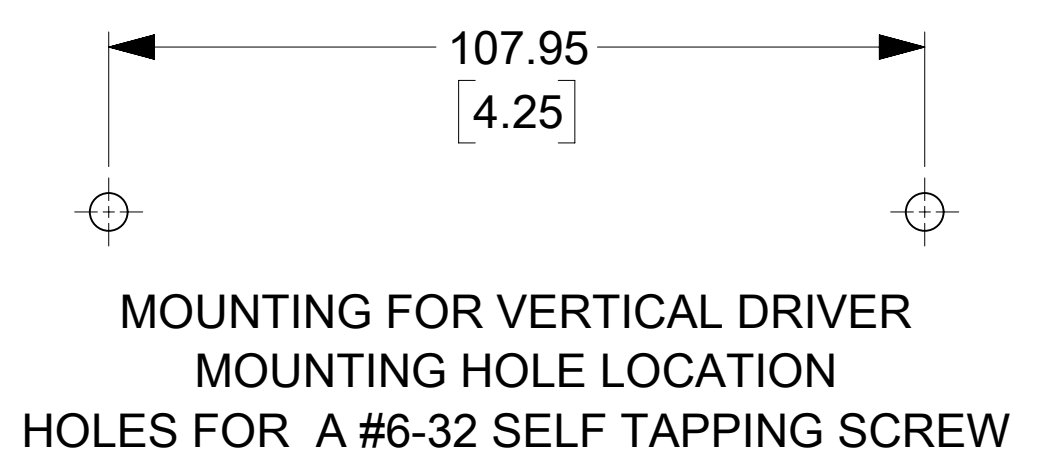
ISO VIEW

- NOTES:
- HOUSING EXTRUSION
MATERIAL: ANODIZED ALUMINUM
 - STAMPED END CAP LEFT & RIGHT
MATERIAL: ALUMINUM
FINISH: TEXTURED POWDER COAT, BLACK

FUNCTIONAL SYMBOLS $\frac{E}{A} = 0$ $\frac{E}{C} = 0$ $\frac{E}{P} = 0$	THIS DRAWING CONTAINS INFORMATION THAT IS PROPRIETARY TO MOLEX ELECTRONIC TECHNOLOGIES, LLC AND SHOULD NOT BE USED WITHOUT WRITTEN PERMISSION		CURRENT REV DESC:			
	DIMENSION UNITS	SCALE	EC NO: 700562			
	MM/INCH	NTS	DRWN: UKOWSHIKARAN 2022/03/28			
	GENERAL TOLERANCES (UNLESS SPECIFIED)		CHK'D: RCG 2022/03/28			
DIVISIONAL SYMBOLS 4 PLACES ± 3 PLACES ± 2 PLACES ± 0.25 ± 0.01 1 PLACE ± 0.5 ± 0.02 0 PLACES ± ANGULAR TOL ± °	MM	INCH	APPR: RCG 2022/03/28		PRODUCT CUSTOMER DRAWING DOCUMENT NUMBER 1809960000	
	INITIAL REVISION:		DOC TYPE	DOC PART		REVISION
	DRAFT WHERE APPLICABLE MUST REMAIN WITHIN DIMENSIONS		THIRD ANGLE PROJECTION	DRAWING	SERIES	PSD 000 B
				A1-SIZE	180996	SEE TABLE
					CUSTOMER	
					GENERAL MARKET	
					SHEET NUMBER	
					3 OF 7	

PART NO.	DRIVER ASM	INPUT CURRENT MAX.	OUTPUT CURRENT MAX.	OUTPUT POWER MAX.	STATUS
180996-4101	DUAL CHANNEL	300mA	350mA	14W	ACTIVE
180996-4103	DUAL CHANNEL	600mA	700mA	28W	ACTIVE
180996-4104	DUAL CHANNEL	900mA	1050mA	42W	ACTIVE
180996-4106	DUAL CHANNEL	750mA	880mA	35W	ACTIVE

DUAL DRIVER ASSEMBLY CENTER MOUNT

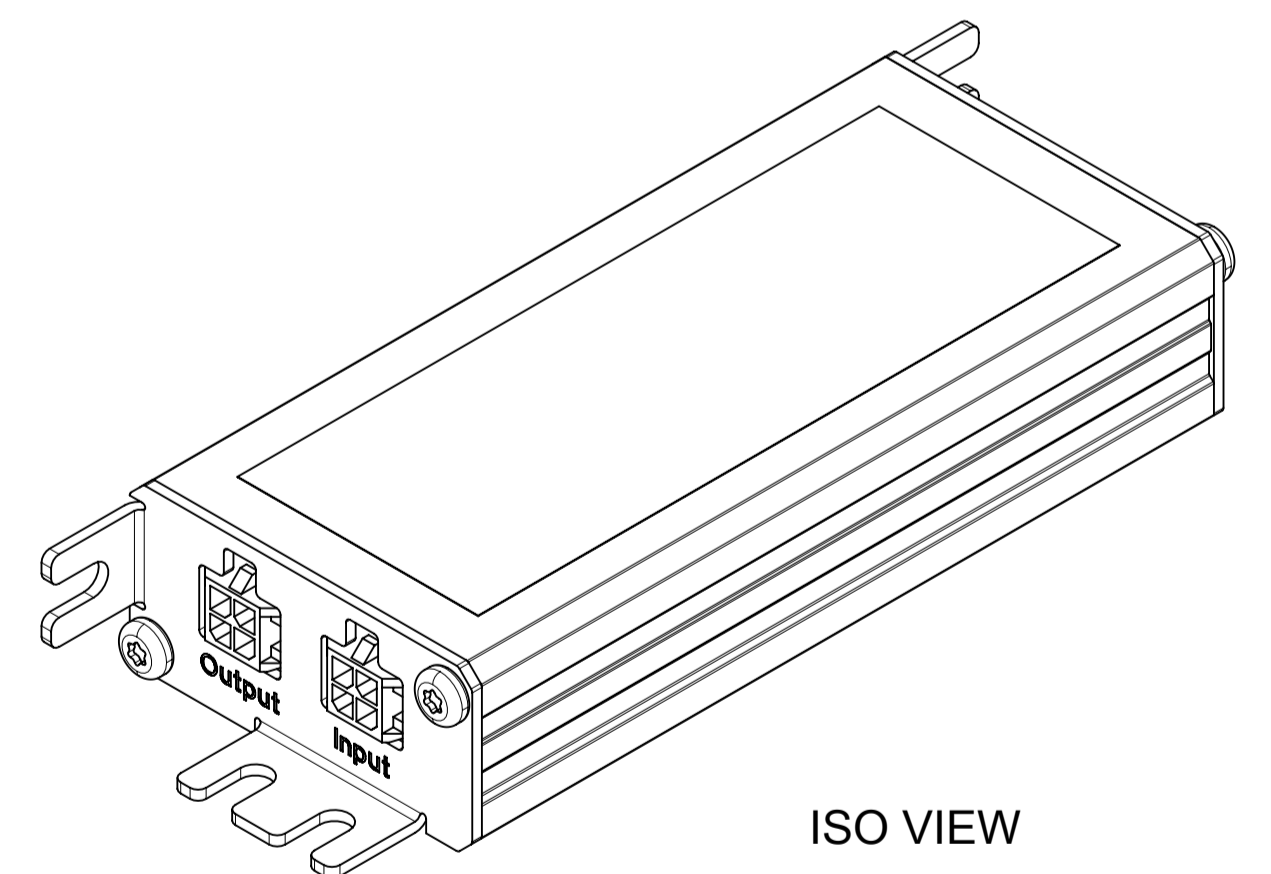
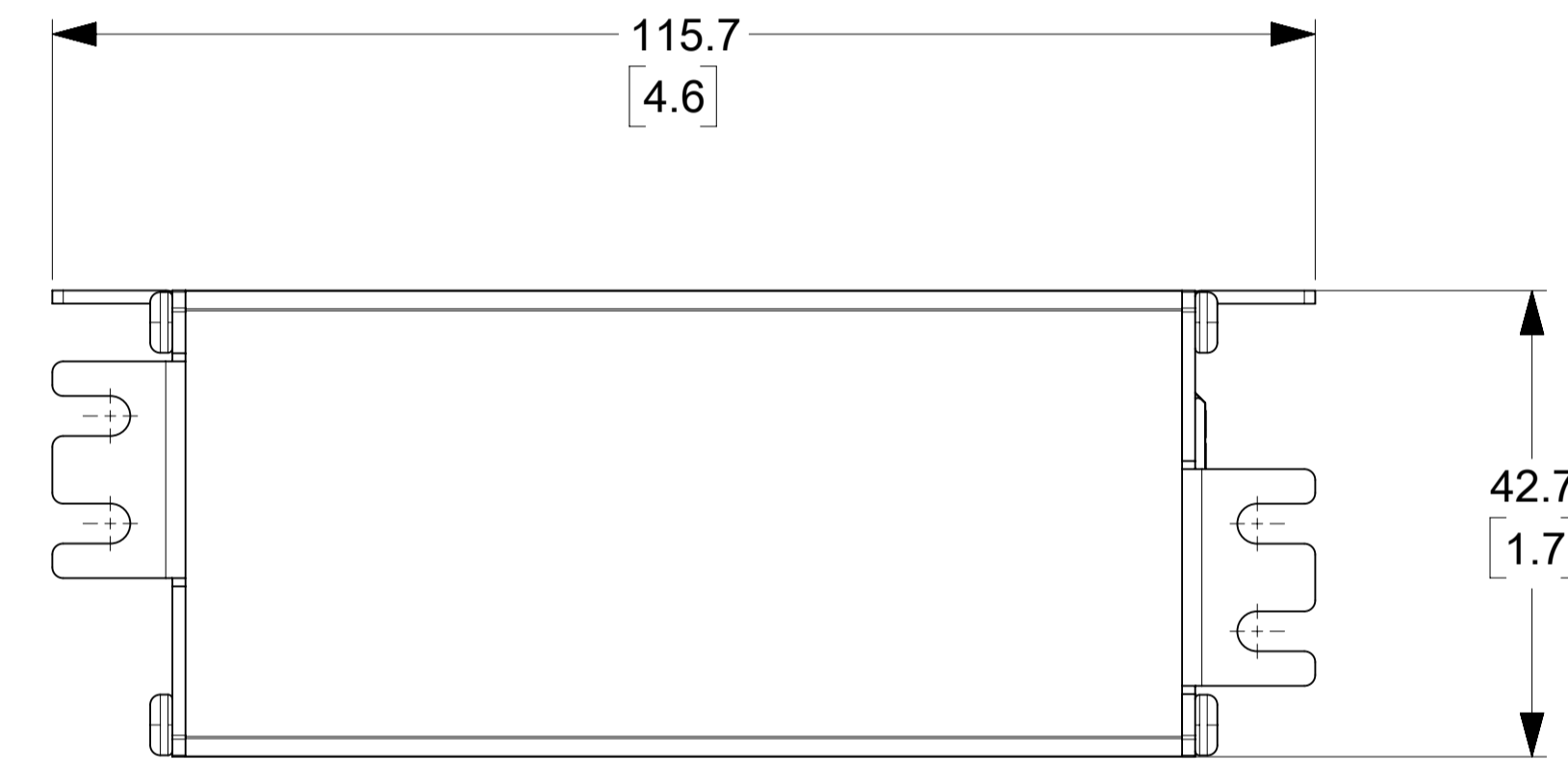
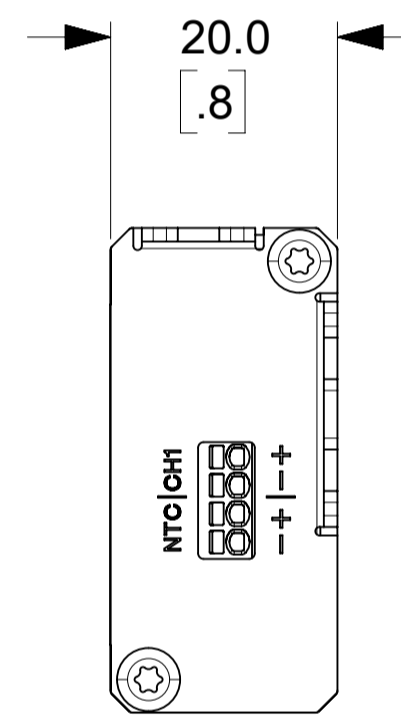
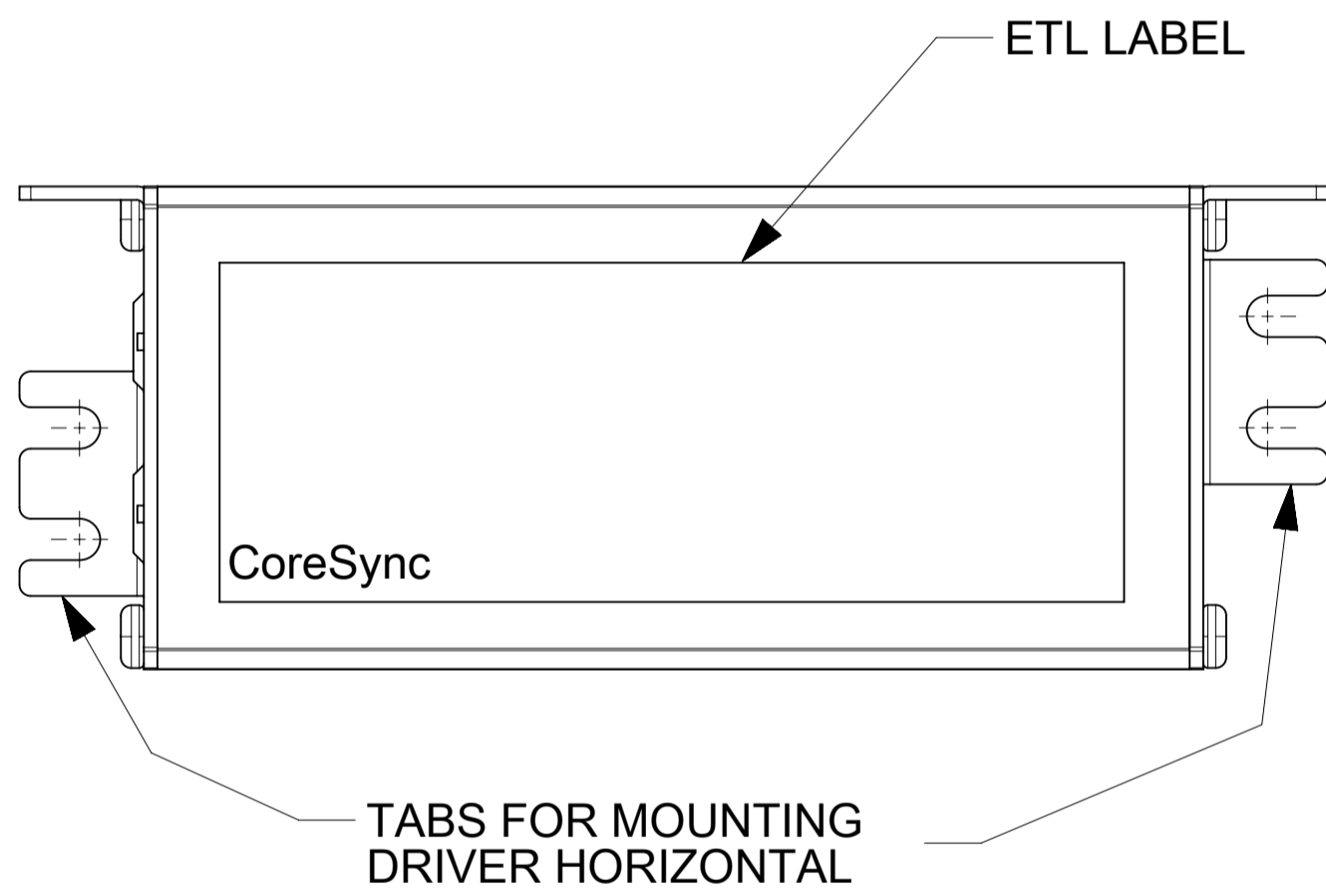
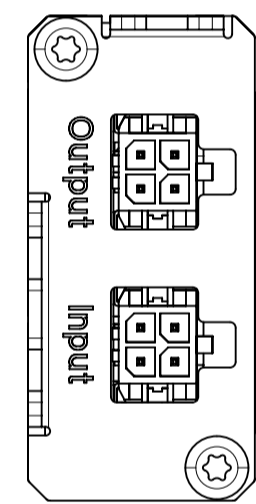
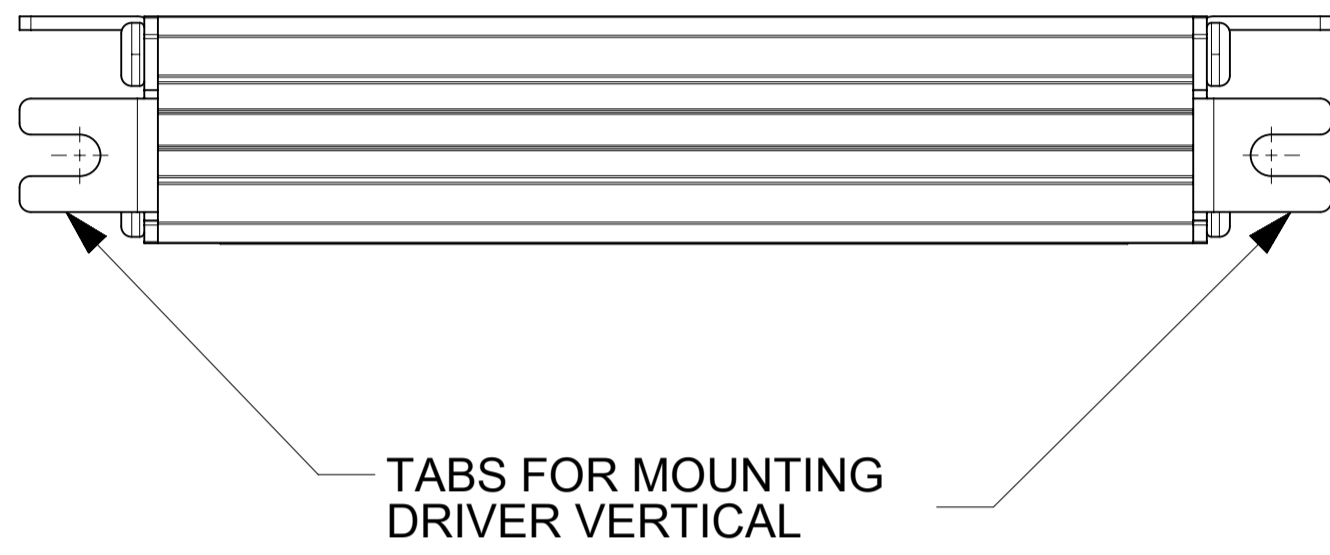
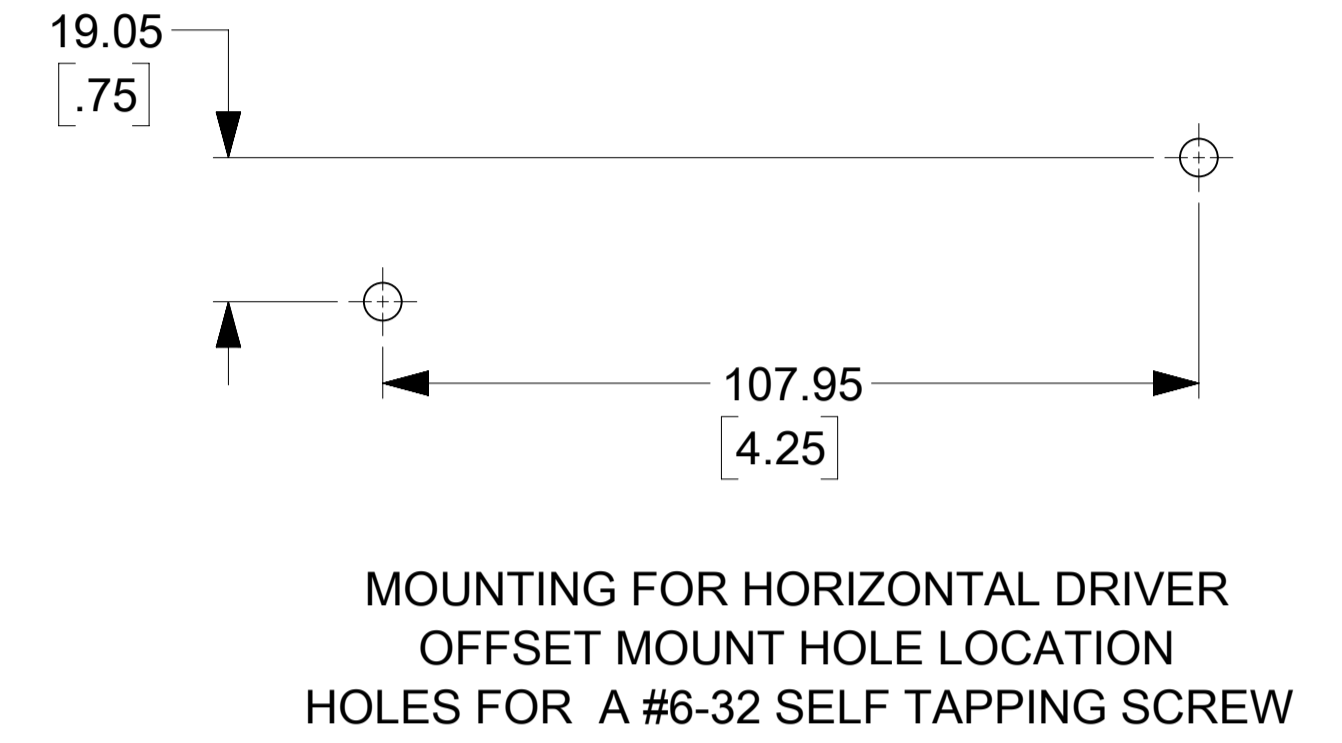
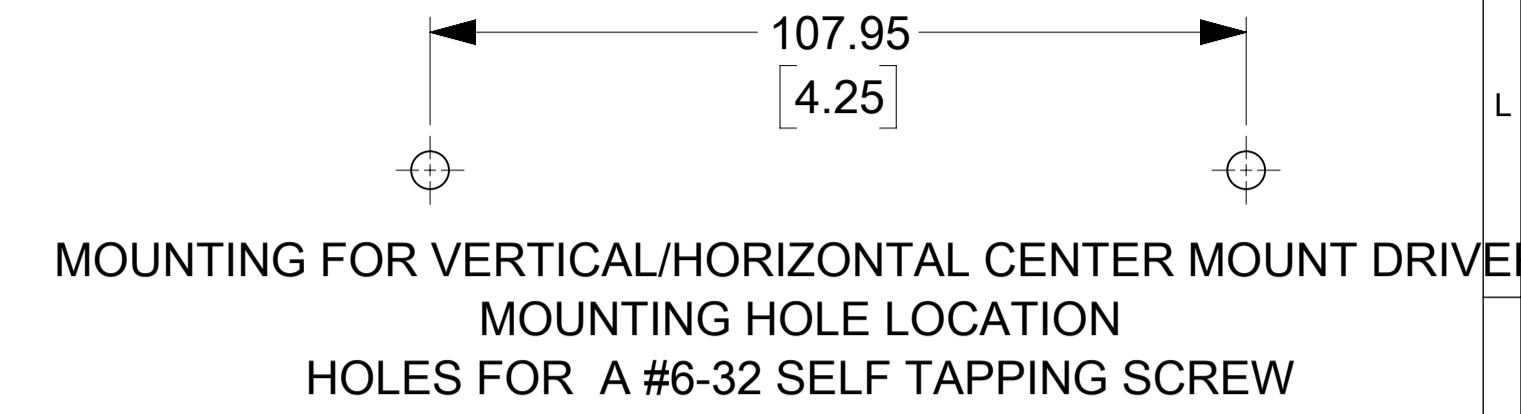


- NOTES:
- HOUSING EXTRUSION
MATERIAL: ANODIZED ALUMINUM
 - STAMPED END CAP LEFT & RIGHT
MATERIAL: ALUMINUM
FINISH: TEXTURED POWDER COAT, BLACK

FUNCTIONAL SYMBOLS $\nabla_A = 0$ $\nabla_C = 0$ $\nabla_P = 0$ DIVISIONAL SYMBOLS	THIS DRAWING CONTAINS INFORMATION THAT IS PROPRIETARY TO MOLEX ELECTRONIC TECHNOLOGIES, LLC AND SHOULD NOT BE USED WITHOUT WRITTEN PERMISSION		CURRENT REV DESC:		<p>DRIVER ASSEMBLY SINGLE/DUAL CHANNEL</p> <p>PRODUCT CUSTOMER DRAWING</p>			
	MM/INCH	NTS	GENERAL TOLERANCES (UNLESS SPECIFIED)					
	4 PLACES ±	±	MM	INCH				
	3 PLACES ±	±	0.25	0.01				
2 PLACES ±	±	0.5	0.02	0 PLACES ±	±	ANGULAR TOL ± °	EC NO: 700562	2022/03/22
DRAFT WHERE APPLICABLE MUST REMAIN WITHIN DIMENSIONS		THIRD ANGLE PROJECTION		DRAWING	SERIES	MATERIAL NUMBER	CUSTOMER	SHEET NUMBER
				D-SIZE	180996	SEE TABLE	GENERAL MARKET	4 OF 7

PART NO.	DRIVER ASM	INPUT CURRENT MAX.	OUTPUT CURRENT MAX.	OUTPUT POWER MAX.	STATUS
180996-5101	SINGLE CHANNEL	300mA	350mA	14W	ACTIVE
180996-5102	SINGLE CHANNEL	430mA	500mA	20W	ACTIVE
180996-5103	SINGLE CHANNEL	600mA	700mA	28W	ACTIVE
180996-5104	SINGLE CHANNEL	900mA	1050mA	42W	ACTIVE
180996-5106	SINGLE CHANNEL	750mA	880mA	35W	ACTIVE
180996-5107	SINGLE CHANNEL	260mA	300mA	13W	ACTIVE
180996-5108	SINGLE CHANNEL	1025mA	1200mA	51W	ACTIVE
180996-5109	SINGLE CHANNEL	1200mA	1400mA	59W	ACTIVE

SINGLE DRIVER ASSEMBLY UNIVERSAL MOUNT

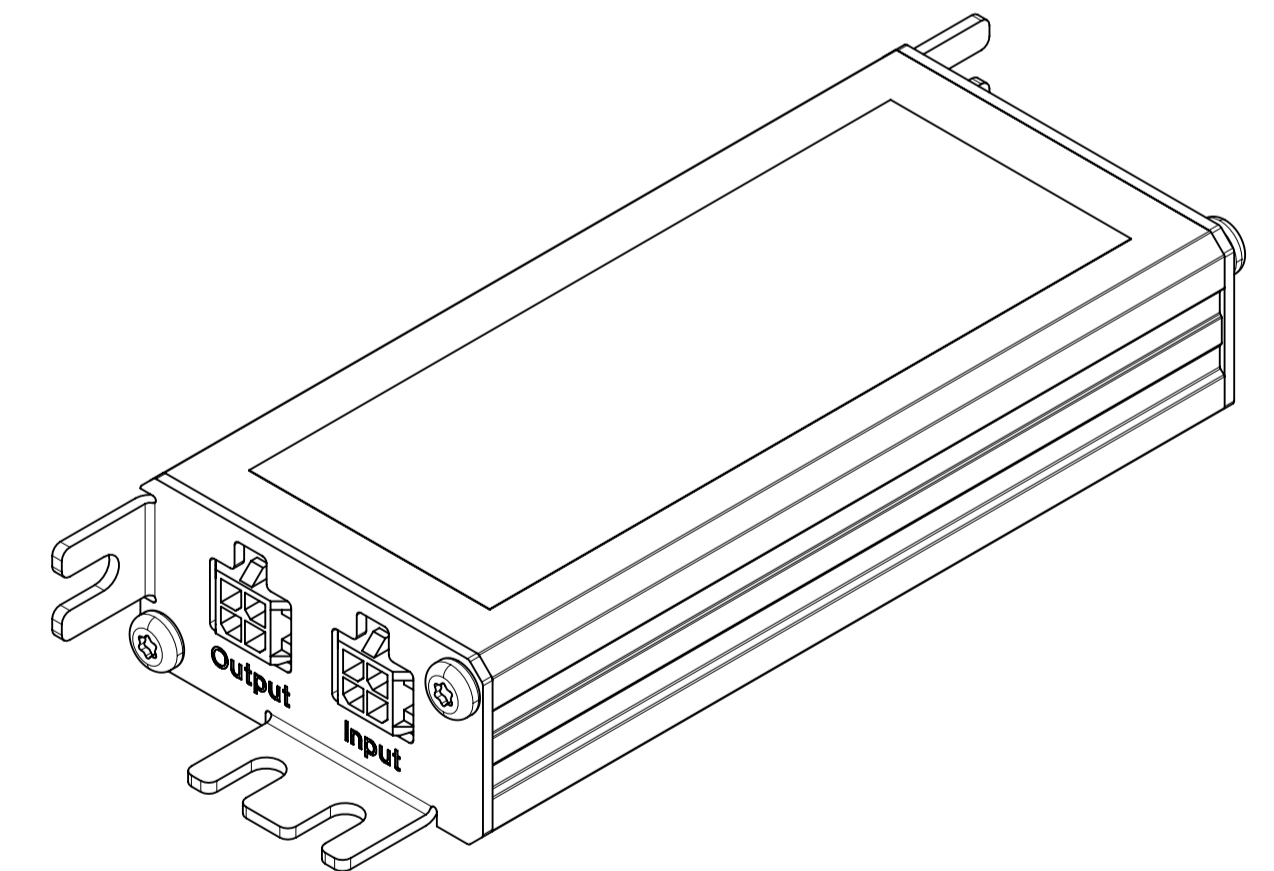
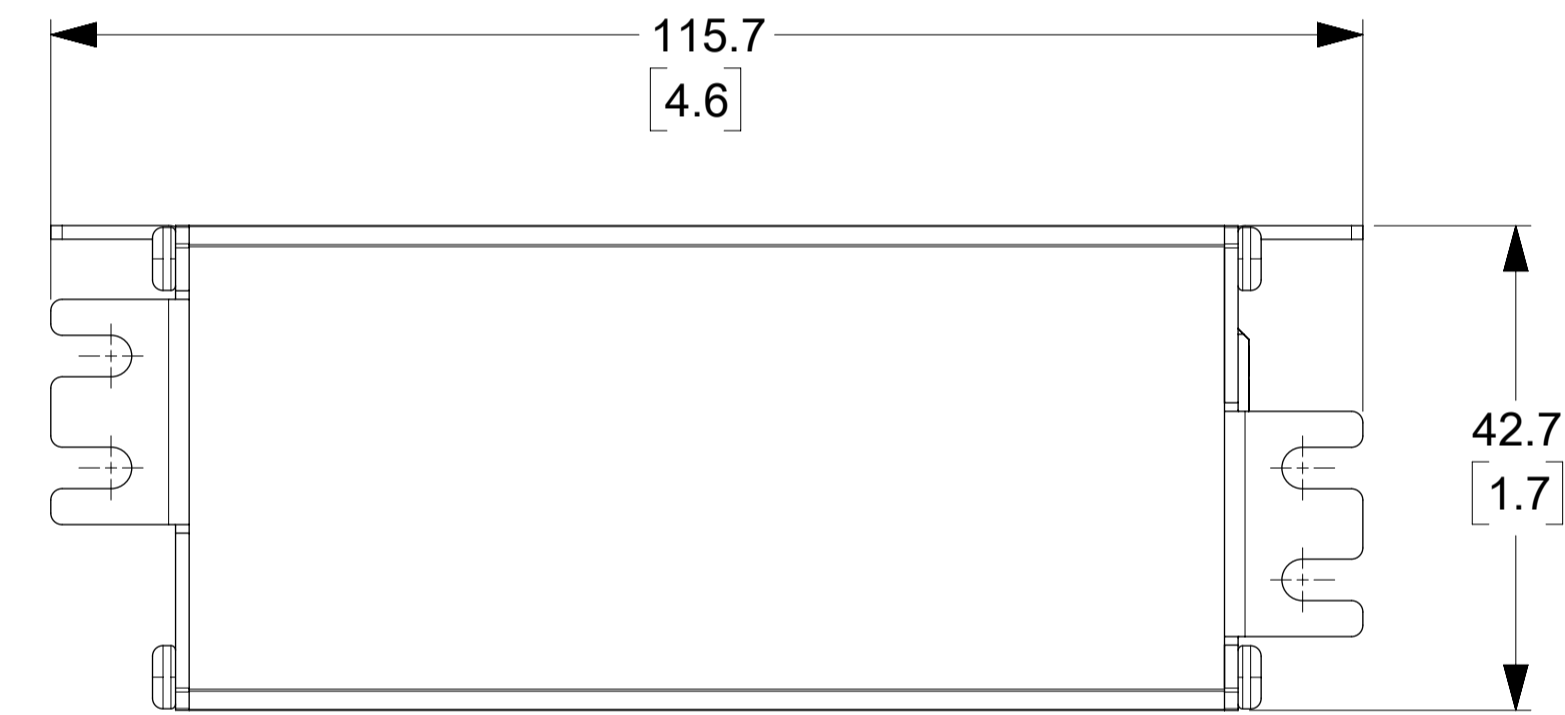
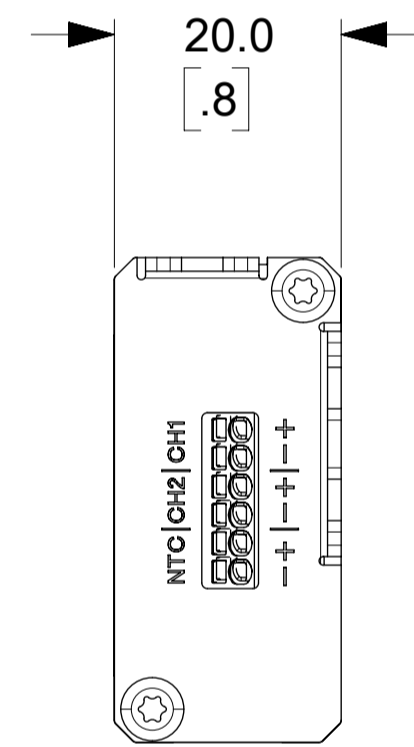
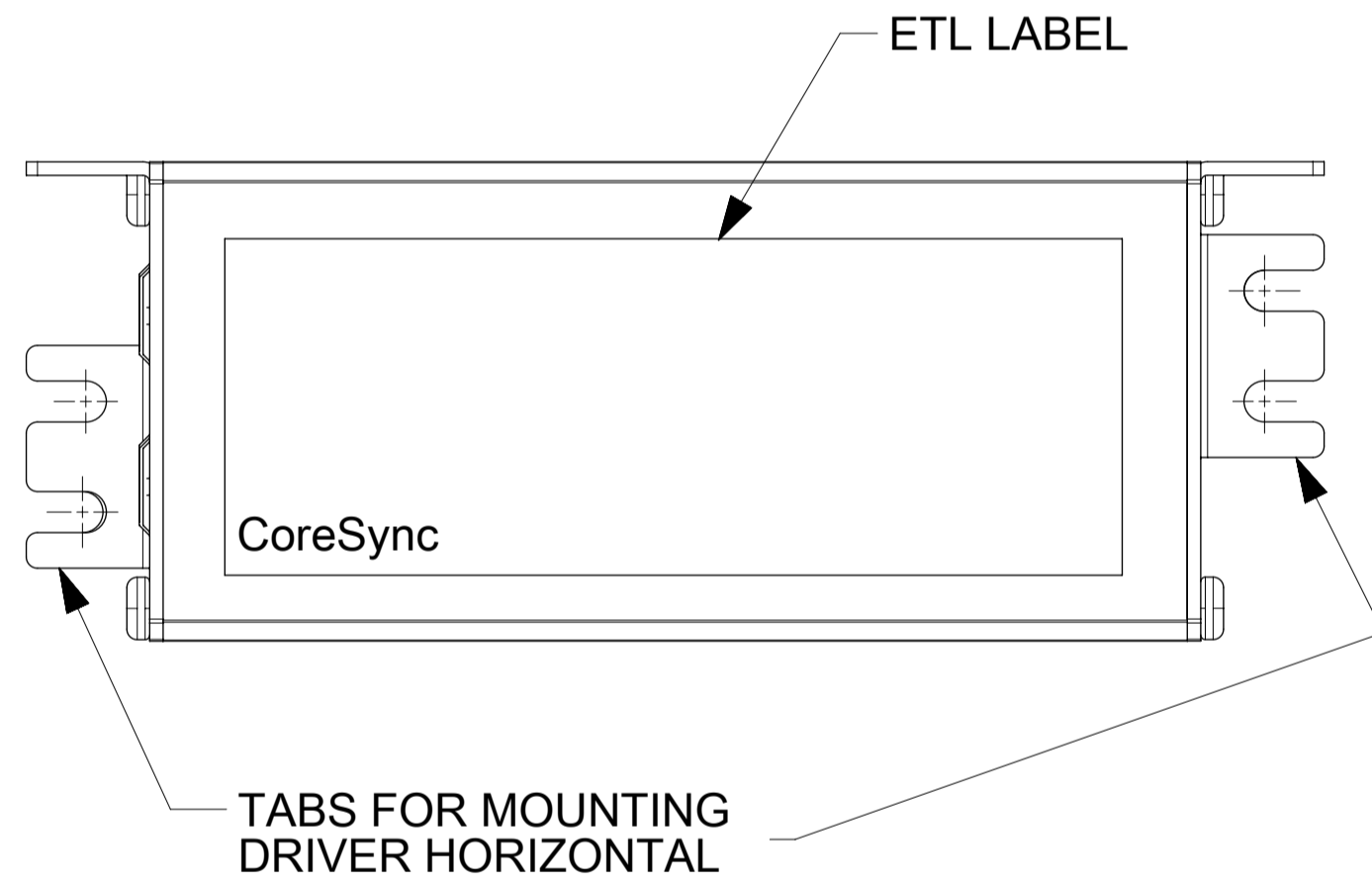
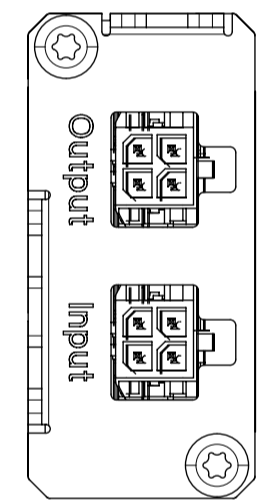
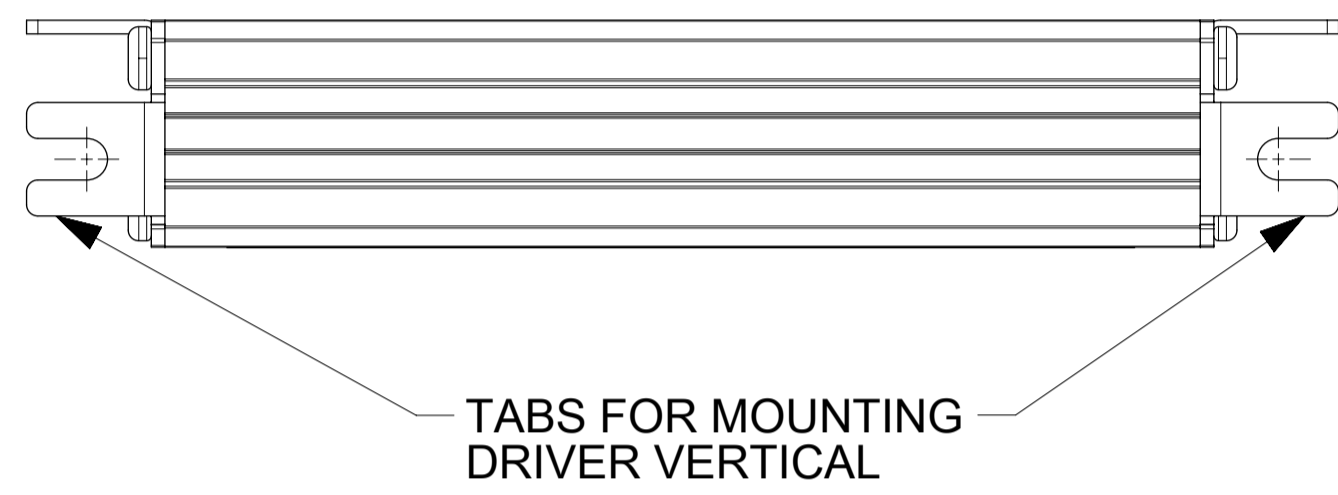
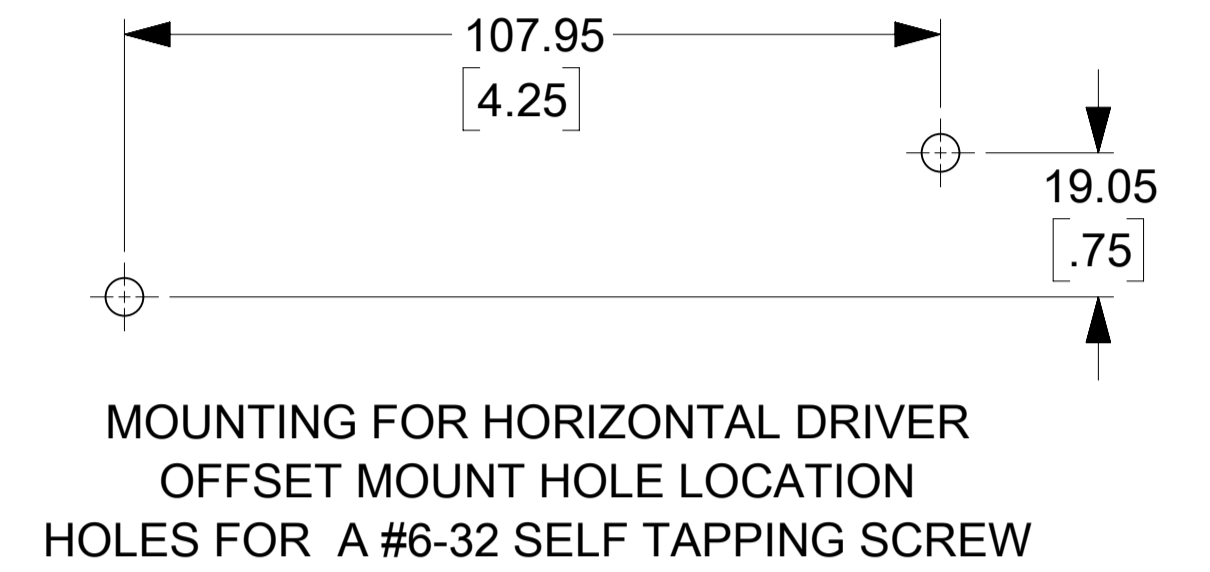
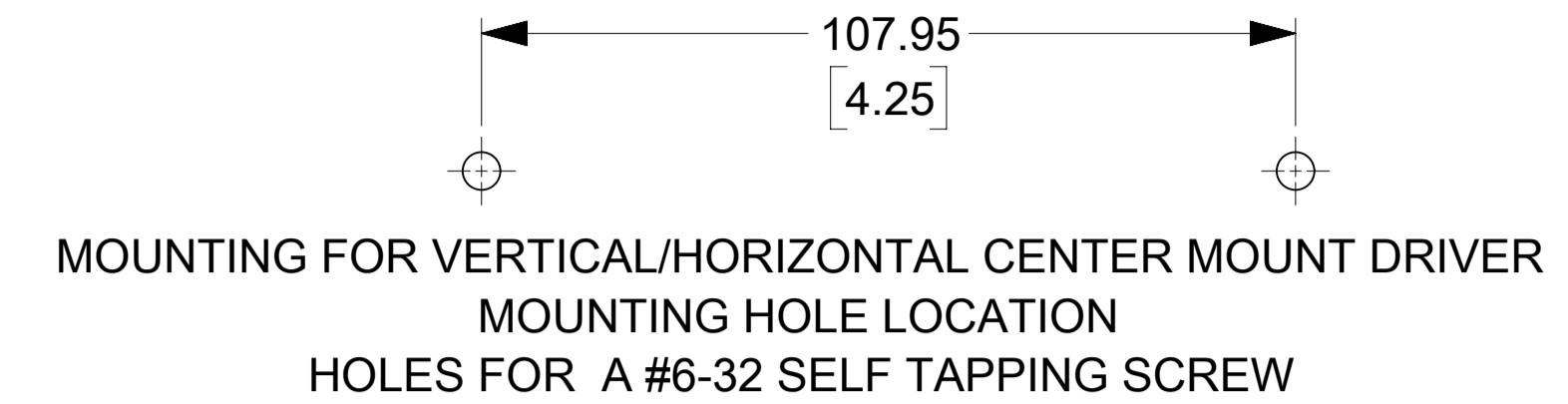


- NOTES:
- HOUSING EXTRUSION
MATERIAL: ANODIZED ALUMINUM
 - STAMPED END CAP LEFT & RIGHT
MATERIAL: ALUMINUM
FINISH: TEXTURED POWDER COAT, BLACK

FUNCTIONAL SYMBOLS FA=0 FC=0 FP=0	THIS DRAWING CONTAINS INFORMATION THAT IS PROPRIETARY TO MOLEX ELECTRONIC TECHNOLOGIES, LLC AND SHOULD NOT BE USED WITHOUT WRITTEN PERMISSION										
	DIMENSION UNITS MM/INCH		SCALE NTS		CURRENT REV DESC:						
	GENERAL TOLERANCES (UNLESS SPECIFIED)				EC NO: 700562						
	4 PLACES ±		±		DRWN: UKOWSHIKARAN 2022/03/22				DRIVER ASSEMBLY SINGLE/DUAL CHANNEL		
3 PLACES ±		±		CHK'D: RCG 2022/03/28				PRODUCT CUSTOMER DRAWING			
2 PLACES ± 0.25		± 0.01		APPR: RCG 2022/03/28				DOCUMENT NUMBER			
1 PLACE ± 0.5		± 0.02		INITIAL REVISION:				DOC TYPE DOC PART REVISION			
0 PLACES ±		±		DRWN: GALLEN02 2017/12/12				1809960000			
ANGULAR TOL ± °		°		APPR: JAGRO 2018/10/03				PSD 000 B			
DRAFT WHERE APPLICABLE MUST REMAIN WITHIN DIMENSIONS				THIRD ANGLE PROJECTION		DRAWING		MATERIAL NUMBER		CUSTOMER	
						A1-SIZE		SERIES		SHEET NUMBER	
						180996		SEE TABLE		GENERAL MARKET 5 OF 7	

PART NO.	DRIVER ASM	INPUT CURRENT MAX.	OUTPUT CURRENT MAX.	OUTPUT POWER MAX.	STATUS
180996-6101	DUAL CHANNEL	600mA	350mA	28W	ACTIVE
180996-6102	DUAL CHANNEL	850mA	500mA	40W	ACTIVE
180996-6103	DUAL CHANNEL	900mA	700mA	42W	ACTIVE
180996-6104	DUAL CHANNEL	900mA	1050mA	42W	ACTIVE
180996-6106	DUAL CHANNEL	900mA	880mA	42W	ACTIVE
180996-6107	DUAL CHANNEL	520mA	300mA	26W	ACTIVE
180996-6108	DUAL CHANNEL	1025mA	1200mA	51W	ACTIVE
180996-6109	DUAL CHANNEL	1200mA	1400mA	59W	ACTIVE

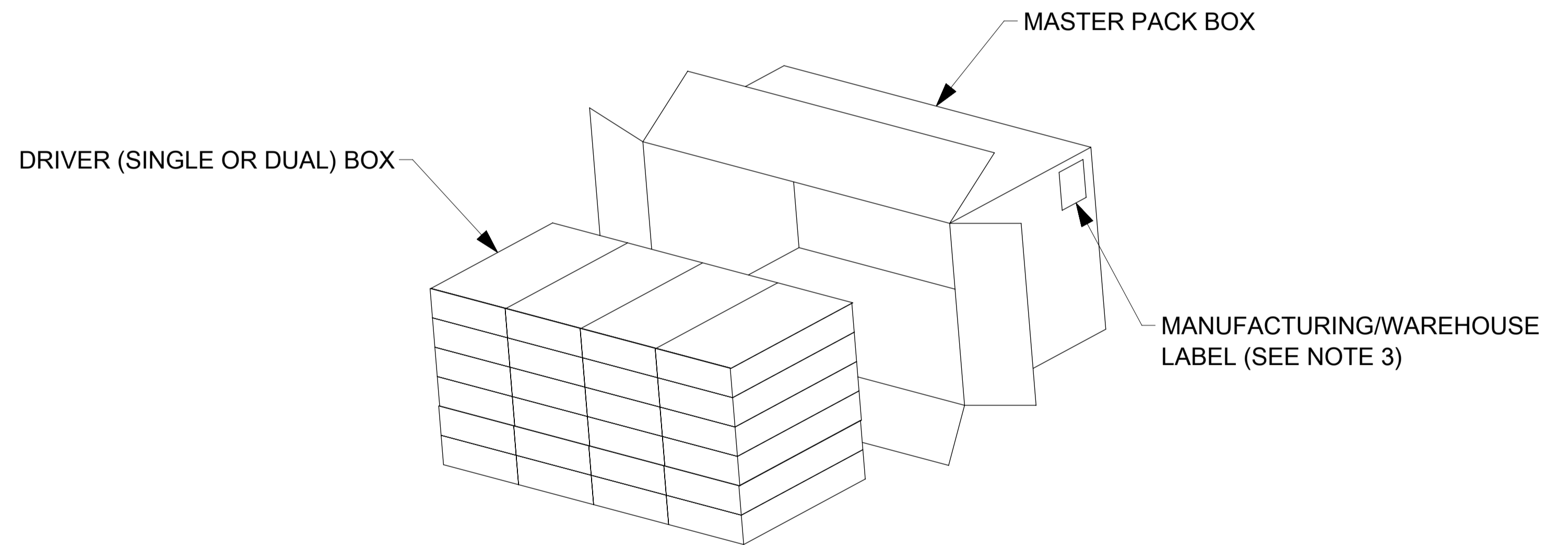
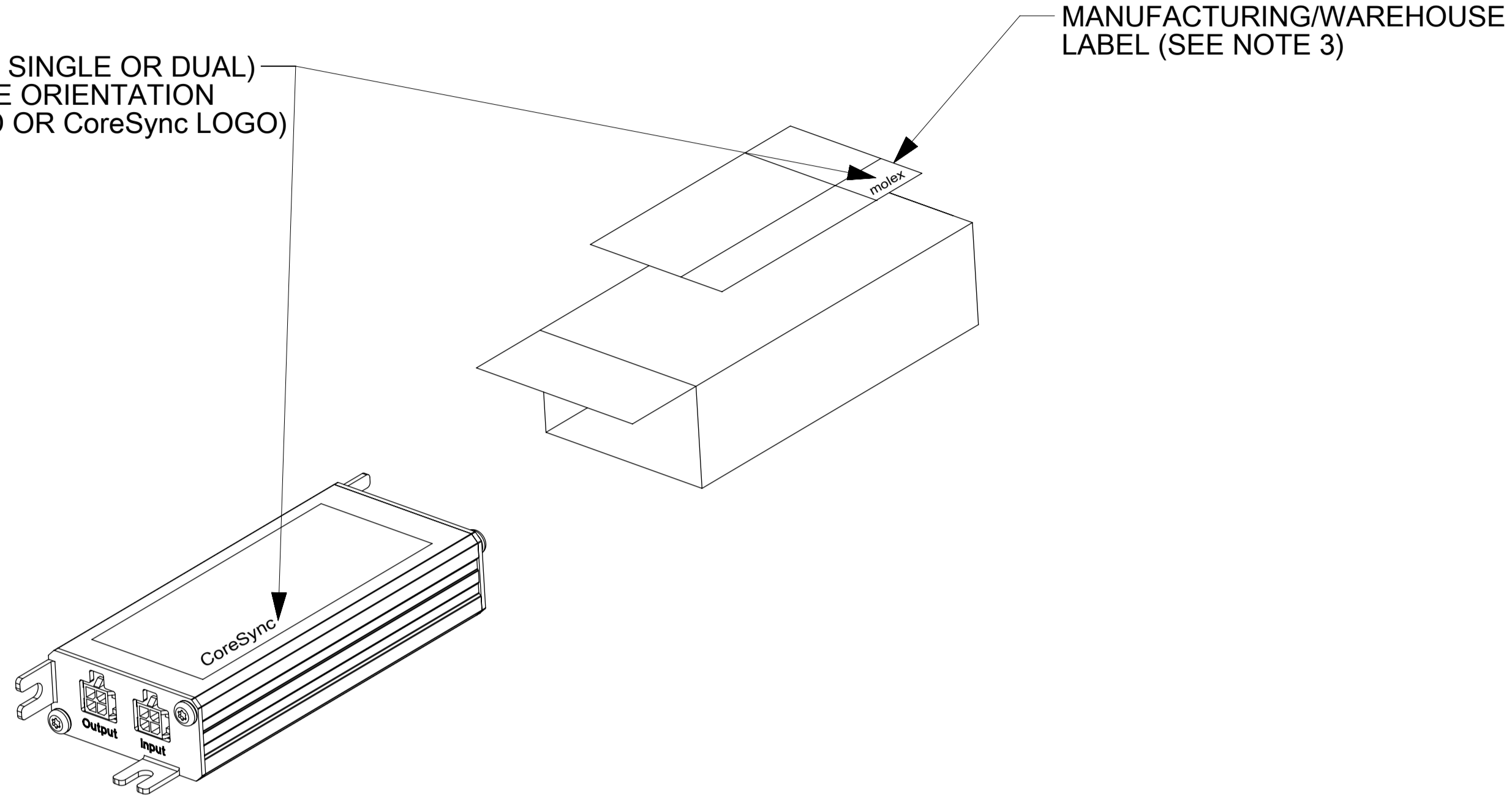
DUAL DRIVER ASSEMBLY UNIVERSAL MOUNT



- NOTES:
- HOUSING EXTRUSION
MATERIAL: ANODIZED ALUMINUM
 - STAMPED END CAP LEFT & RIGHT
MATERIAL: ALUMINUM
FINISH: TEXTURED POWDER COAT, BLACK

FUNCTIONAL SYMBOLS FA=0 FC=0 FP=0	THIS DRAWING CONTAINS INFORMATION THAT IS PROPRIETARY TO MOLEX ELECTRONIC TECHNOLOGIES, LLC AND SHOULD NOT BE USED WITHOUT WRITTEN PERMISSION										
	DIMENSION UNITS MM/INCH		SCALE NTS		CURRENT REV DESC:						
	GENERAL TOLERANCES (UNLESS SPECIFIED)				EC NO: 700562						
	4 PLACES ±		±		DRWN: UKOWSHIKARAN 2022/03/28				DRIVER ASSEMBLY SINGLE/DUAL CHANNEL		
3 PLACES ±		±		CHK'D: RCG 2022/03/28							
2 PLACES ± 0.25		± 0.01		APPR: RCG 2022/03/28				PRODUCT CUSTOMER DRAWING			
1 PLACE ± 0.5		± 0.02		INITIAL REVISION:							
0 PLACES ±		±		DRWN: GALLEN02 2017/12/12				1809960000			
ANGULAR TOL ± °		°		APPR: JAGRO 2018/10/03							
DRAFT WHERE APPLICABLE MUST REMAIN WITHIN DIMENSIONS				THIRD ANGLE PROJECTION		DRAWING A1-SIZE		SERIES 180996		DOCUMENT NUMBER 1809960000	
						MATERIAL NUMBER SEE TABLE		CUSTOMER GENERAL MARKET		DOC TYPE DOC PART REVISION PSD 000 B	
						SHEET NUMBER 6 OF 7					

INSERT DRIVER SINGLE OR DUAL INTO BOX (NOTE ORIENTATION OF TRANSCEND OR CoreSync LOGO)



NOTES:

1. PLACE DRIVER ASSEMBLY INTO BOX AS SHOWN.
2. PLACE 24 DRIVER BOXES INTO MASTERPACK.
3. INSTRUCTION SHEET CAN BE FOUND AT DIRECTORY BELOW:

http://www.literature.molex.com/SQLImages/kelmscott/Molex/PDF_Images/987651-6631.pdf

FUNCTIONAL SYMBOLS	THIS DRAWING CONTAINS INFORMATION THAT IS PROPRIETARY TO MOLEX ELECTRONIC TECHNOLOGIES, LLC AND SHOULD NOT BE USED WITHOUT WRITTEN PERMISSION											
	DIMENSION UNITS	SCALE		CURRENT REV DESC:								
$\frac{E}{A} = 0$	MM/INCH	NTS		EC NO: 700562 DRWN: UKOWSHIKARAN 2022/03/22 CHK'D: RCG 2022/03/28 APPR: RCG 2022/03/28								
DIVISIONAL SYMBOLS	GENERAL TOLERANCES (UNLESS SPECIFIED)							INITIAL REVISION:				DOCUMENT NUMBER
$\frac{E}{C} = 0$		MM	INCH	DRWN: GALLEN02 2017/12/12				1809960000		PSD	000	B
$\frac{E}{P} = 0$	4 PLACES	±	±	APPR: JAGRO 2018/10/03				SEE TABLE		GENERAL MARKET		
	3 PLACES	±	±	DRAFT WHERE APPLICABLE MUST REMAIN WITHIN DIMENSIONS				A1-SIZE		7 OF 7		
	2 PLACES	±	± 0.01	THIRD ANGLE PROJECTION				SERIES		SHEET NUMBER		
	1 PLACE	±	± 0.02	DRAWING				180996		7 OF 7		
	0 PLACES	±	±	DRAWING				SEE TABLE		7 OF 7		
	ANGULAR TOL		± °	DRAWING				SERIES		SHEET NUMBER		