

Am27S25/27S25A/27S25SA

4096-Bit (512x8) Bipolar Registered PROM
with Preset and Clear Inputs

DISTINCTIVE CHARACTERISTICS

- 'SA' version offers ultrafast AC performance (25 ns set-up and 12 ns clock-to-output)
- On-chip edge-triggered registers — ideal for pipelined microprogrammed systems
- Versatile synchronous and asynchronous enables for simplified word expansion
- Buffered common Preset (\overline{PS}) and Clear (\overline{CR}) inputs
- Slim, 24-pin, 300-mil lateral center package occupies approximately 1/3 the board space required by standard discrete PROM and register
- Consumes approximately 1/2 the power of separate PROM/register combination for improved system reliability
- Platinum-Silicide fuses guarantee high reliability, fast programming, and exceptionally high programming yields (typ > 98%)

GENERAL DESCRIPTION

The Am27S25 (512 words by 8 bits) is a fully decoded, Schottky array, TTL Programmable Read-Only Memory (PROM), incorporating D-type master-slave data registers on chip. This device has three-state outputs compatible with low-power Schottky bus standards capable of satisfying the requirements of a variety of microprogrammable controls and state machines.

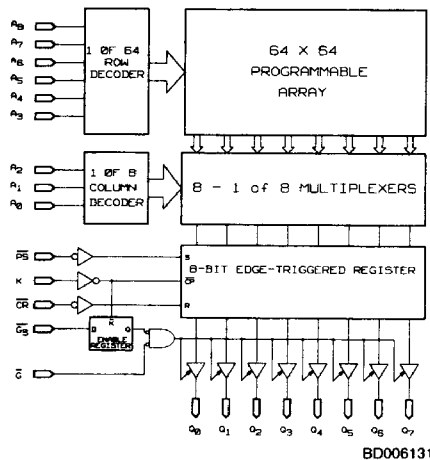
This device contains an 8-bit parallel data register in the array-to-output path which allows PROM data to be stored while other data is being addressed. This meets the

requirements for pipelined microprogrammable control stores where instruction execute and instruction fetch are performed in parallel.

To offer the system designer maximum flexibility, this device contains both asynchronous and synchronous output enables as well as common asynchronous preset and clear register controls.

Upon power-up the outputs ($Q_0 - Q_7$) will be in a floating or high-impedance state.

BLOCK DIAGRAM

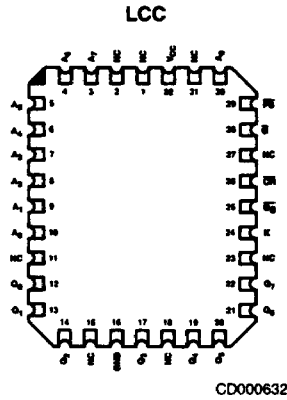
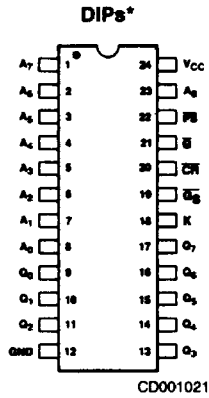


5

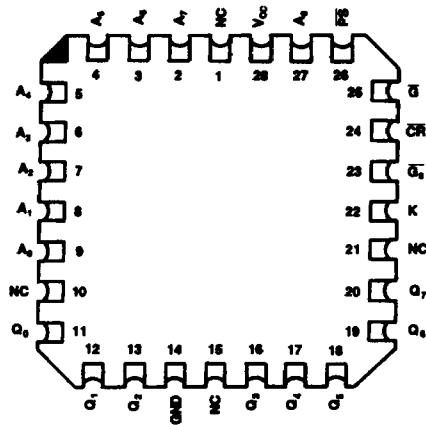
PRODUCT SELECTOR GUIDE

| Part Number | Am27S25SA | | Am27S25A | | Am27S25 | |
|----------------------------|-----------|----|----------|----|---------|----|
| Address Set-up Time (ns) | 25 | 30 | 30 | 35 | 50 | 55 |
| Clock-to-Output Delay (ns) | 12 | 15 | 20 | 25 | 27 | 30 |
| Operating Range | C | M | C | M | C | M |

CONNECTION DIAGRAMS
Top View

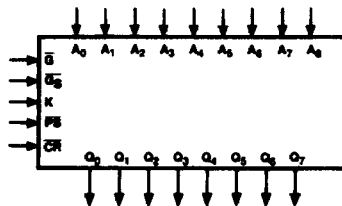


LCC**



Note: Pin 1 is marked for orientation.
 *Also available in a 24-pin Flatpack. Pinout identical to DIPs.
 **Also available in a 28-pin square PLCC. Pinout identical to LCC.

LOGIC SYMBOL



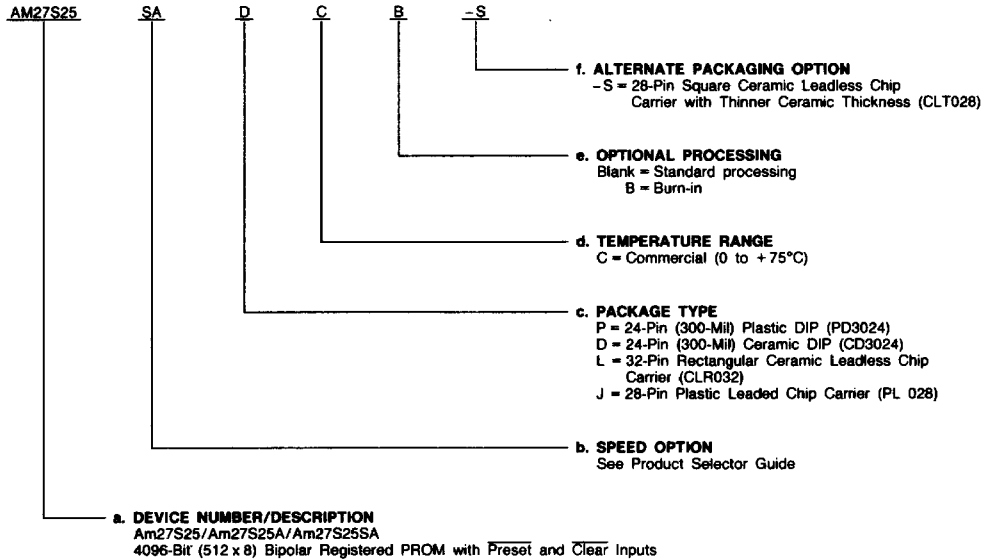
LS000113

ORDERING INFORMATION

Standard Products

AMD standard products are available in several packages and operating ranges. The order number (Valid Combination) is formed by a combination of:

- a. Device Number
- b. Speed Option (if applicable)
- c. Package Type
- d. Temperature Range
- e. Optional Processing
- f. Alternate Packaging Option



| Valid Combinations | |
|--------------------|------------------------|
| AM27S25 | DC, DCB, PC, |
| AM27S25A | PCB, LC, LCB, |
| Am27S25SA | LC-S, LCB-S JC, JCB |

Valid Combinations

Valid Combinations list configurations planned to be supported in volume for this device. Consult the local AMD sales office to confirm availability of specific valid combinations, to check on newly released combinations, and to obtain additional data on AMD's standard military grade products.

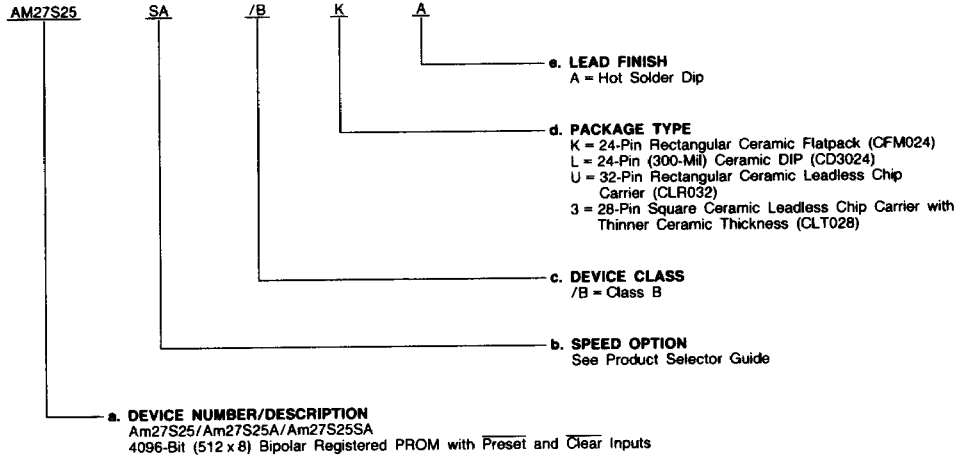
5

MILITARY ORDERING INFORMATION

APL Products

AMD products for Aerospace and Defense applications are available in several packages and operating ranges. APL (Approved Products List) products are fully compliant with MIL-STD-883C requirements. The order number (Valid Combination) for APL products is formed by a combination of:

- a. **Device Number**
- b. **Speed Option** (if applicable)
- c. **Device Class**
- d. **Package Type**
- e. **Lead Finish**



Valid Combinations

| Valid Combinations | |
|--------------------|---------------------------|
| Am27S25 | /BKA, /BLA, /BUA, /B3A |
| Am27S25A | |
| Am27S25SA | |

Valid Combinations list configurations planned to be supported in volume for this device. Consult the local AMD sales office to confirm availability of specific valid combinations or to check for newly released valid combinations.

Group A Tests

Group A tests consist of Subgroups
1, 2, 3, 7, 8, 9, 10, 11.

MILITARY BURN-IN

Military burn-in is in accordance with the current revisions of MIL-STD-883, Test Method 1015, Conditions A through E. Test conditions are selected at AMD's option.

PIN DESCRIPTION

A₀ - A₈ Address (Inputs)

The 9-bit field presented at the address inputs selects one of 512 memory locations to be read from.

K Clock

CP is used to load data into the parallel registers from the memory array. Data transfer occurs on the LOW-to-HIGH transition of CP.

Q₀ - Q₇ Data Port (Outputs, Three-State)

Parallel data output from the pipeline register. The disabled state of these outputs is floating or high-impedance.

\overline{G} Asynchronous Output Enable

Provides direct control of the Q_n output three-state drivers, independent of CP.

\overline{G}_S Synchronous Output Enable

Controls the state of the Q_n output three-state drivers, in conjunction with CP. This is useful where more than one

registered PROM is bussed together for word depth expansion. In this case, the enable becomes the most significant address bit and, as such, must be synchronized with the data.

\overline{PS} Asynchronous Preset

Control pin used to force the state of the output data registers HIGH, independent of CP. This can be used to generate a condition for system interrupt or initialization.

\overline{CR} Asynchronous Clear

Control pin used to force the state of the output data registers LOW, independent of CP. This can be used to generate a condition for system interrupt or initialization.

V_{CC} Power Supply Pin

The most positive of the logic power supply pins.

GND Power Supply Pin

The most negative of the logic power supply pins.

FUNCTIONAL DESCRIPTION

When V_{CC} power is first applied, the synchronous enable (\overline{G}_S) flip-flop will be in the set condition causing the outputs (Q₀ - Q₇) to be in the OFF or high-impedance state. This occurs regardless of the state of the asynchronous enable input. A LOW-to-HIGH transition of the clock input (K) while \overline{G}_S input is LOW is required after power-up in order to enable the outputs to an active state. Reading data is accomplished by first applying the binary word address to the address inputs (A₀ - A₈) and a logic LOW to the synchronous enable (\overline{G}_S). During the address setup time, stored data is accessed and loaded into the master flip-flops of the data register. Since the synchronous enable setup time is less than the address setup requirement, additional decoding delays may occur in the enable path without reducing memory performance. Upon the next LOW-to-HIGH transition of the clock (K), data is transferred to the slave flip-flops which drive the output buffers. Provided that the asynchronous enable (\overline{G}) is also LOW, stored data will appear on the outputs (Q₀ - Q₇). If \overline{G}_S is HIGH when the positive clock edge occurs, outputs go to the OFF or high-impedance state regardless of the state of \overline{G} . The outputs may be disabled at any time by switching \overline{G} to a HIGH

level. Following the positive clock edge the address and synchronous enable inputs are free to change; changes will not affect the outputs until another positive clock edge occurs. This unique feature allows the PROM decoders and sense amplifiers to access the next location while previously addressed data remains stable on the outputs. For less complex applications either enable may be effectively eliminated by tying it to ground.

The on-chip edge-triggered register simplifies system timing since the PROM clock may be derived directly from system clock without introducing dangerous race conditions. Other register timing requirements are similar to those of standard Schottky registers and are easily implemented.

The Am27S25 has buffered Asynchronous Preset (\overline{PS}) and Clear (\overline{CR}) inputs. These functions are common to all registers and are useful during power-up timeout sequences. With outputs enabled, the \overline{PS} input asserted LOW will cause all outputs to be set to a logic 1 (HIGH) state. When the \overline{CR} input is LOW, the internal flip-flops of the data register are reset and a logic 0 (LOW) will appear on all outputs. These functions will control the state of the data register, independent of all other inputs but exclusive of each other.

ABSOLUTE MAXIMUM RATINGS

| | |
|--|---------------------------------|
| Storage Temperature | -65 to +150°C |
| Ambient Temperature with Power Applied | -55 to +125°C |
| Supply Voltage | -0.5 to +7.0 V |
| DC Voltage Applied to Outputs (Except During Programming) | -0.5 V to +V _{CC} Max. |
| DC Voltage Applied to Outputs During Programming | 21 V |
| Output Current into Outputs During Programming (Max. Duration of 1 sec) | 250 mA |
| DC Input Voltage | -0.5 to +5.5 V |
| DC Input Current | -30 to +5 mA |

Stresses above those listed under ABSOLUTE MAXIMUM RATINGS may cause permanent device failure. Functionality at or above these limits is not implied. Exposure to absolute maximum ratings for extended periods may affect device reliability.

OPERATING RANGES

| | |
|---|------------------|
| Commercial (C) Devices | |
| Ambient Temperature (T _A) | 0 to +75°C |
| Supply Voltage (V _{CC}) | +4.75 to +5.25 V |
| Military (M) Devices* | |
| Case Temperature (T _C) | -55°C to +125°C |
| Supply Voltage (V _{CC}) | +4.5 to +5.5 V |

Operating ranges define those limits between which the functionality of the device is guaranteed.

*Military products 100% tested at T_C = +25°C, +125°C, and -55°C.

DC CHARACTERISTICS over operating ranges unless otherwise specified (for APL Products, Group A, Subgroups 1, 2, 3 are tested unless otherwise noted)

| Parameter Symbol | Parameter Description | Test Conditions | Min. | Typ. | Max. | Unit |
|------------------|------------------------------|---|------|------|--------|------|
| V _{OH} | Output HIGH Voltage | V _{CC} = Min., I _{OH} = -2.0 mA V _{IN} = V _{IH} or V _{IL} | 2.4 | | | V |
| V _{OL} | Output LOW Voltage | V _{CC} = Min., I _{OL} = 16 mA V _{IN} = V _{IH} or V _{IL} | | | 0.50 | V |
| V _{IH} | Input HIGH Level | Guaranteed input logical HIGH voltage for all inputs (Note 1) | 2.0 | | | V |
| V _{IL} | Input LOW Level | Guaranteed input logical LOW voltage for all inputs (Note 1) | | | 0.8 | V |
| I _{IL} | Input LOW Current | V _{CC} = Max., V _{IN} = 0.45 V | | | -0.250 | mA |
| I _{IH} | Input HIGH Current | V _{CC} = Max., V _{IN} = V _{CC} | | | 40 | μA |
| I _{SC} | Output Short Circuit Current | V _{CC} = Max., V _{OUT} = 0.0 V (Note 2) | -20 | | -90 | mA |
| I _{CC} | Power Supply Current | All inputs = GND, V _{CC} = Max. | | | 185 | mA |
| V _I | Input Clamp Voltage | V _{CC} = Min., I _{IN} = -18 mA | | | -1.2 | V |
| I _{CEX} | Output Leakage Current | V _{CC} = Max. V _E = 2.4 V | | | 40 | μA |
| | | V _O = V _{CC} V _O = 0.4 V | | | -40 | |
| C _{IN} | Input Capacitance | V _{CC} = 5.00 V, T _A = 25°C | | 4 | | pF |
| C _{OUT} | Output Capacitance | V _{IN} /V _{OUT} = 2.0 V. @ f = 1 MHz (Note 4) | | 8 | | |

- Notes: 1. V_{IL} and V_{IH} are input conditions of output tests and are not themselves directly tested. V_{IL} and V_{IH} are absolute voltages with respect to device ground and include all overshoots due to system and/or tester noise. Do not attempt to test these values without suitable equipment.
 2. Only one output should be shorted at a time. Duration of the short circuit should not be more than one second.
 3. These parameters are not 100% tested, but are periodically sampled at initial characterization and at any time the design is modified where capacitance may be affected.
 4. These parameters are not 100% tested, but are evaluated at initial characterization and at any time the design is modified where capacitance may be affected.

SWITCHING CHARACTERISTICS over operating ranges unless otherwise specified (for APL Products, Group A, Subgroups 9, 10, 11 are tested unless otherwise noted*) (Note 1)

| No. | JEDEC Parameter Symbol | Parameter Description | Am27S25SA | | Am27S25A | | Am27S25 | | Unit | |
|-----|------------------------|--|-----------|------|----------|------|---------|------|------|----|
| | | | Min. | Max. | Min. | Max. | Min. | Max. | | |
| 1 | TAVKH | Address to K HIGH Setup Time | COM'L | 25 | | 30 | | 50 | ns | |
| | | | MIL | 30 | | 35 | | 55 | | |
| 2 | TKHAX | Address to K HIGH Hold Time | COM'L | 0 | | 0 | | 0 | ns | |
| | | | MIL | 0 | | 0 | | 0 | | |
| 3 | TKHQV1 | Delay from K HIGH to Output Valid, for initially active outputs (HIGH or LOW) (Note 3) | COM'L | 4 | 12 | | 20 | | 27 | ns |
| | | | MIL | 4 | 15 | | 25 | | 30 | |
| 4 | TKHKL TKLKH | K Pulse Width (HIGH or LOW) | COM'L | 15 | | 20 | | 20 | ns | |
| | | | MIL | 20 | | 20 | | 20 | | |
| 5 | TGLQV | Asynchronous Output Enable LOW to Output Valid (HIGH or LOW) | COM'L | | 20 | | 25 | | 35 | ns |
| | | | MIL | | 25 | | 30 | | 45 | |
| 6 | TGHQZ | Asynchronous Output Enable HIGH to Output Hi-Z (See Note 2) | COM'L | | 20 | | 25 | | 35 | ns |
| | | | MIL | | 25 | | 30 | | 45 | |
| 7 | TGSVKH | \overline{G}_S to K HIGH Setup Time | COM'L | 10 | | 10 | | 15 | ns | |
| | | | MIL | 10 | | 10 | | 15 | | |
| 8 | TKHGSX | \overline{G}_S to K HIGH Hold Time | COM'L | 0 | | 5 | | 5 | ns | |
| | | | MIL | 0 | | 5 | | 5 | | |
| 9 | TKHQV2 | Delay from K HIGH to Output Valid, for initially Hi-Z outputs | COM'L | | 20 | | 25 | | 35 | ns |
| | | | MIL | | 25 | | 30 | | 45 | |
| 10 | TKHQZ | Delay from K HIGH to Output Hi-Z (See Note 2) | COM'L | | 20 | | 25 | | 35 | ns |
| | | | MIL | | 25 | | 30 | | 45 | |
| 11 | TPSLQV TCRLQV | Delay from \overline{PS} or \overline{CR} LOW to Output Valid (HIGH or LOW) | COM'L | | 20 | | 20 | | 25 | ns |
| | | | MIL | | 25 | | 25 | | 30 | |
| 12 | TPSHKH TCRHKH | Asynchronous \overline{PS} or \overline{CR} Recovery Time | COM'L | 15 | | 20 | | 20 | ns | |
| | | | MIL | 20 | | 25 | | 25 | | |
| 13 | TPSPSH TCRLCRH | Asynchronous \overline{PS} or \overline{CR} Pulse Width (LOW) | COM'L | 15 | | 20 | | 20 | ns | |
| | | | MIL | 20 | | 25 | | 25 | | |

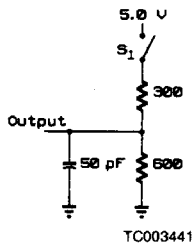
See also Switching Test Circuits.

- Notes: 1. Tests are performed with input transition time of 5 ns or less, timing reference levels of 1.5 V, and input pulse levels of 0 to 3.0 V using test load in A. under Switching Test Circuits.
 2. TGHQZ and TKHQZ are measured at steady state HIGH output voltage -0.5 V and steady state LOW output voltage +0.5 V output levels using the test load in B. under Switching Test Circuits.
 3. Minimum delay is guaranteed by design and supported by characterization data.

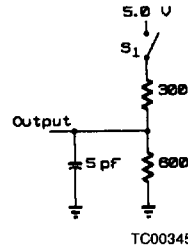
*Subgroups 7 and 8 apply to functional tests.

5

SWITCHING TEST CIRCUITS



A. Output Load for all tests except TGVQZ and TKHQZ








B. Output Load for TGVQZ and TKHQZ

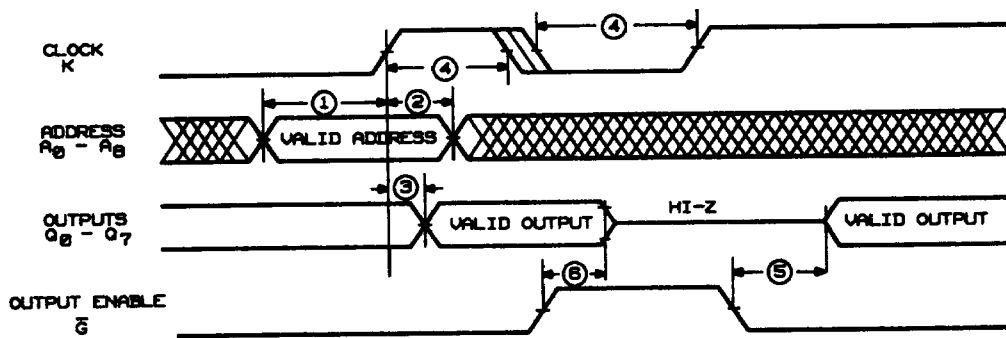
- Notes: 1. All device test loads should be located within 2" of device output pin.
 2. S_1 is open for Output Data HIGH to Hi-Z and Hi-Z to Output Data HIGH tests. S_1 is closed for all other AC tests.
 3. Load capacitance includes all stray and fixture capacitance.

SWITCHING WAVEFORMS

KEY TO SWITCHING WAVEFORMS

| WAVEFORM | INPUTS | OUTPUTS |
|---|----------------------------------|---|
|  | MUST BE STEADY | WILL BE STEADY |
|  | MAY CHANGE FROM H TO L | WILL BE CHANGING FROM H TO L |
|  | MAY CHANGE FROM L TO H | WILL BE CHANGING FROM L TO H |
|  | DON'T CARE; ANY CHANGE PERMITTED | CHANGING; STATE UNKNOWN |
|  | DOES NOT APPLY | CENTER LINE IS HIGH IMPEDANCE "OFF" STATE |

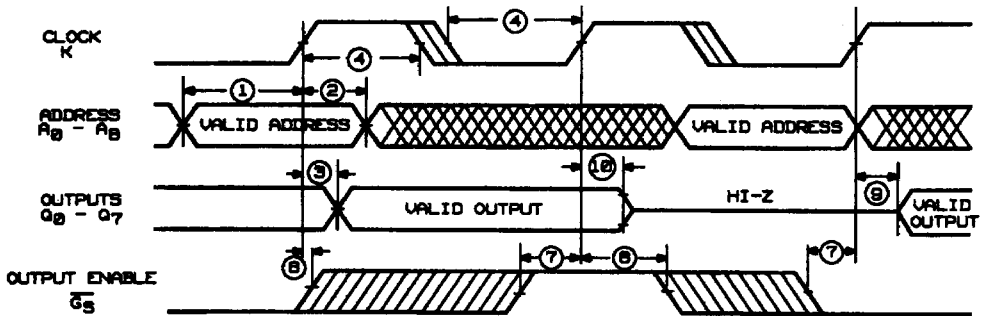
KS000010



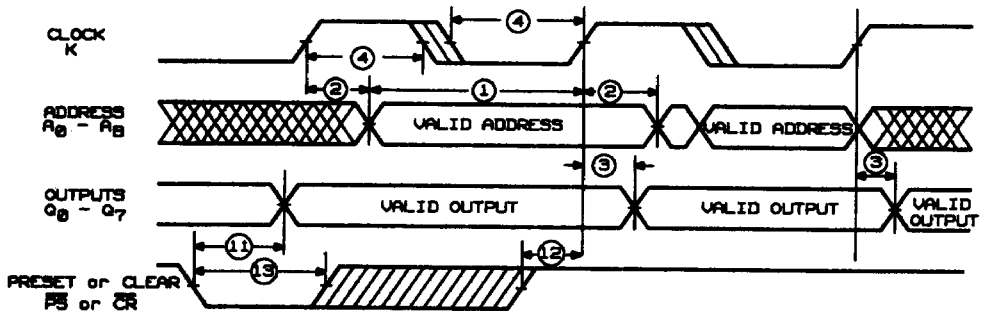
WF021130

Diagram A. Using Asynchronous Enable

SWITCHING WAVEFORMS (Cont'd.)



WF021140



WF021150