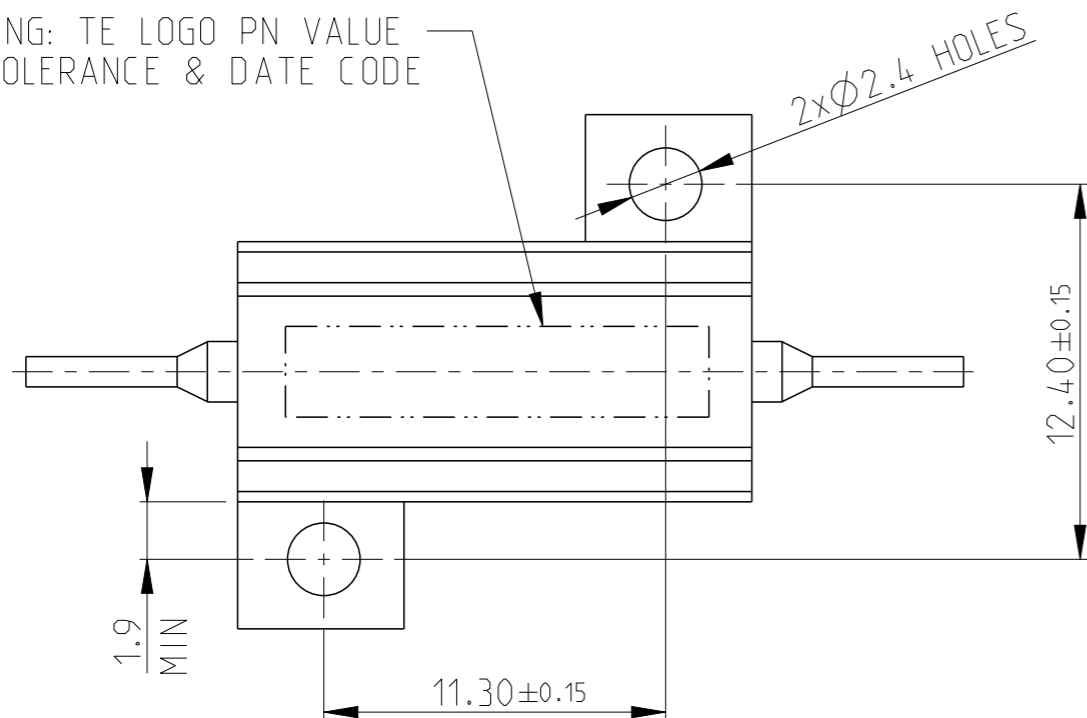


REVISIONS

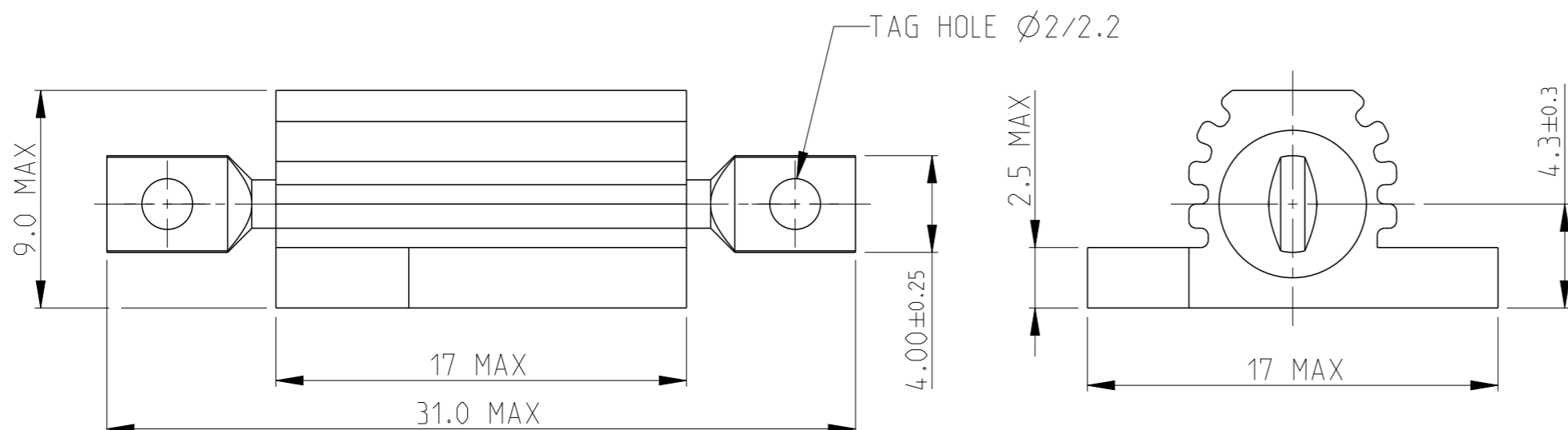
P	LTR	DESCRIPTION	DATE	DWN	APVD
	B2	Released as per ECR-09-006012	16-MAR-09	SP	JC
	B3	ECR-13-007945	14MAY2013	KR	TN
	V	ECR-16-003725	14MAR2016	KR	TN

LASER MARKING: TE LOGO PN VALUE TOLERANCE & DATE CODE

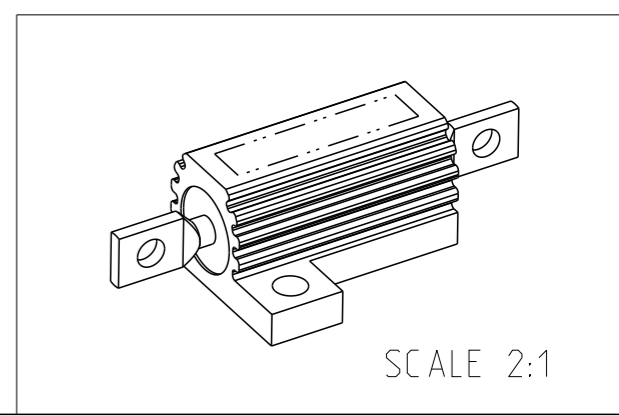




- FOR FURTHER INFORMATION SEE DATA SHEET FOR HS SERIES-ALUMINIUM HOUSED RESISTORS
- FOR A SPECIFIC PN FOR A RESISTANCE VALUE AND TOLERANCE, PLEASE REFER TO DMF
- TECHNICAL SPECIFICATION

DISSIPATION AT 25°C : 10 WATTS MOUNTED ON STD HEATSINK  
 BS OHMIC RANGE : R051 TO 7KS  
 STABILITY : ΔR < =1% PER 1000Hrs  
 ISOLATION VOLTAGE : 1400V DC/AC pk  
 MAX WORKING VOLTAGE : 150V DC/AC rms  
 TEMP COEFFICIENT : > 1R0 50ppm  
 > 100R 25ppm  
 CLIMATIC CATEGORY : 55/200/56



RoHS Compliant



THIS DRAWING IS A CONTROLLED DOCUMENT.		DWN D KENNEDY 07.NOV.05	 TE Connectivity		
DIMENSIONS: mm		CHK J CATCHPOLE 07.NOV.05			
		APVD J CATCHPOLE 07.NOV.05	NAME HSA 5 METAL CLAD RESISTOR		
TOLERANCES UNLESS OTHERWISE SPECIFIED:		PRODUCT SPEC	-		
0 PLC ±0.5		APPLICATION SPEC	-		
1 PLC ±0.2		WEIGHT	-		
2 PLC ±0.1		CUSTOMER DRAWING	SIZE A3	CAGE CODE 00779	DRAWING NO C=1625963
3 PLC ±		SCALE	4:1		SHEET 1 OF 1
4 PLC ±		RESTRICTED TO	-		
ANGLES ±5°		REV	V		
MATERIAL material_2		FINISH finish_spec_2			