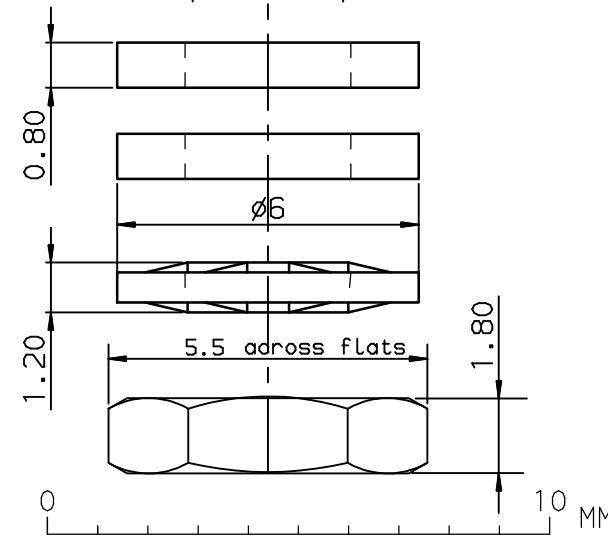
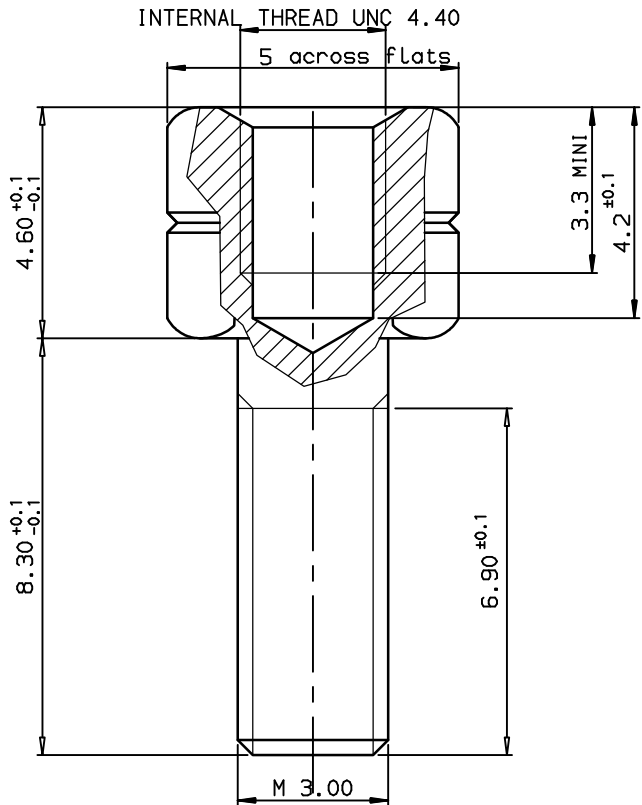




Copyright FCI.



TECHNICAL CHARACTERISTICS :

- Female screw locks: brass, cadmium plated .
- Compensating washer: steel, cadmium plated .
- Nuts : steel, cadmium plated .
- Packaging : per 100 pieces .
- Corrosion resistance : 50 hour exposure to salt spray .

Part number	863001LF
-------------	----------

NOTE1:RoHS INFORMATION

- The "LF" product meets European union Directives and other country regulations as described in GS-22-008.
- The product is not intended to be exposed to a manufacturing solder process.
- Plating: Zinc Cr3+, white color.
- Packaging spec: see GS-14-920.

European Views

www.fciconnect.com		surface ISO 1302 ✓	tolerance std ISO 406 ISO 1101	projection mm
		TOLERANCES UNLESS OTHERWISE SPECIFIED		size A3
Dr	GOISNARD	2006/01/12	0.X ±0.1	Scale 10
Eng	PESSON	2006/01/12	0.XX ±0.1	ECN LS06-0095
Chr	LEGARE	2006/01/12	0.XXX ±0.1	Spec ref -
Appr	LEGARE	2006/01/12	Product family D-SUB	
FCI		title FEMALE SCREW LOCKS		Rev. B
		catalog no -		chg no C01-8655-1674
				CUSTOMER sheet 1 of 1

rev	ecn no	dr	date
A	LS05-0123	LGO	2006/01/12
B	LS06-0095	LGO	2006/06/26
-	-	-	-
-	-	-	-
-	-	-	-
-	-	-	-

REV F - 2006-04-17