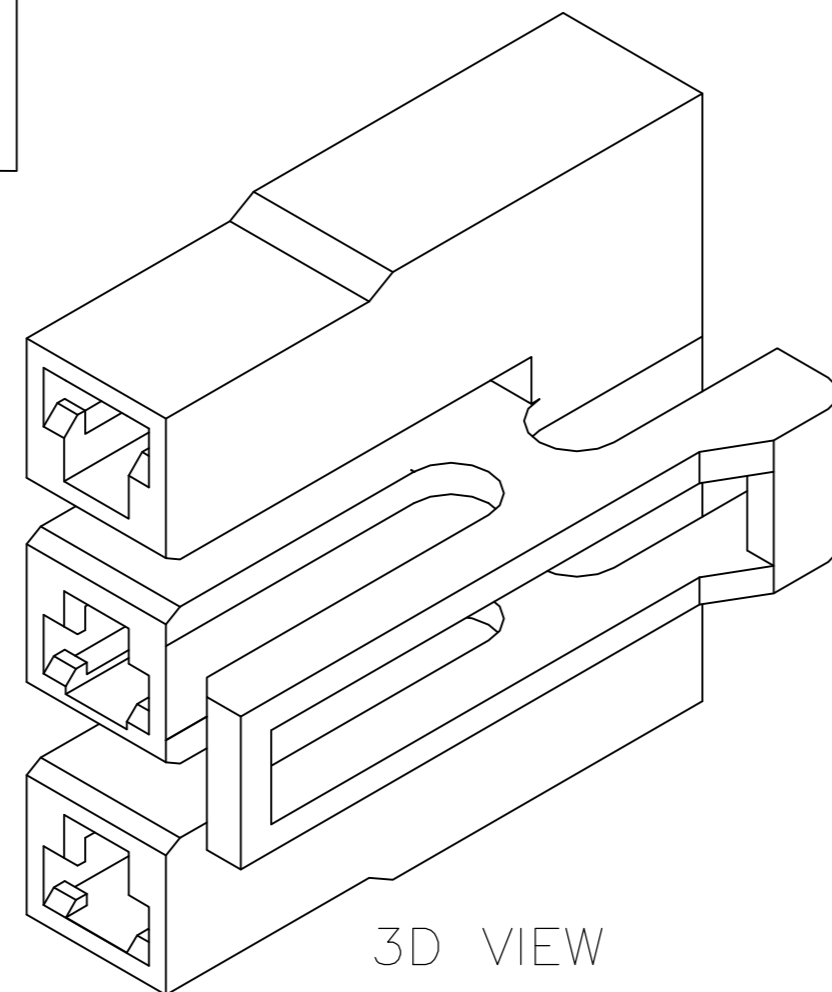
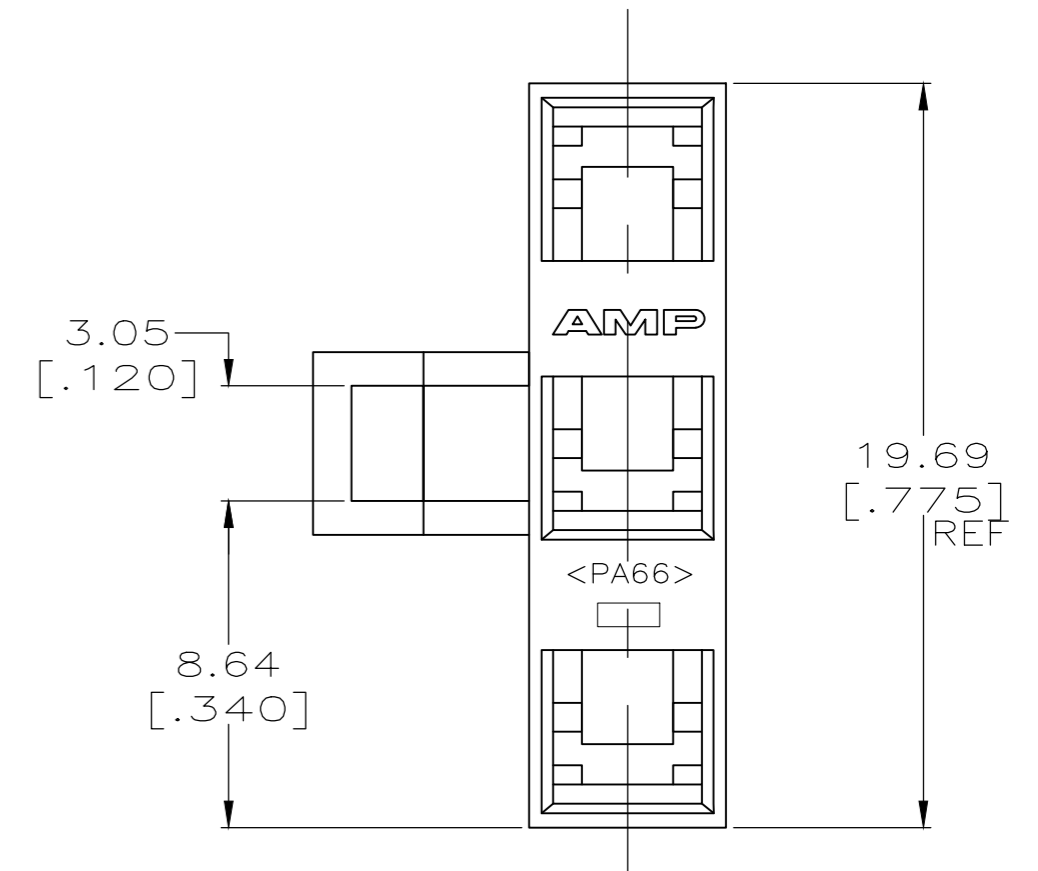
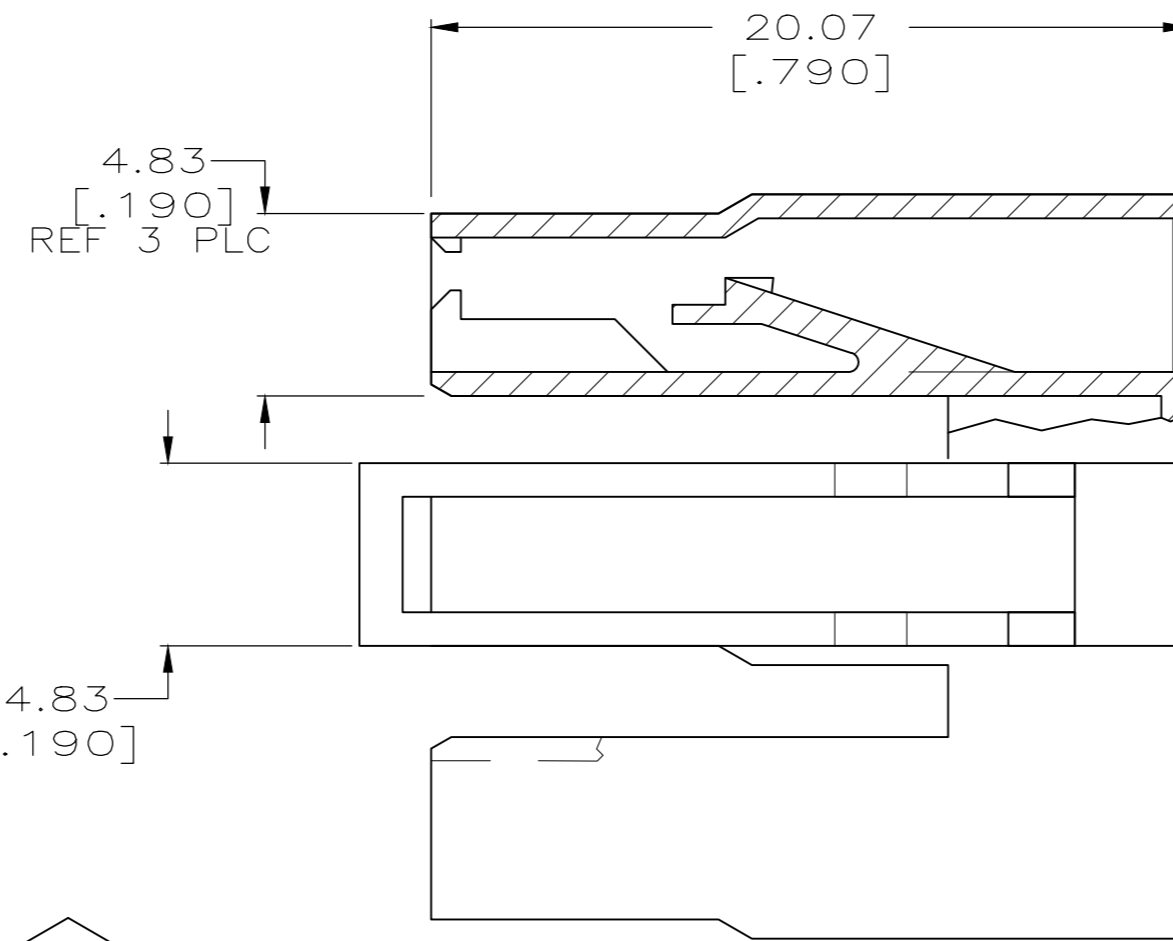
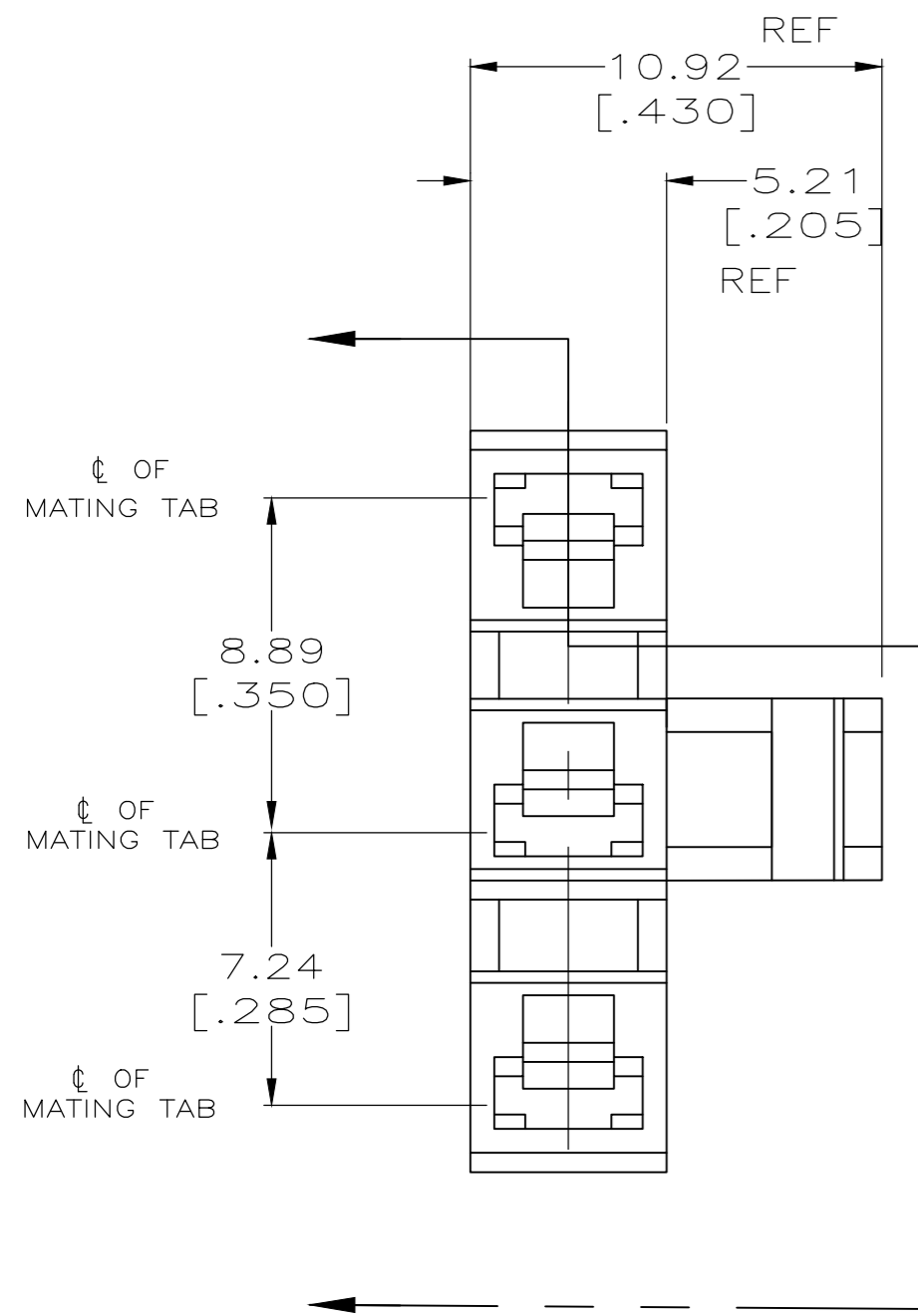
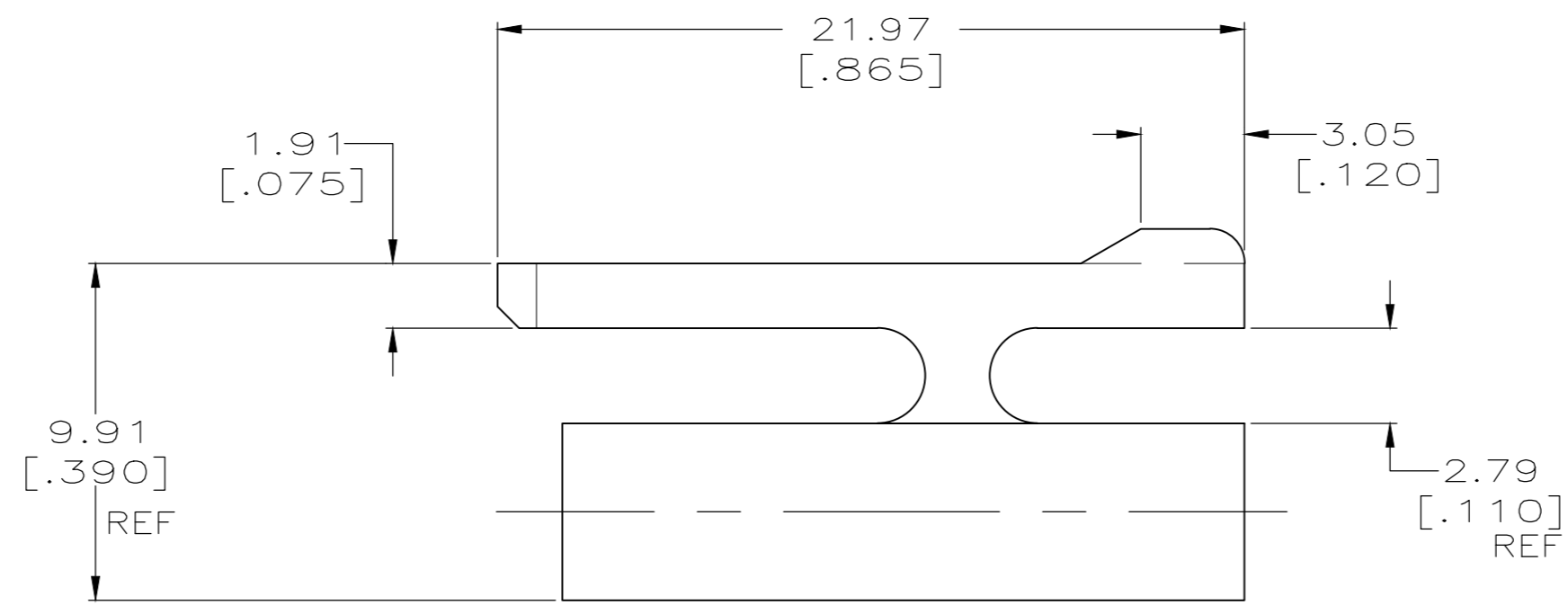


REVISIONS					
P	LTR	DESCRIPTION	DATE	DWN	APVD
J1		REVISED PER ECR-20-005966	15OCT2020	SS	EW



3D VIEW

OBSELETE	6/66 NYLON, V0	521311-2
	6/6 NYLON, V2	521311-1
	MATERIAL	PART NO.

THIS DRAWING IS A CONTROLLED DOCUMENT.		DWN	JR RUTH	OBJUN00	TE Connectivity HOUSING, RECEPT, FASTON, .110 SERIES, 3 POSITION					
DIMENSIONS:		CHK	MS FEHER	OBJUN00						
mm		APVD	P DESANTIS	OBJUN00						
TOLERANCES UNLESS OTHERWISE SPECIFIED:		PRODUCT SPEC		NAME						
0 PLC ± - 1 PLC ± - 2 PLC ± 0.25 [.010] 3 PLC ± - 4 PLC ± - ANGLES ± -		APPLICATION SPEC		SIZE	CAGE CODE	DRAWING NO	RESTRICTED TO			
MATERIAL		FINISH		WEIGHT	A2	00779	C=521311			
SEE TABLE		NATURAL		CUSTOMER DRAWING	SCALE	5:1	SHEET	1 OF 1	REV	J1