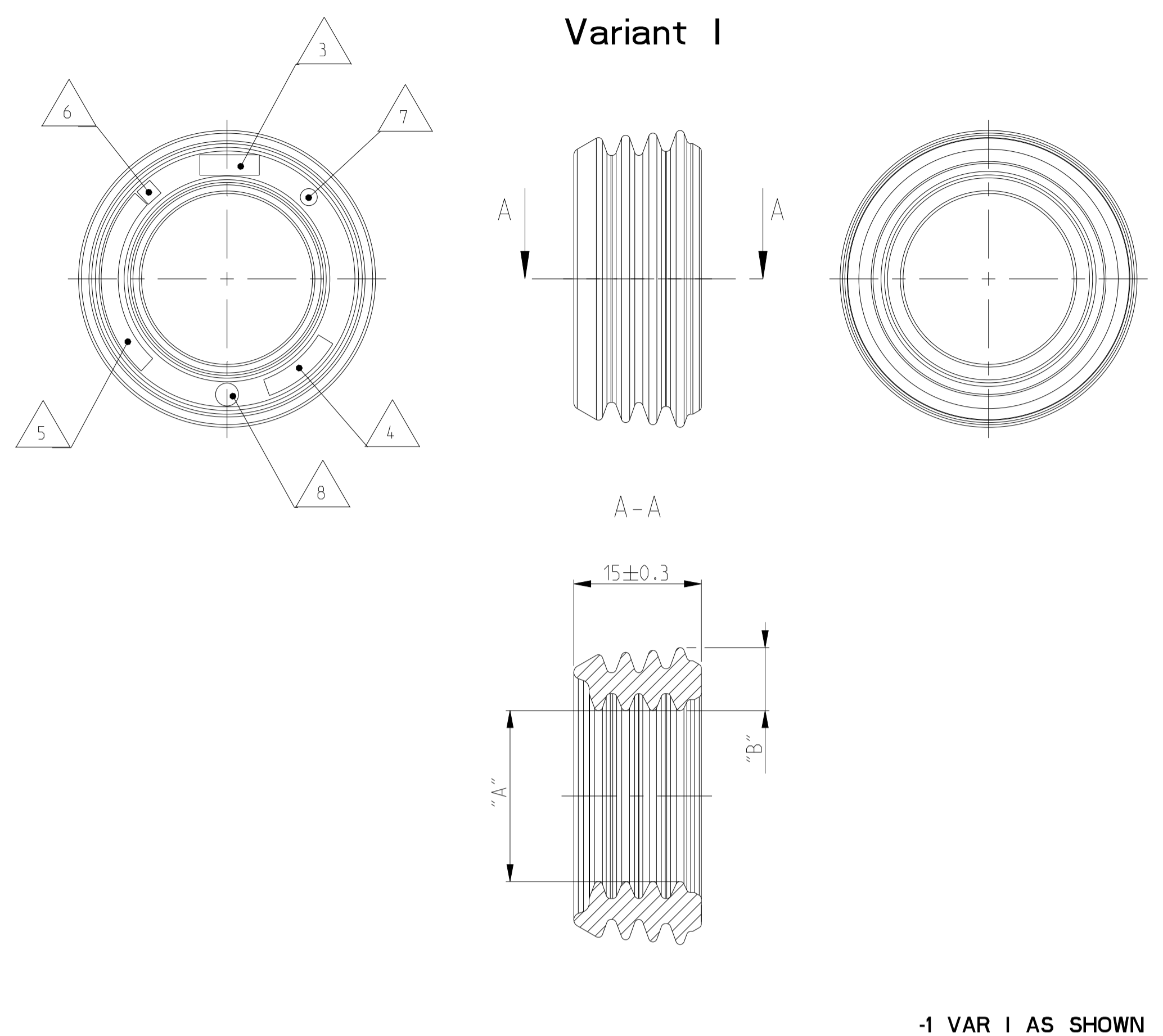
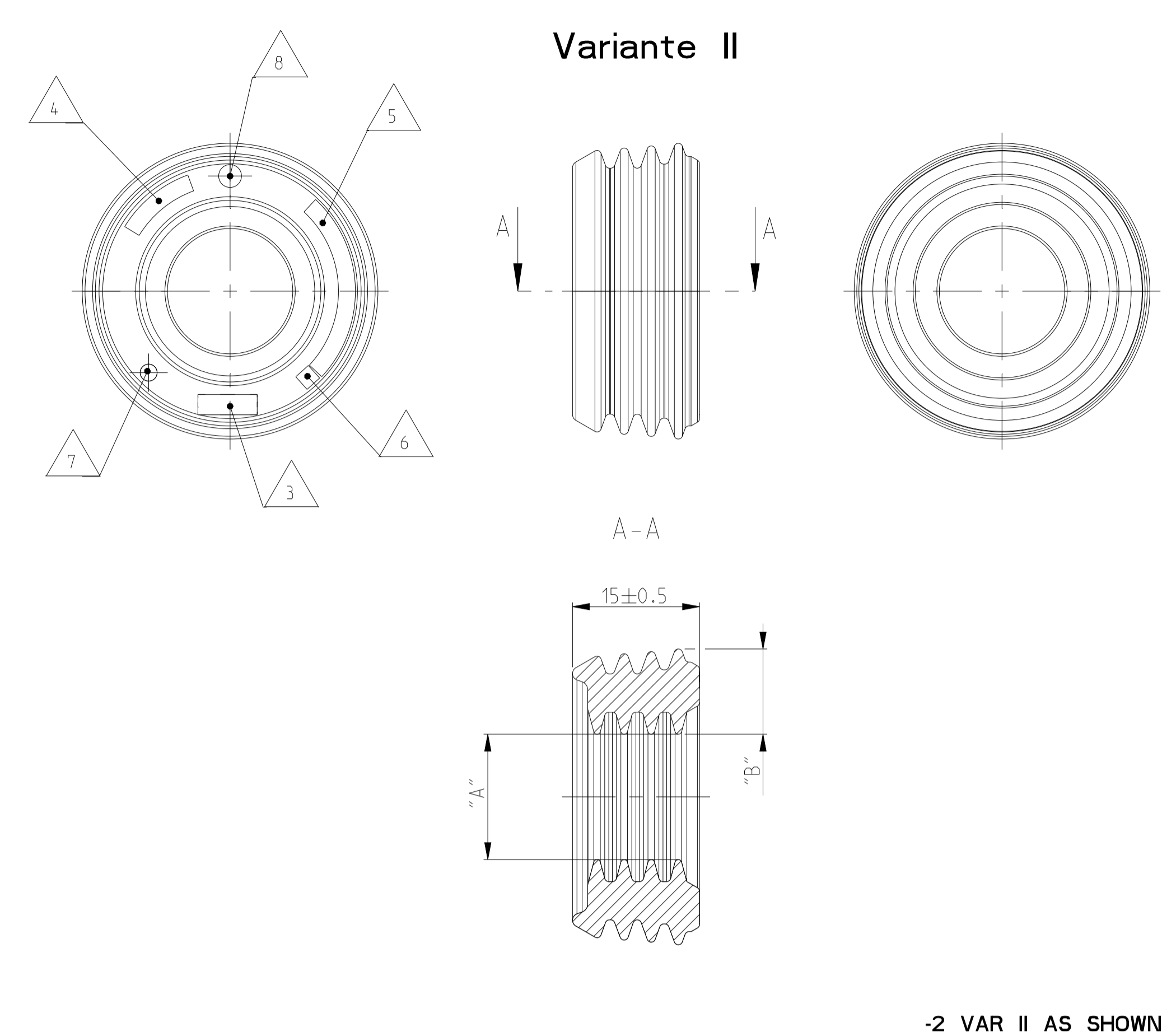


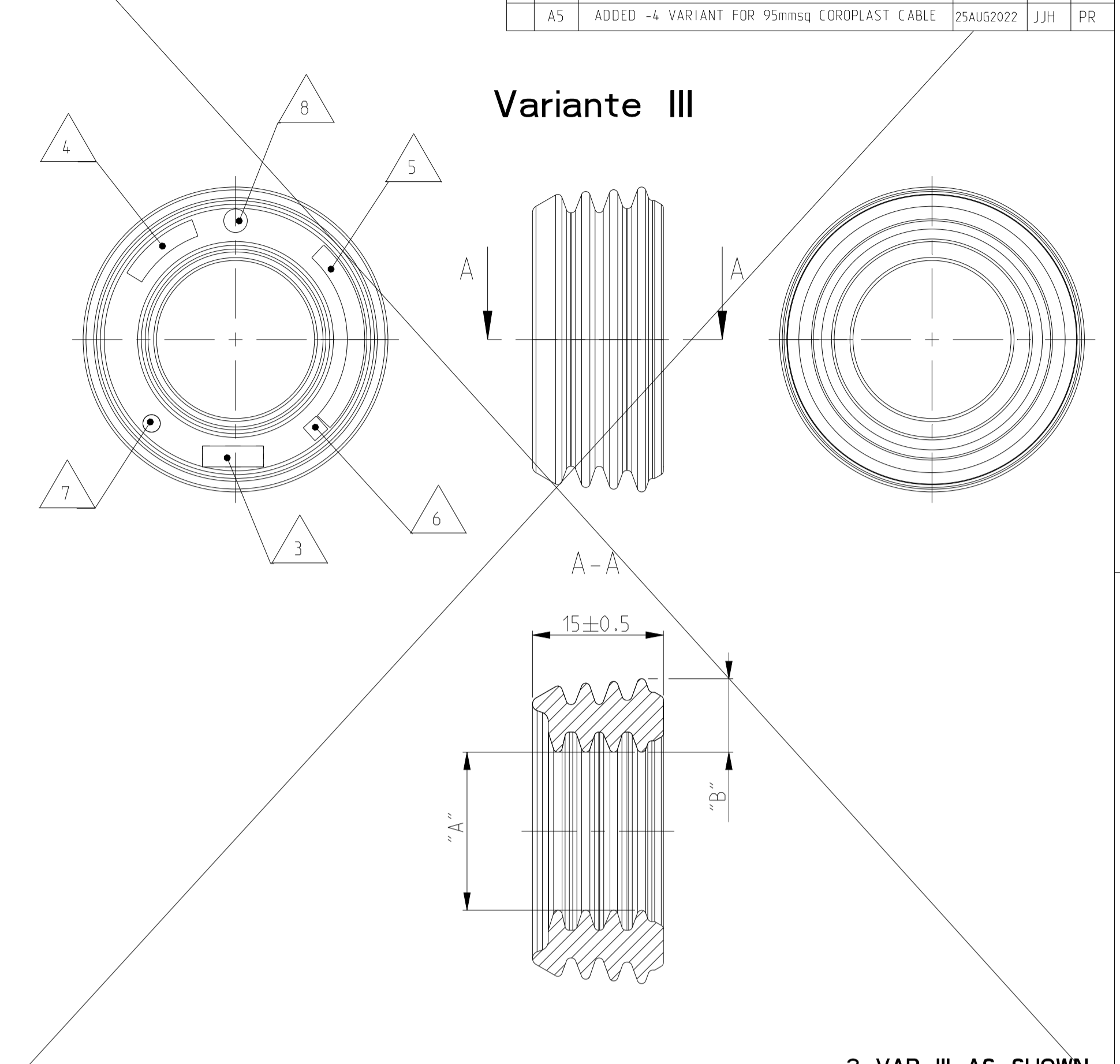
PROJECT NO: PRJ-19-000902256		REVISIONS			
REV	DATE	BY	CHK	APPV	DESCRIPTION
A2	17DEC2009	W MA		MEC	DRAWING CLARIFICATION
A3	30JUL2019	JJH		TS	NEW PART VARIANT ADDED IN BOM
A4	10APR2020	SK		TS	-3 VARIANT OBSOLETE
A5	25AUG2022	JJH		PR	ADDED -4 VARIANT FOR 95mmsq COROPLAST CABLE



-1 VAR I AS SHOWN

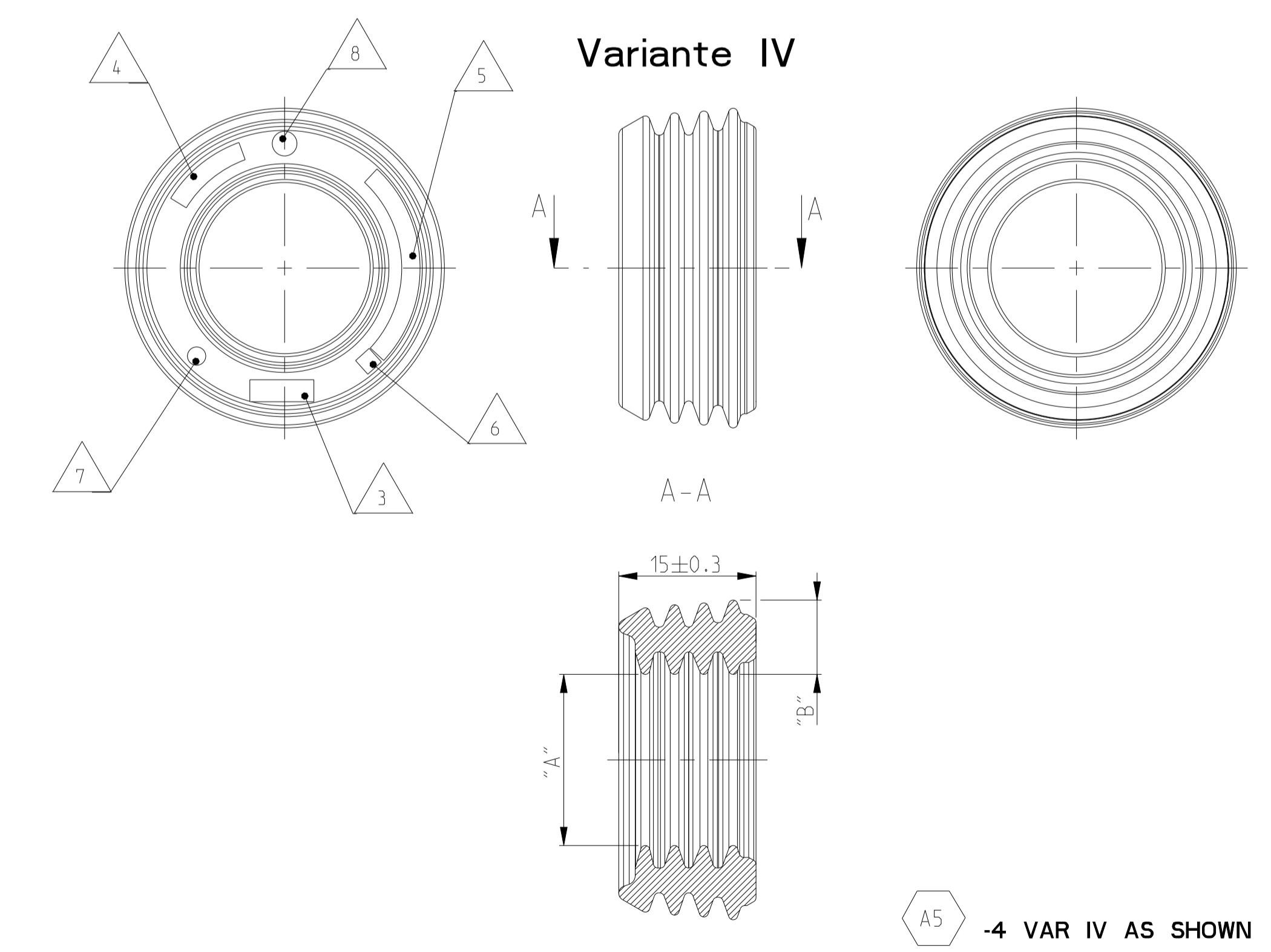


-2 VAR II AS SHOWN



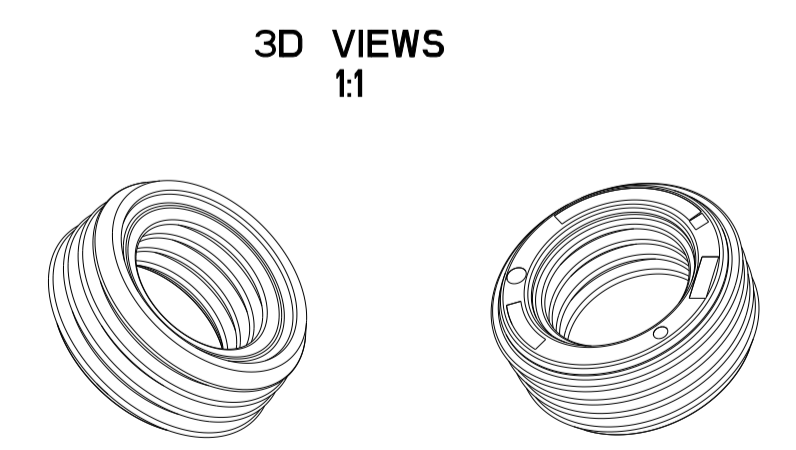
-3 VAR III AS SHOWN

- 1 ONLY THE ENGLISH LANGUAGE VERSION IS AUTHORITATIVE
- 2 SUPPLIED FORM: LOOSE PIECE PACKED INTO AIR TIGHT POLYETHYLENE PACKET
- 3 SUPPLIER MARK
- 4 MATERIAL IDENTIFICATION
- 5 TE Connectivity PART NO.: SEE TABLE
- 6 ACTUAL REVISION: EXCHANGEABLE FOR LETTERS ONLY
- 7 NEST IDENTIFICATION
- 8 DATE CODE



A5 -4 VAR IV AS SHOWN

NOTE	FEATURE	TE Connectivity - No.
9	USE ON 1POS. TERMINAL SCREWED, ASSY SEE OVERVIEW DRAWING - IPT 70 - 120mm ²	1670904
10	PRODUCT-SPEC.	108-94026
11	APPLICATION-SPEC.	114-18769



TITLE	MASS [gr]	TE CONNECTIVITY ORDER-NO.	REV	VAR	MATERIAL	SURFACE COLOUR	FOR WIRE SIZE [mm ²]	WIRE DIAMETER [mm]	DIM "A" [mm]	DIM "B" [mm]
SINGLE WIRE SEAL, PLUG TERM	8.2	1670820-4	A	IV	SILICONE	RED/Rot RAL 3020	95 COROPLAST	Ø20.9+0/-0.8	Ø18.7±0.3	8.1±0.3
SINGLE WIRE SEAL, PLUG TERM	7.27	1670820-3	A	III	SILICONE	BLUE/blau RAL 5015	95 (H+S)	Ø19.9±0.4	Ø18.1±0.3	8.4±0.3
SINGLE WIRE SEAL, PLUG TERM	8.8	1670820-2	A	II	SILICONE	GREEN/gruen SIM./aehnl. RAL 6010	70	Ø17.6±0.4	Ø14.8±0.4	10.1±0.3
SINGLE WIRE SEAL, PLUG TERM	6.8	1670820-1	A	I	SILICONE	NATURAL natur	95 / 120	Ø21.5±0.5	Ø20.1±0.3	7.4±0.3

THIS DRAWING IS A CONTROLLED DOCUMENT. DIMENSIONING AND TOLERANCING PER GPS (ISO STANDARDS) UNLESS OTHERWISE SPECIFIED.

TE Connectivity

SINGLE WIRE SEAL, PLUG TERM
Einzelleitungsichtung, Stecker-Einheit

00779 ©=1670820

SCALE 2:1 SHEET 1 OF 1 REV A5