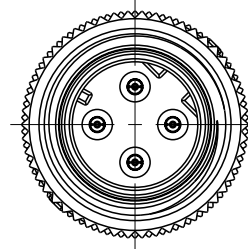


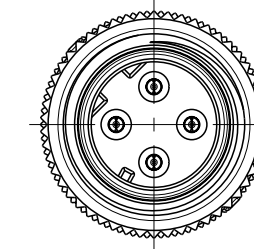
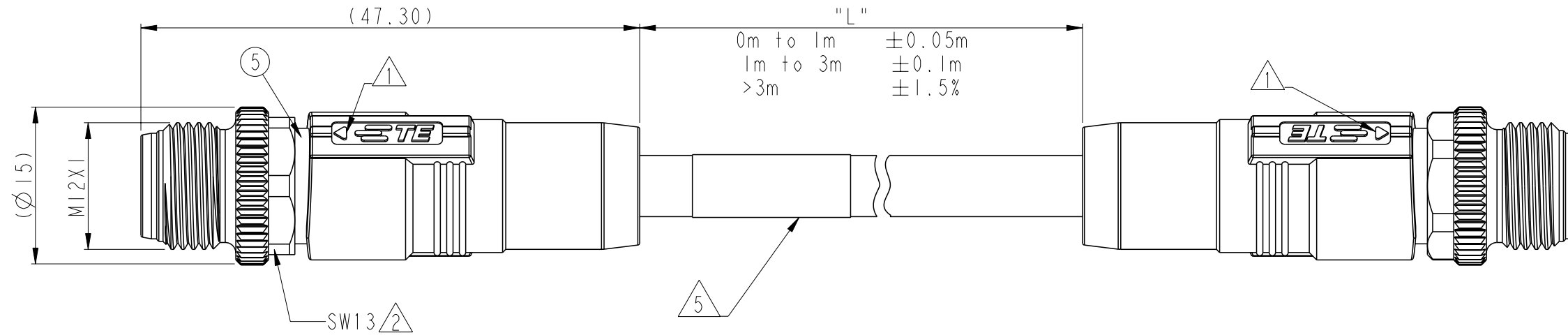
THIS DRAWING IS UNPUBLISHED. RELEASED FOR PUBLICATION 20
 © COPYRIGHT 20 BY - ALL RIGHTS RESERVED.

| REVISIONS | | | | |
|-----------|-----|-----------------|-----------|-------|
| P | LTR | DESCRIPTION | DATE | APVD |
| | A | INITIAL RELEASE | 10MAR2021 | AZ CW |
| | | | | |
| | | | | |

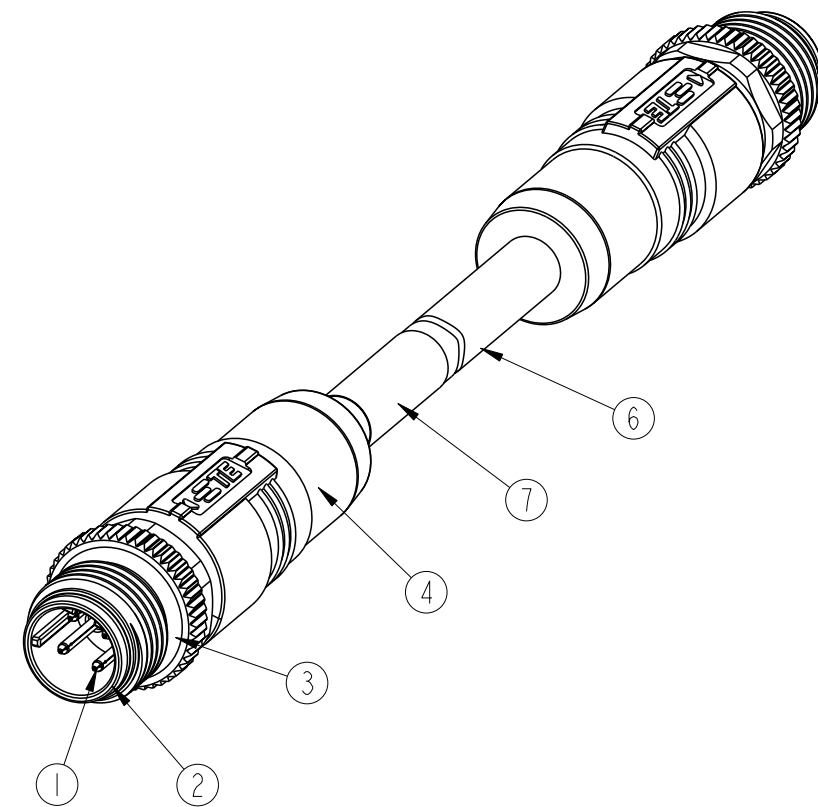
| ITEM | DESCRIPTION | MATERIAL | OTHERS |
|------|----------------|--------------|---------------|
| 1 | MALE CONTACT | COPPER ALLOY | GOLD PLATED |
| 2 | HOUSING | NYLON | BLACK |
| 3 | COUPLING NUT | COPPER ALLOY | NICKEL PLATED |
| 4 | OVER-MOLDING | TPU | BLACK |
| 5 | SHIELDED SHELL | COPPER ALLOY | NICKEL PLATED |
| 6 | CABLE | TPE | TEAL |
| 7 | LABEL | - | - |



MI2 MALE, 4POLES, D-CODED



MI2 MALE, 4POLES, D-CODED



NOTE:

- ① CODE POSITION INDICATOR
- ② RECOMMENDED TORQUE 0.6 Nm
- ③ -** : CABLE LENGTH, FOR EXAMPLE: -0.5M
- ④ CABLE ASSEMBLY TO BE PACKAGED IN POLYBAGS
- ⑤ LABEL CONTAINS: PN, DATE CODE...
- ⑥ -XXX : FOR CABLE LENGTH, REFER TO LENGTH "L"

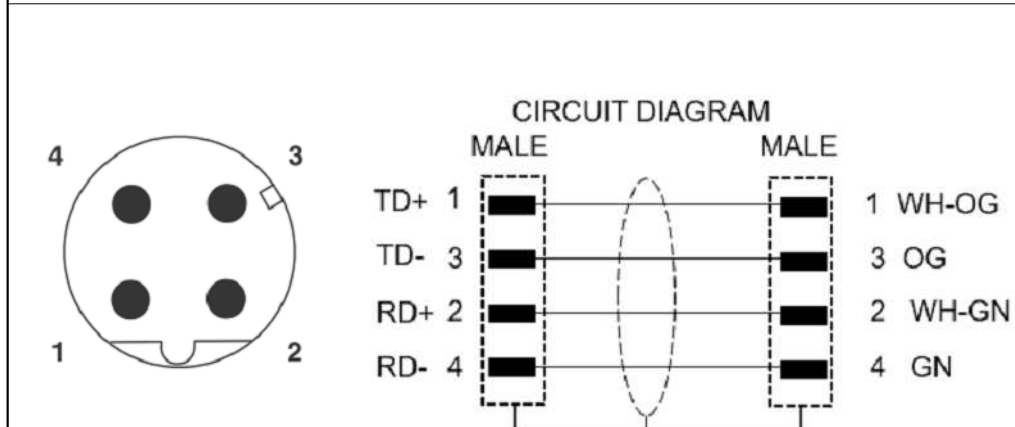
注释:

- ① CODE位置指示
- ② 推荐扭矩0.6 Nm
- ③ -** : 线缆长度, 例如: -0.5M
- ④ 线缆组件塑料袋包装
- ⑤ 标签包含: 产品编号, 日期代码...
- ⑥ -XXX : 线缆长度, 参照长度"L"

| | | | | | | |
|--|--|--------------|-----------------|------------------------|------|------------------|
| WIRES: 2X2X24AWG WIRE COLOR: GREEN X WHITE/GREEN ORANGE X WHITE/ORANGE OD: APPROX. 6.6MM TEMPERATURE RATING: 80°C UL OPERATING TEMP RATING: -40°C To +80°C C-TRACK: 35 MILLION CYCLE, 4" RADIUS TORSION: 3 MILLION CYCLE (+/-270°) | TYPICAL LENGTH: -001: 0.5M -002: 1.0M -020: 2.0M -005: 5.0M -007: 10.0M -150: 15.0M -200: 20.0M -250: 25.0M -300: 30.0M | TEAL | TPE | M12D4-MS-MS-TPE SH-**③ | 4 | TAD1473A201-XXX⑥ |
| CUSTOMIZATION RULES: -003: 1.5M -004: 3.0M -006: 7.0M -99X: 0.XM (<1.0M) (-993: 0.3M) -XXX: XX.XM (>1.0M) (-155: 15.5M) | LENGTH "L" | JACKET COLOR | JACKET MATERIAL | TYPE | POS. | TE PN |

PIN ARRANGEMENT
D-CODE

| | | | |
|-------|-----|--------------|-----|
| PIN 1 | TD+ | WHITE-ORANGE | 白-橙 |
| PIN 2 | RD+ | WHITE-GREEN | 白-绿 |
| PIN 3 | TD- | ORANGE | 橙 |
| PIN 4 | RD- | GREEN | 绿 |



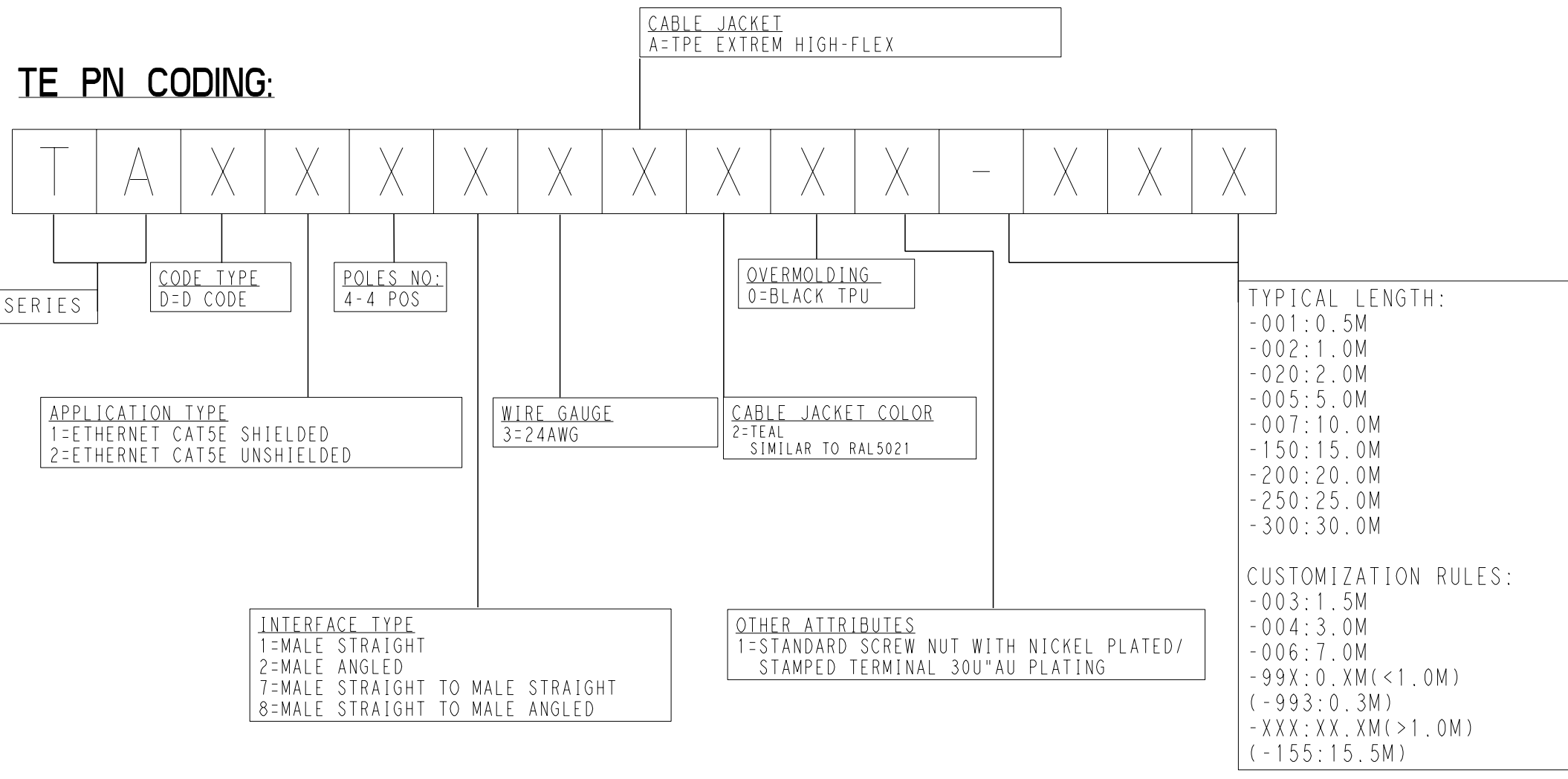
THIS DRAWING IS A CONTROLLED DOCUMENT.


| | | | | |
|------------------|--|------------------------------|--|--------|
| DIMENSIONS: mm | TOLERANCES UNLESS OTHERWISE SPECIFIED: | DWN: ALEX ZHANG 12MAR2020 | TE Connectivity | |
| | 0 PLC ± | CHK: HEAT HE 12MAR2020 | | |
| | 1 PLC ± | APVD: CHRIS WANG 12MAR2020 | | |
| | 2 PLC ± | PRODUCT SPEC: 108-106140 | | |
| MATERIAL: - | FINISH: - | APPLICATION SPEC: 114-137144 | NAME: M12 D CODE CABLE ASSY, SHIELDED 4P, MS TO MS | |
| CUSTOMER DRAWING | | SCALE: 2:1 | SHEET: 1 OF 2 | REV: A |

THIS DRAWING IS UNPUBLISHED. RELEASED FOR PUBLICATION 20
 © COPYRIGHT 20 BY - ALL RIGHTS RESERVED.

| REVISIONS | | | | |
|-----------|-----|-------------|------|------|
| P | LTR | DESCRIPTION | DATE | APVD |
| - | - | SEE SHEET 1 | - | - |
| | | | | |
| | | | | |

| TECHNICAL DATA | |
|----------------------|-----------------|
| RATED VOLTAGE | 250V 30V(UL) |
| RATED CURRENT | 4A 1.5A(UL) |
| POLLUTION DEGREE | 3 |
| OVERVOLTAGE CATEGORY | II |
| MATERIAL GROUP | II |
| DEGREE OF PROTECTION | IP67 |



| | | | | |
|---|--|---------------------------------|---|--------------------------------|
| THIS DRAWING IS A CONTROLLED DOCUMENT. | | DWN ALEX ZHANG 12MAR2020 |  TE Connectivity | |
| DIMENSIONS: mm | | CHK HEAT HE 12MAR2020 | | |
| TOLERANCES UNLESS OTHERWISE SPECIFIED: | | APVD CHRIS WANG 12MAR2020 | NAME M12 D CODE CABLE ASSY,SHIELDED 4P,MS TO MS | |
| 0 PLC ± 1 PLC ± 2 PLC ± 3 PLC ± 4 PLC ± ANGLES ± | | PRODUCT SPEC 108-106140 | SIZE A2 | |
| MATERIAL | | APPLICATION SPEC 114-137144 | CAGE CODE - | DRAWING NO G-TADI473A201XXX |
| FINISH | | WEIGHT - | RESTRICTED TO | |
| | | CUSTOMER DRAWING | SCALE 2:1 | SHEET 2 OF 2 |
| | | | REV A | |