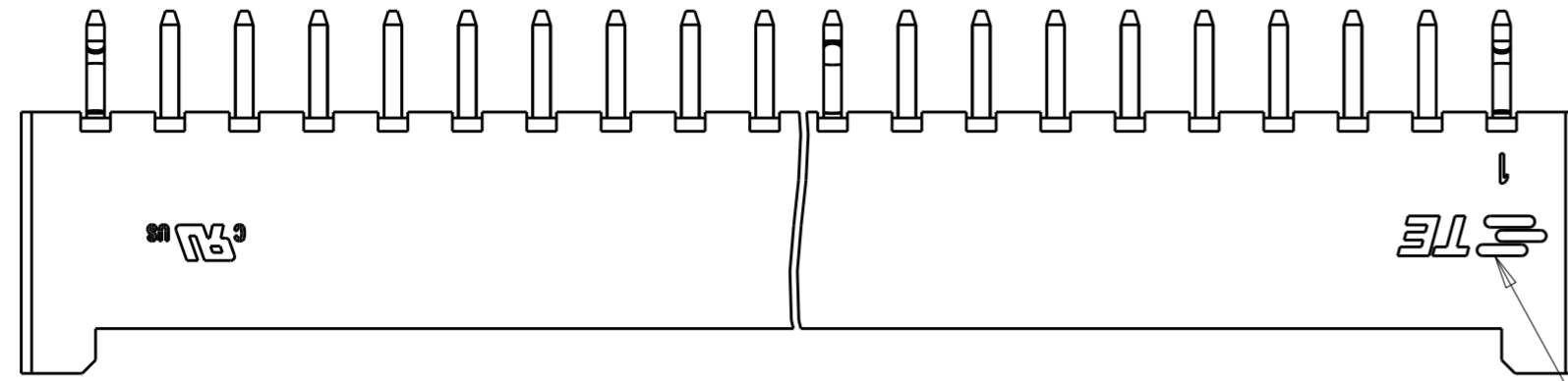


THIS DRAWING IS UNPUBLISHED. RELEASED FOR PUBLICATION 20  
 © COPYRIGHT 20 BY - ALL RIGHTS RESERVED.

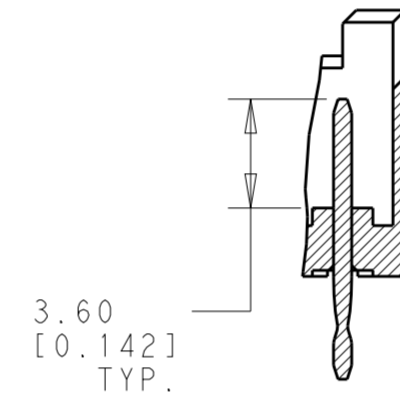
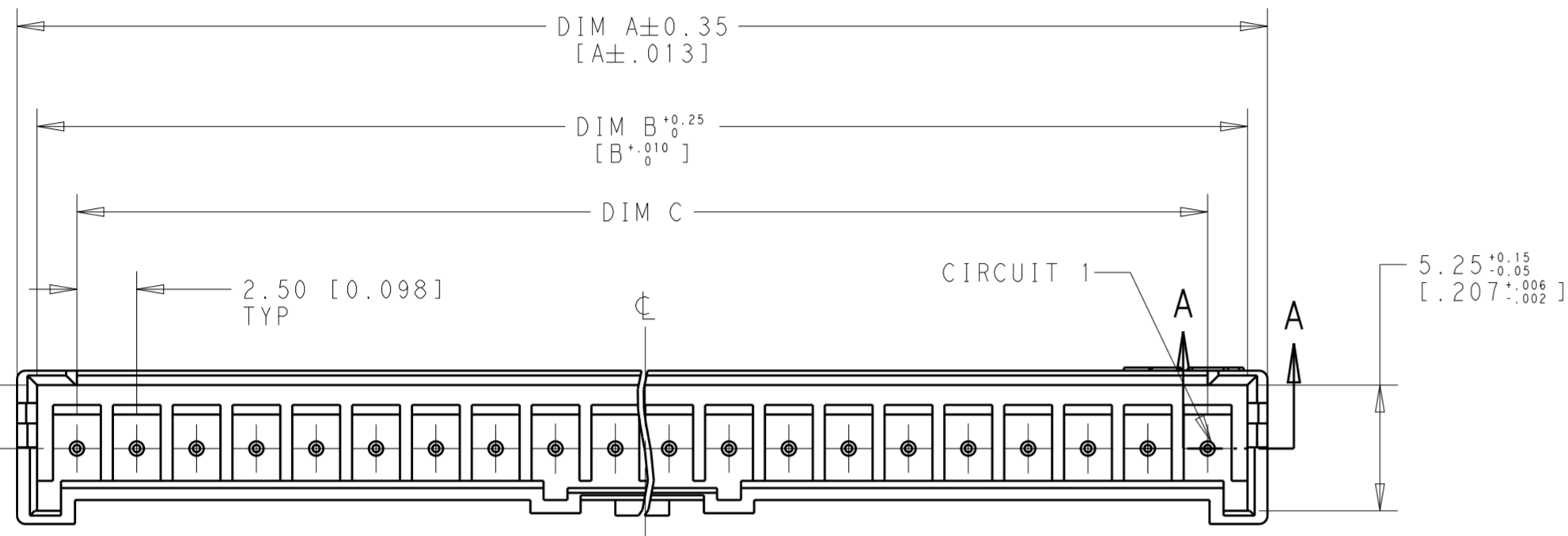
REVISIONS				
P	LTR	DESCRIPTION	DATE	APVD
A3		REVISED PER ECR-16-015820	22NOV2016	O.C D.Z



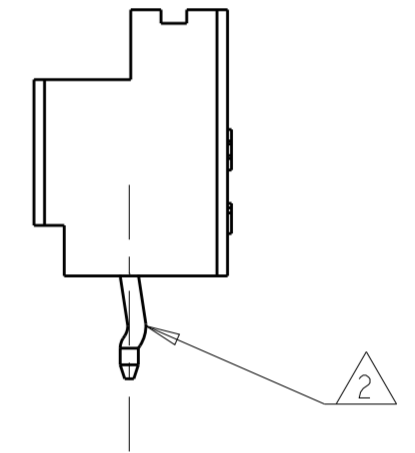
TE LOGO

1 MATERIAL: HOUSING: THERMOPLASTIC, UL94 V0, COLOR: NATURAL.  
 TERMINAL: BRASS, NICKEL UNDER PLATING,  
 Tin PLATING ON PIN AREA.

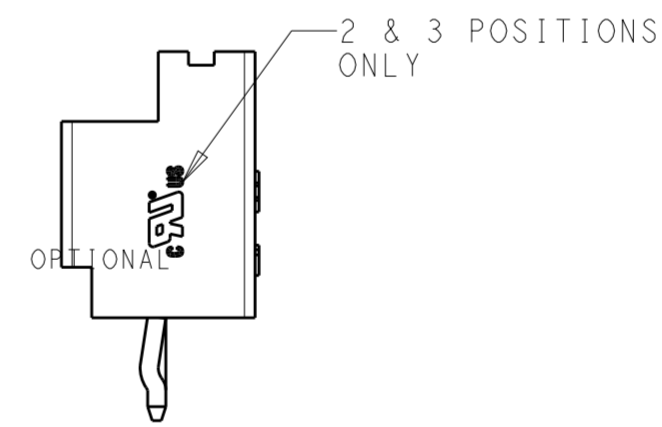
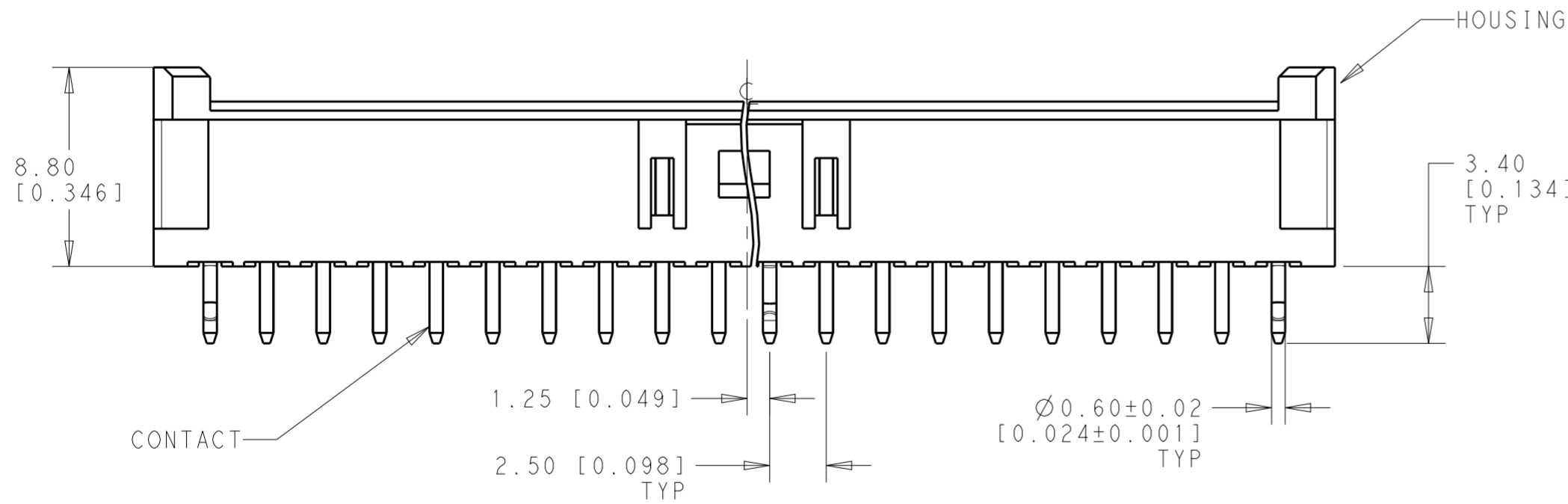
2 CONTACT SOLDER TAIL KINK DIRECTION (BOARLOCK)  
 SEE BELOW TABLE.



SECTION A-A

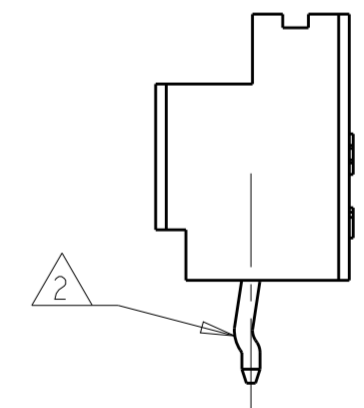


MIDDLE

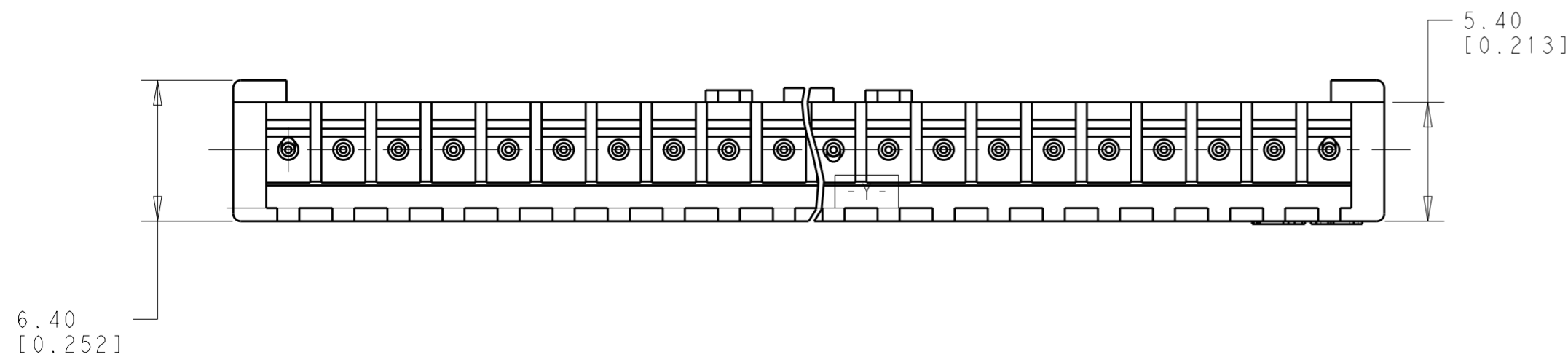


OPTIONAL

2 & 3 POSITIONS ONLY



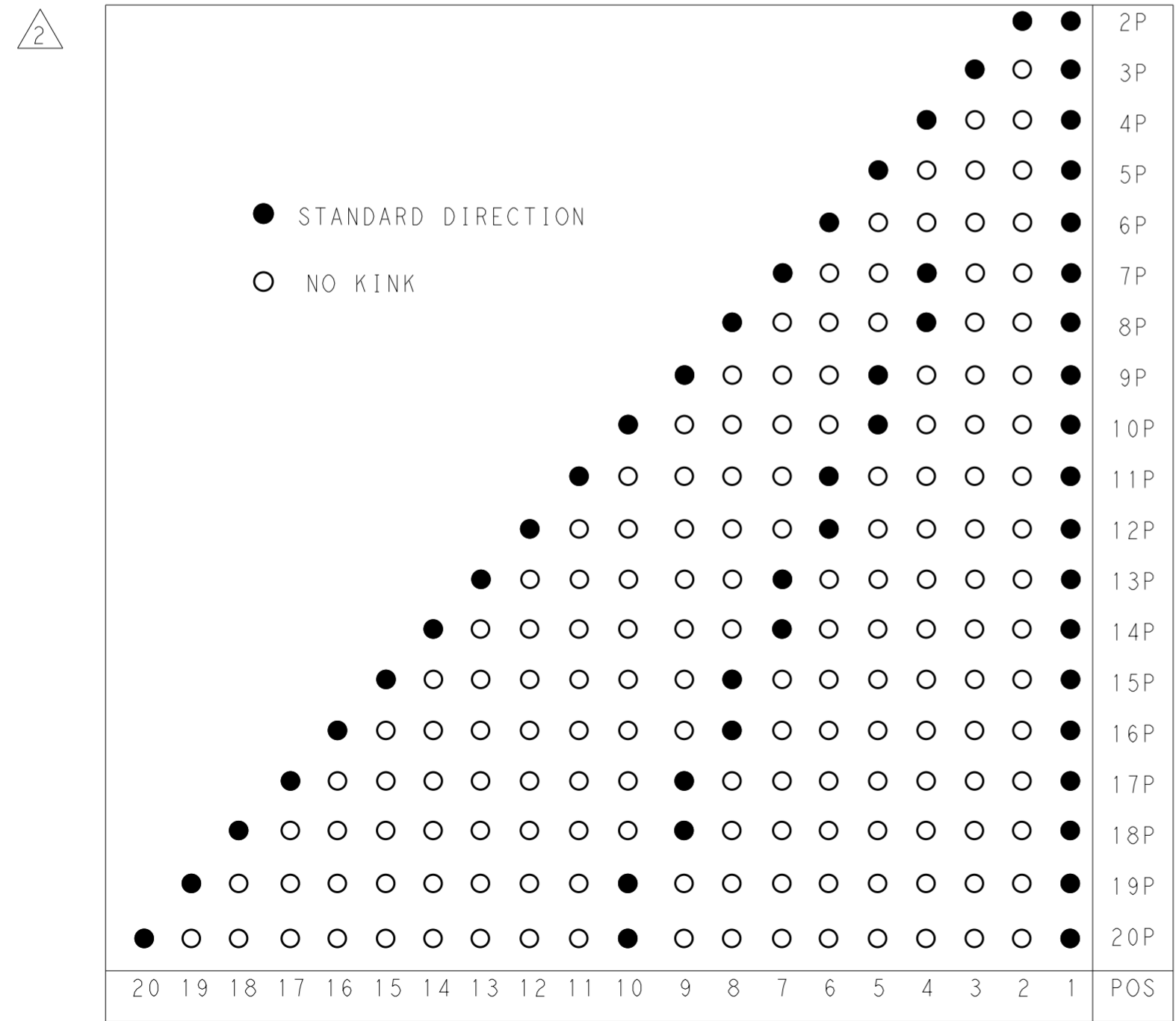
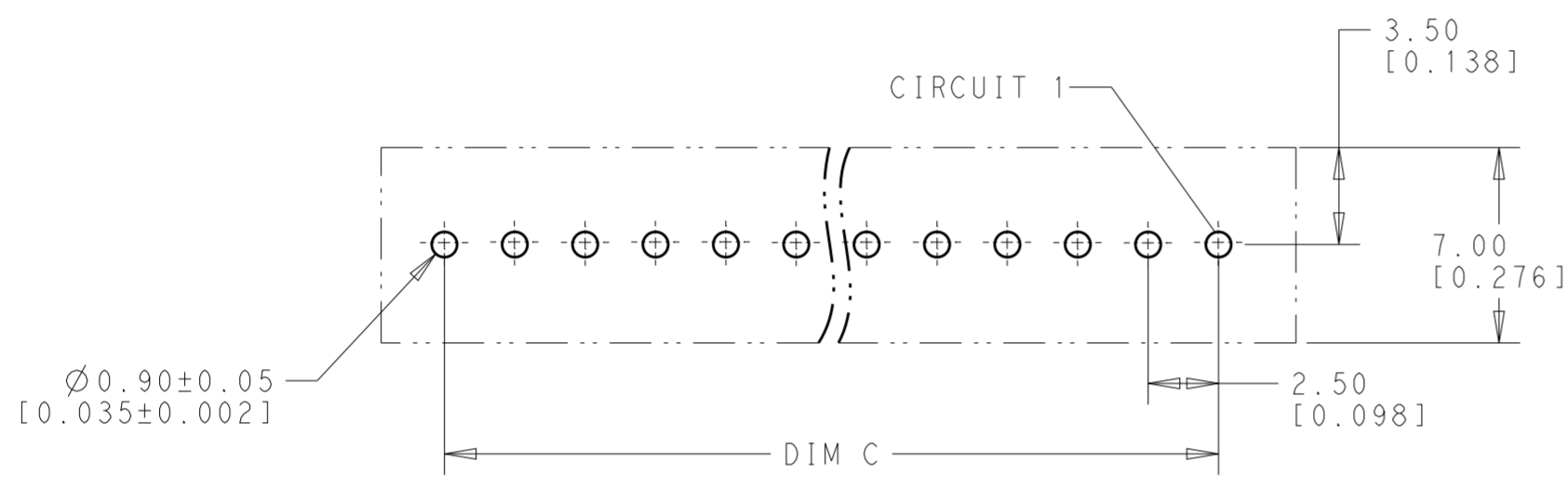
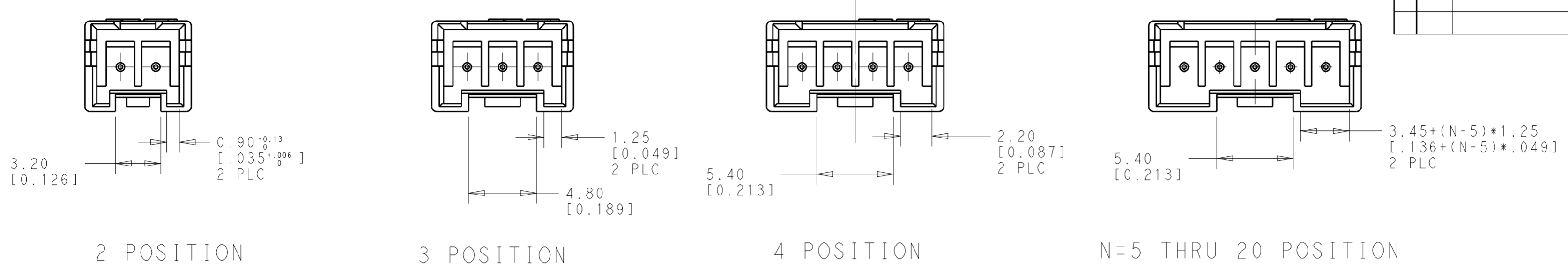
SIDE



THIS DRAWING IS A CONTROLLED DOCUMENT.		DWN NAGALAKSHMI K	TE Connectivity	
DIMENSIONS: mm [INCHES]		CHK CHIARELLI DAVIDE		
TOLERANCES UNLESS OTHERWISE SPECIFIED:		APVD CHIARELLI DAVIDE	NAME HEADER ASSEMBLY, VERTICAL, ECONOMY POWER, 2.5mm CENTERLINE	
0 PLC ±	1 PLC ±0.30	PRODUCT SPEC 108-2418	SIZE A2	CAGE CODE 00779
2 PLC ±0.20	3 PLC ±	APPLICATION SPEC 114-13315	DRAWING NO C-1969729	RESTRICTED TO -
4 PLC ±	ANGLES ±3°	WEIGHT -	SCALE 4:1	SHEET 1 OF 2
MATERIAL -	FINISH -	CUSTOMER DRAWING	REV A3	

THIS DRAWING IS UNPUBLISHED. RELEASED FOR PUBLICATION 20  
 © COPYRIGHT 20 BY - ALL RIGHTS RESERVED.

REVISIONS				
P	LTR	DESCRIPTION	DATE	APVD
		SEE SHEET 1		



47.5 [1.870]	50.83[2.001]	52.5 [2.067]	20	2-1969729-0
45.0 [1.772]	48.33[1.903]	50.0 [1.968]	19	1-1969729-9
42.5 [1.673]	45.83[1.804]	47.5 [1.870]	18	1-1969729-8
40.0 [1.575]	43.33[1.706]	45.0 [1.772]	17	1-1969729-7
37.5 [1.476]	40.83[1.607]	42.5 [1.673]	16	1-1969729-6
35.0 [1.378]	38.33[1.510]	40.0 [1.575]	15	1-1969729-5
32.5 [1.280]	35.83[1.411]	37.5 [1.476]	14	1-1969729-4
30.0 [1.181]	33.33[1.312]	35.0 [1.378]	13	1-1969729-3
27.5 [1.083]	30.83[1.214]	32.5 [1.280]	12	1-1969729-2
25.0 [.984]	28.33[1.115]	30.0 [1.181]	11	1-1969729-1
22.5 [.886]	25.83[1.016]	27.5 [1.083]	10	1-1969729-0
20.0 [.787]	23.33[.919]	25.0 [.984]	9	1969729-9
17.5 [.689]	20.83[.820]	22.5 [.886]	8	1969729-8
15.0 [.591]	18.33[.722]	20.0 [.787]	7	1969729-7
12.5 [.492]	15.83[.623]	17.5 [.689]	6	1969729-6
10.0 [.395]	13.33[.525]	15.0 [.591]	5	1969729-5
7.5 [.295]	10.83[.426]	12.5 [.492]	4	1969729-4
5.0 [.197]	8.33[.328]	10.0 [.395]	3	1969729-3
2.5 [.098]	5.83[.229]	7.5 [.295]	2	1969729-2
DIM C	DIM B	DIM A	POS	PART NO

THIS DRAWING IS A CONTROLLED DOCUMENT.

DWN: NAGALAKSHMI K. 04 JUN 2016  
 CHK: CHIARELLI DAVIDE 04 JUN 2016  
 APVD: CHIARELLI DAVIDE 04 JUN 2016

TE Connectivity

NAME: HEADER ASSEMBLY, VERTICAL, ECONOMY POWER, 2.5mm CENTERLINE

PRODUCT SPEC: 108-2418  
 APPLICATION SPEC: 114-13315

MATERIAL: -  
 FINISH: -

WEIGHT: -

SIZE: A2  
 CAGE CODE: 00779  
 DRAWING NO: C-1969729

RESTRICTED TO: -

CUSTOMER DRAWING  
 SCALE: 4:1  
 SHEET: 2 OF 2  
 REV: A3