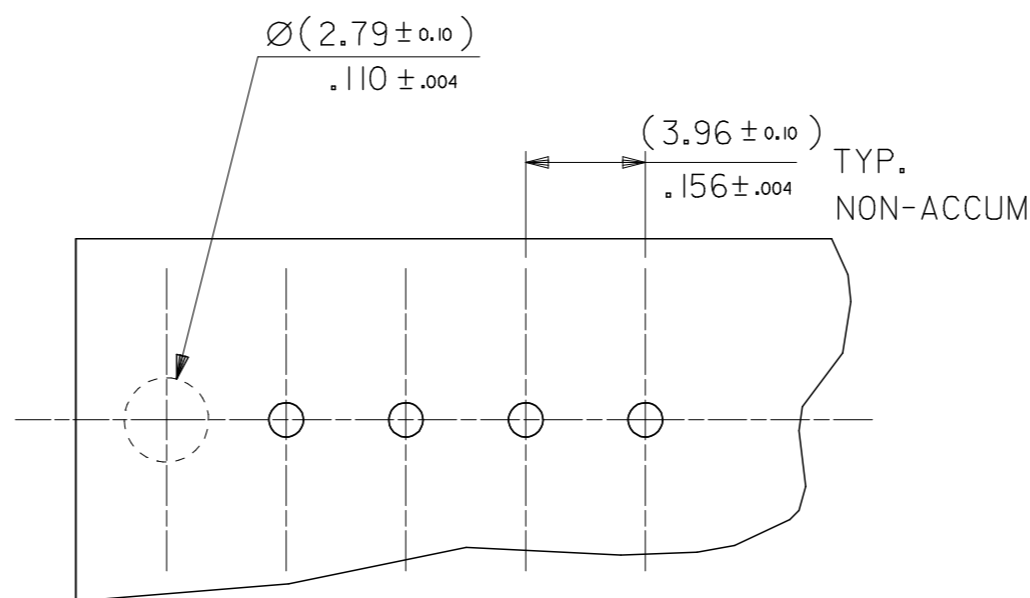
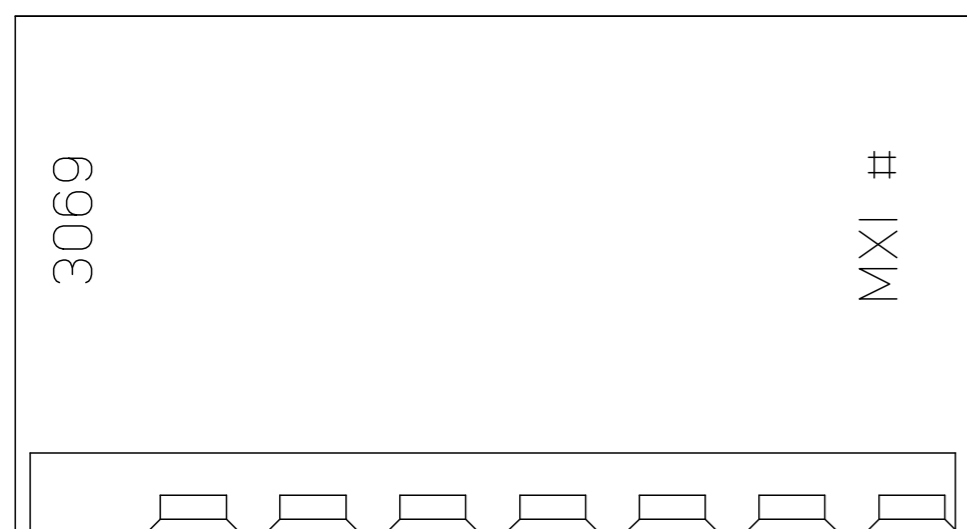
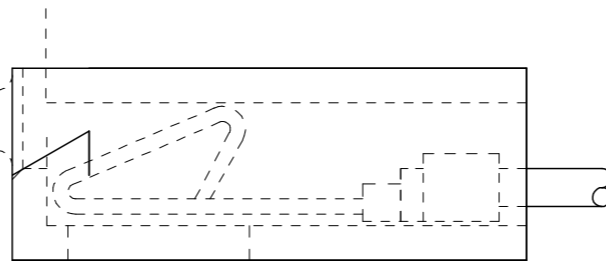
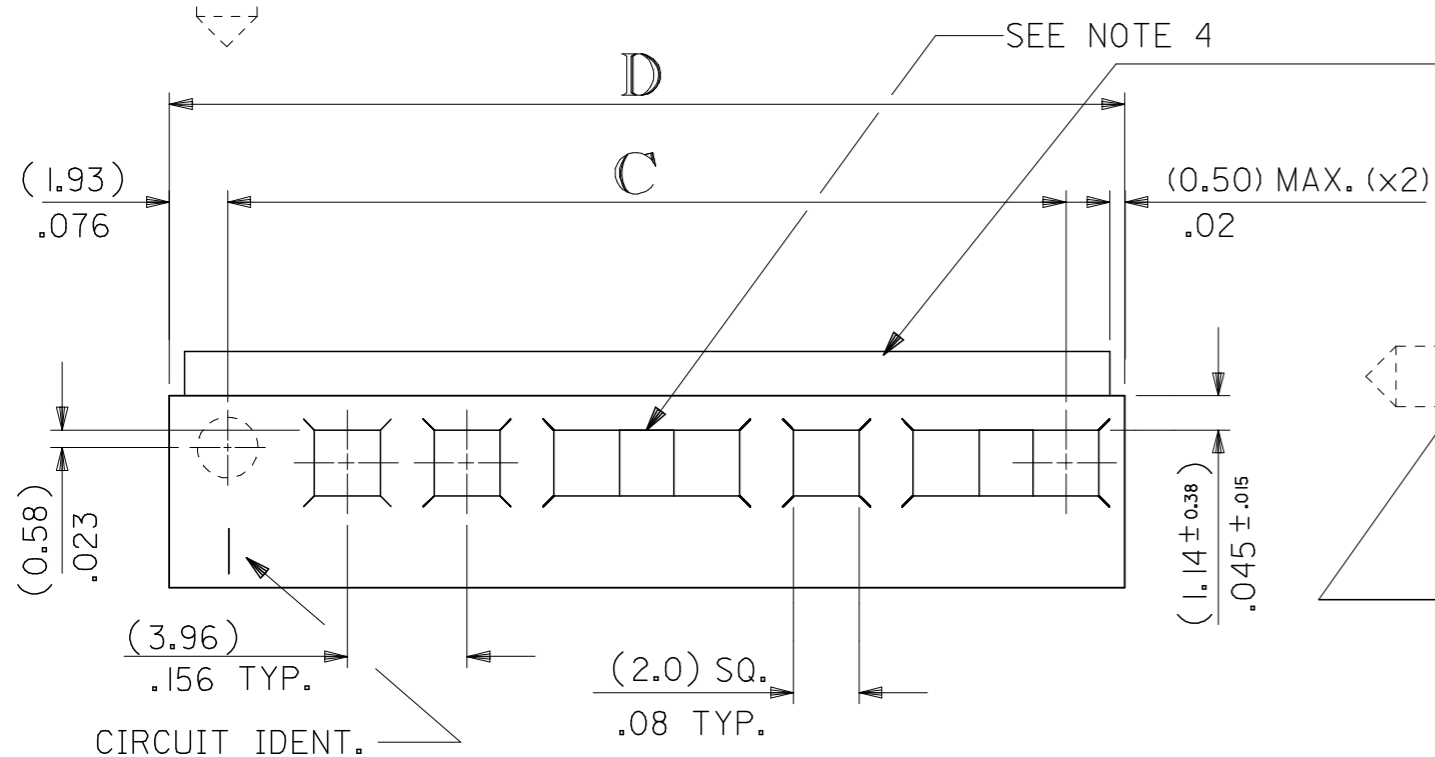


OPTIONAL WINDOW DETAIL



RECOMMENDED P/C BOARD



LOCKING RAMP OPTIONAL

(2.5)

.10

30°

OPTIONAL PEG IN POSITION No. 1 ONLY

DIRECTION OF TERMINAL INSERTION.

ENG. No. DESIGNATION

3069 - A N 2 P

"A" DESIGNATES NYLON 6/6, 94V-0 COLOUR RED  
 "BLANK" DESIGNATES NYLON 6/6  
 "B" DESIGNATES NYLON 6/6, 94V-0 COLOUR WHITE

"P" INDICATES HOUSING WITH PEG  
 "BLANK" INDICATES HOUSING WITHOUT PEG.

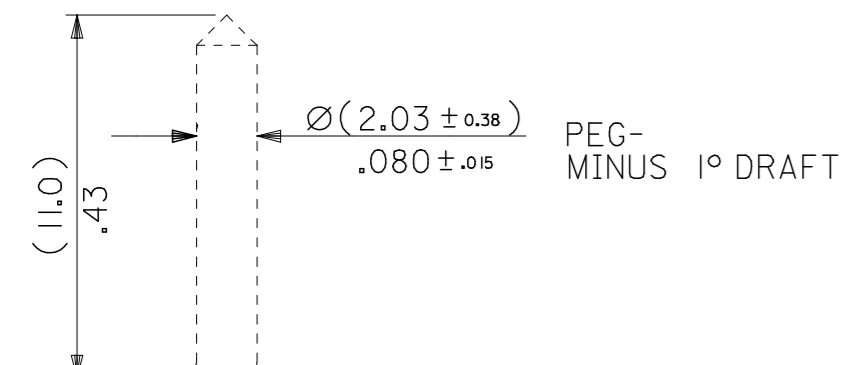
"2" INDICATES HOUSING WITHOUT RAMP  
 "BLANK" INDICATES HOUSING WITH RAMP

NO. OF CKT'S

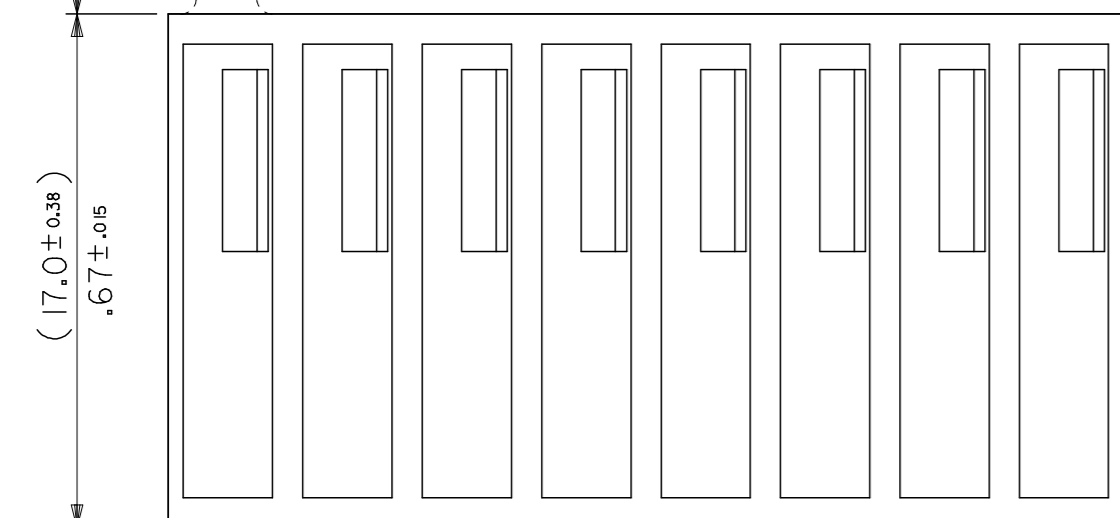
No. OF CCTS.	C	D	No. OF CCTS.	C	D
14	(51.51 ± 0.36) 2.028 ± .014	(55.37 ± 0.36) 2.180 ± .014	2	(3.96 ± 0.15) .156 ± .005	(7.82 ± 0.25) .308 ± .010
15	(55.47 ± 0.36) 2.184 ± .014	(59.33 ± 0.36) 2.336 ± .014	3	(7.92 ± 0.15) .312 ± .005	(11.79 ± 0.25) .464 ± .010
16	(59.44 ± 0.36) 2.340 ± .014	(63.30 ± 0.36) 2.492 ± .014	4	(11.89 ± 0.15) .468 ± .005	(15.75 ± 0.25) .620 ± .010
17	(63.40 ± 0.36) 2.496 ± .014	(67.26 ± 0.36) 2.648 ± .014	5	(15.85 ± 0.15) .624 ± .005	(19.71 ± 0.25) .776 ± .010
18	(67.36 ± 0.36) 2.652 ± .014	(71.22 ± 0.36) 2.804 ± .014	6	(19.81 ± 0.15) .780 ± .005	(23.67 ± 0.25) .932 ± .010
19	(71.32 ± 0.36) 2.808 ± .014	(75.18 ± 0.36) 2.960 ± .014	7	(23.77 ± 0.15) .936 ± .005	(27.64 ± 0.31) 1.088 ± .012
20	(75.29 ± 0.36) 2.964 ± .014	(79.15 ± 0.46) 3.116 ± .018	8	(27.74 ± 0.25) 1.092 ± .010	(31.60 ± 0.31) 1.244 ± .012
			9	(31.70 ± 0.25) 1.248 ± .010	(35.56 ± 0.31) 1.400 ± .012
			10	(35.66 ± 0.25) 1.404 ± .010	(39.52 ± 0.31) 1.556 ± .012
			11	(39.62 ± 0.25) 1.560 ± .010	(43.48 ± 0.31) 1.712 ± .012
			12	(43.59 ± 0.25) 1.716 ± .010	(47.45 ± 0.31) 1.868 ± .012
			13	(47.55 ± 0.31) 1.872 ± .012	(51.41 ± 0.36) 2.024 ± .014

NOTES:

- 1) SIMILAR TO 2139-N EXCEPT WITH POLARIZING PEG.
- 2) FOR USE WITH TERMINAL No. 2478 OR 2578
- 3) ASSEMBLED CONNECTOR MATES WITH (.14)/.045 SQUARE OR ROUND PIN.
- 4) EXTENDED PIN ENTRY WINDOWS ARE POSSIBLE.



PEG-MINUS 1° DRAFT



CORRECT TEXT LOC	REV	DESCRIPTION	QUALITY SYMBOLS	GENERAL TOLERANCES (UNLESS SPECIFIED)		DIMENSION STYLE		SCALE	DESIGN UNITS	THIRD ANGLE PROJECTION
				mm	INCH	MM/IN	MM/IN			
EC NO: E2007-0720 DRAWN: DWASZK LEWICZ 2007/03/28 CHK'D: MORIARTY 2007/03/29 APPR: JDENNEY 2007/04/04			▽=0	4 PLACES	± ---	± ---	SM	DATE	1990/04/06	HOUSING, KK CONNECTOR (3.96)/.156 CRIMP PEG/VOID OPTIONAL MOLEX INCORPORATED
			▽=0	3 PLACES	± ---	± .010	CHECKED BY	DATE	2000/08/30	
				2 PLACES	± 0.25	± .014	E. FOLAN	DATE	2000/08/30	
				1 PLACE	± 0.35	± ---	MWILHITE	DATE	2000/08/30	
					ANGULAR ± 2 °					
DRAFT WHERE APPLICABLE MUST REMAIN WITHIN DIMENSIONS				SEE CHART				DOCUMENT NO.		SHEET NO.
				SIZE A2				SD-3069-N***		1 OF 2
THIS DRAWING CONTAINS INFORMATION THAT IS PROPRIETARY TO MOLEX INCORPORATED AND SHOULD NOT BE USED WITHOUT WRITTEN PERMISSION										

No. OF CCTS.	ENG. No.	PART No.	LOCKING RAMP	No. OF CCTS.	ENG. No.	PART No.	LOCKING RAMP	No. OF CCTS.	ENG. No.	PART No.	LOCKING RAMP																																												
2	3069-A02	09-26-0200	YES	2	3069-02	09-91-0200	YES	18	3069-18	09-91-1800	YES																																												
	↑ -A022	↑ -27-0200	NO		↑ -022	↑ -92-0200	NO		↑ -182	↑ -92-1800	NO																																												
3	-A03	-26-0300	YES	3	-03	-91-0300	YES	19	-19	-91-1900	YES																																												
	-A032	-27-0300	NO		-032	-92-0300	NO		-192	-92-1900	NO																																												
4	-A04	-26-0400	YES	4	-04	-91-0400	YES	20	-20	-91-2000	YES																																												
	-A042	-27-0400	NO		-042	-92-0400	NO		3069-202	09-92-2000	NO																																												
5	-A05	-26-0500	YES	5	-05	-91-0500	YES	<table border="1"> <thead> <tr> <th>No. OF CCTS.</th> <th>ENG. No.</th> <th>PART No.</th> <th>LOCKING RAMP</th> <th>VOID LOC'N</th> </tr> </thead> <tbody> <tr> <td>4</td> <td>3069-04VC</td> <td>09-28-0403</td> <td>YES</td> <td>3</td> </tr> <tr> <td>4</td> <td>3069-042VB</td> <td>09-29-0402</td> <td>NO</td> <td>2</td> </tr> <tr> <td>5</td> <td>3069-052VB</td> <td>09-29-0502</td> <td>NO</td> <td>2</td> </tr> <tr> <td>6</td> <td>3069-062VB</td> <td>97-00-0860</td> <td>NO</td> <td>2</td> </tr> <tr> <td>7</td> <td>3069-B07</td> <td>97-00-2511</td> <td>YES</td> <td>NONE</td> </tr> <tr> <td>5</td> <td>3069-B05</td> <td>97-00-1009</td> <td>YES</td> <td>NONE</td> </tr> <tr> <td colspan="5" style="text-align: center;">NOTE: NON-STANDARD ITEMS</td> </tr> </tbody> </table>				No. OF CCTS.	ENG. No.	PART No.	LOCKING RAMP	VOID LOC'N	4	3069-04VC	09-28-0403	YES	3	4	3069-042VB	09-29-0402	NO	2	5	3069-052VB	09-29-0502	NO	2	6	3069-062VB	97-00-0860	NO	2	7	3069-B07	97-00-2511	YES	NONE	5	3069-B05	97-00-1009	YES	NONE	NOTE: NON-STANDARD ITEMS								
	No. OF CCTS.	ENG. No.	PART No.		LOCKING RAMP	VOID LOC'N																																																	
4	3069-04VC	09-28-0403	YES	3																																																			
4	3069-042VB	09-29-0402	NO	2																																																			
5	3069-052VB	09-29-0502	NO	2																																																			
6	3069-062VB	97-00-0860	NO	2																																																			
7	3069-B07	97-00-2511	YES	NONE																																																			
5	3069-B05	97-00-1009	YES	NONE																																																			
NOTE: NON-STANDARD ITEMS																																																							
-A052	-27-0500	NO	-052	-92-0500	NO																																																		
6	-A06	-26-0600	YES	6	-06	-91-0600	YES					<table border="1"> <thead> <tr> <th>No. OF CCTS.</th> <th>ENG. No.</th> <th>PART No.</th> <th>LOCKING RAMP</th> <th>VOID LOC'N</th> </tr> </thead> <tbody> <tr> <td>4</td> <td>3069-04VC</td> <td>09-28-0403</td> <td>YES</td> <td>3</td> </tr> <tr> <td>4</td> <td>3069-042VB</td> <td>09-29-0402</td> <td>NO</td> <td>2</td> </tr> <tr> <td>5</td> <td>3069-052VB</td> <td>09-29-0502</td> <td>NO</td> <td>2</td> </tr> <tr> <td>6</td> <td>3069-062VB</td> <td>97-00-0860</td> <td>NO</td> <td>2</td> </tr> <tr> <td>7</td> <td>3069-B07</td> <td>97-00-2511</td> <td>YES</td> <td>NONE</td> </tr> <tr> <td>5</td> <td>3069-B05</td> <td>97-00-1009</td> <td>YES</td> <td>NONE</td> </tr> <tr> <td colspan="5" style="text-align: center;">NOTE: NON-STANDARD ITEMS</td> </tr> </tbody> </table>				No. OF CCTS.	ENG. No.	PART No.	LOCKING RAMP	VOID LOC'N	4	3069-04VC	09-28-0403	YES	3	4	3069-042VB	09-29-0402	NO	2	5	3069-052VB	09-29-0502	NO	2	6	3069-062VB	97-00-0860	NO	2	7	3069-B07	97-00-2511	YES	NONE	5	3069-B05	97-00-1009	YES	NONE	NOTE: NON-STANDARD ITEMS				
	No. OF CCTS.	ENG. No.	PART No.		LOCKING RAMP	VOID LOC'N																																																	
4	3069-04VC	09-28-0403	YES	3																																																			
4	3069-042VB	09-29-0402	NO	2																																																			
5	3069-052VB	09-29-0502	NO	2																																																			
6	3069-062VB	97-00-0860	NO	2																																																			
7	3069-B07	97-00-2511	YES	NONE																																																			
5	3069-B05	97-00-1009	YES	NONE																																																			
NOTE: NON-STANDARD ITEMS																																																							
-A062	-27-0600	NO	-062	-92-0600	NO																																																		
7	-A07	-26-0700	YES	7	-07	-91-0700	YES	<table border="1"> <thead> <tr> <th>No. OF CCTS.</th> <th>ENG. No.</th> <th>PART No.</th> <th>LOCKING RAMP</th> <th>VOID LOC'N</th> </tr> </thead> <tbody> <tr> <td>4</td> <td>3069-04VC</td> <td>09-28-0403</td> <td>YES</td> <td>3</td> </tr> <tr> <td>4</td> <td>3069-042VB</td> <td>09-29-0402</td> <td>NO</td> <td>2</td> </tr> <tr> <td>5</td> <td>3069-052VB</td> <td>09-29-0502</td> <td>NO</td> <td>2</td> </tr> <tr> <td>6</td> <td>3069-062VB</td> <td>97-00-0860</td> <td>NO</td> <td>2</td> </tr> <tr> <td>7</td> <td>3069-B07</td> <td>97-00-2511</td> <td>YES</td> <td>NONE</td> </tr> <tr> <td>5</td> <td>3069-B05</td> <td>97-00-1009</td> <td>YES</td> <td>NONE</td> </tr> <tr> <td colspan="5" style="text-align: center;">NOTE: NON-STANDARD ITEMS</td> </tr> </tbody> </table>								No. OF CCTS.	ENG. No.	PART No.	LOCKING RAMP	VOID LOC'N	4	3069-04VC	09-28-0403	YES	3	4	3069-042VB	09-29-0402	NO	2	5	3069-052VB	09-29-0502	NO	2	6	3069-062VB	97-00-0860	NO	2	7	3069-B07	97-00-2511	YES	NONE	5	3069-B05	97-00-1009	YES	NONE	NOTE: NON-STANDARD ITEMS				
	No. OF CCTS.	ENG. No.	PART No.		LOCKING RAMP	VOID LOC'N																																																	
4	3069-04VC	09-28-0403	YES	3																																																			
4	3069-042VB	09-29-0402	NO	2																																																			
5	3069-052VB	09-29-0502	NO	2																																																			
6	3069-062VB	97-00-0860	NO	2																																																			
7	3069-B07	97-00-2511	YES	NONE																																																			
5	3069-B05	97-00-1009	YES	NONE																																																			
NOTE: NON-STANDARD ITEMS																																																							
-A072	-27-0700	NO	-072	-92-0700	NO																																																		
8	-A08	-26-0800	YES	8	-08	-91-0800	YES					<table border="1"> <thead> <tr> <th>No. OF CCTS.</th> <th>ENG. No.</th> <th>PART No.</th> <th>LOCKING RAMP</th> <th>VOID LOC'N</th> </tr> </thead> <tbody> <tr> <td>4</td> <td>3069-04VC</td> <td>09-28-0403</td> <td>YES</td> <td>3</td> </tr> <tr> <td>4</td> <td>3069-042VB</td> <td>09-29-0402</td> <td>NO</td> <td>2</td> </tr> <tr> <td>5</td> <td>3069-052VB</td> <td>09-29-0502</td> <td>NO</td> <td>2</td> </tr> <tr> <td>6</td> <td>3069-062VB</td> <td>97-00-0860</td> <td>NO</td> <td>2</td> </tr> <tr> <td>7</td> <td>3069-B07</td> <td>97-00-2511</td> <td>YES</td> <td>NONE</td> </tr> <tr> <td>5</td> <td>3069-B05</td> <td>97-00-1009</td> <td>YES</td> <td>NONE</td> </tr> <tr> <td colspan="5" style="text-align: center;">NOTE: NON-STANDARD ITEMS</td> </tr> </tbody> </table>				No. OF CCTS.	ENG. No.	PART No.	LOCKING RAMP	VOID LOC'N	4	3069-04VC	09-28-0403	YES	3	4	3069-042VB	09-29-0402	NO	2	5	3069-052VB	09-29-0502	NO	2	6	3069-062VB	97-00-0860	NO	2	7	3069-B07	97-00-2511	YES	NONE	5	3069-B05	97-00-1009	YES	NONE	NOTE: NON-STANDARD ITEMS				
	No. OF CCTS.	ENG. No.	PART No.		LOCKING RAMP	VOID LOC'N																																																	
4	3069-04VC	09-28-0403	YES	3																																																			
4	3069-042VB	09-29-0402	NO	2																																																			
5	3069-052VB	09-29-0502	NO	2																																																			
6	3069-062VB	97-00-0860	NO	2																																																			
7	3069-B07	97-00-2511	YES	NONE																																																			
5	3069-B05	97-00-1009	YES	NONE																																																			
NOTE: NON-STANDARD ITEMS																																																							
-A082	-27-0800	NO	-082	-92-0800	NO																																																		
9	-A09	-26-0900	YES	9	-09	-91-0900	YES	<table border="1"> <thead> <tr> <th>No. OF CCTS.</th> <th>ENG. No.</th> <th>PART No.</th> <th>LOCKING RAMP</th> <th>VOID LOC'N</th> </tr> </thead> <tbody> <tr> <td>4</td> <td>3069-04VC</td> <td>09-28-0403</td> <td>YES</td> <td>3</td> </tr> <tr> <td>4</td> <td>3069-042VB</td> <td>09-29-0402</td> <td>NO</td> <td>2</td> </tr> <tr> <td>5</td> <td>3069-052VB</td> <td>09-29-0502</td> <td>NO</td> <td>2</td> </tr> <tr> <td>6</td> <td>3069-062VB</td> <td>97-00-0860</td> <td>NO</td> <td>2</td> </tr> <tr> <td>7</td> <td>3069-B07</td> <td>97-00-2511</td> <td>YES</td> <td>NONE</td> </tr> <tr> <td>5</td> <td>3069-B05</td> <td>97-00-1009</td> <td>YES</td> <td>NONE</td> </tr> <tr> <td colspan="5" style="text-align: center;">NOTE: NON-STANDARD ITEMS</td> </tr> </tbody> </table>								No. OF CCTS.	ENG. No.	PART No.	LOCKING RAMP	VOID LOC'N	4	3069-04VC	09-28-0403	YES	3	4	3069-042VB	09-29-0402	NO	2	5	3069-052VB	09-29-0502	NO	2	6	3069-062VB	97-00-0860	NO	2	7	3069-B07	97-00-2511	YES	NONE	5	3069-B05	97-00-1009	YES	NONE	NOTE: NON-STANDARD ITEMS				
	No. OF CCTS.	ENG. No.	PART No.		LOCKING RAMP	VOID LOC'N																																																	
4	3069-04VC	09-28-0403	YES	3																																																			
4	3069-042VB	09-29-0402	NO	2																																																			
5	3069-052VB	09-29-0502	NO	2																																																			
6	3069-062VB	97-00-0860	NO	2																																																			
7	3069-B07	97-00-2511	YES	NONE																																																			
5	3069-B05	97-00-1009	YES	NONE																																																			
NOTE: NON-STANDARD ITEMS																																																							
-A092	-27-0900	NO	-092	-92-0900	NO																																																		
10	-A10	-26-1000	YES	10	-10	-91-1000	YES					<table border="1"> <thead> <tr> <th>No. OF CCTS.</th> <th>ENG. No.</th> <th>PART No.</th> <th>LOCKING RAMP</th> <th>VOID LOC'N</th> </tr> </thead> <tbody> <tr> <td>4</td> <td>3069-04VC</td> <td>09-28-0403</td> <td>YES</td> <td>3</td> </tr> <tr> <td>4</td> <td>3069-042VB</td> <td>09-29-0402</td> <td>NO</td> <td>2</td> </tr> <tr> <td>5</td> <td>3069-052VB</td> <td>09-29-0502</td> <td>NO</td> <td>2</td> </tr> <tr> <td>6</td> <td>3069-062VB</td> <td>97-00-0860</td> <td>NO</td> <td>2</td> </tr> <tr> <td>7</td> <td>3069-B07</td> <td>97-00-2511</td> <td>YES</td> <td>NONE</td> </tr> <tr> <td>5</td> <td>3069-B05</td> <td>97-00-1009</td> <td>YES</td> <td>NONE</td> </tr> <tr> <td colspan="5" style="text-align: center;">NOTE: NON-STANDARD ITEMS</td> </tr> </tbody> </table>				No. OF CCTS.	ENG. No.	PART No.	LOCKING RAMP	VOID LOC'N	4	3069-04VC	09-28-0403	YES	3	4	3069-042VB	09-29-0402	NO	2	5	3069-052VB	09-29-0502	NO	2	6	3069-062VB	97-00-0860	NO	2	7	3069-B07	97-00-2511	YES	NONE	5	3069-B05	97-00-1009	YES	NONE	NOTE: NON-STANDARD ITEMS				
	No. OF CCTS.	ENG. No.	PART No.		LOCKING RAMP	VOID LOC'N																																																	
4	3069-04VC	09-28-0403	YES	3																																																			
4	3069-042VB	09-29-0402	NO	2																																																			
5	3069-052VB	09-29-0502	NO	2																																																			
6	3069-062VB	97-00-0860	NO	2																																																			
7	3069-B07	97-00-2511	YES	NONE																																																			
5	3069-B05	97-00-1009	YES	NONE																																																			
NOTE: NON-STANDARD ITEMS																																																							
-A102	-27-1000	NO	-102	-92-1000	NO																																																		
11	-A11	-26-1100	YES	11	-11	-91-1100	YES	<table border="1"> <thead> <tr> <th>No. OF CCTS.</th> <th>ENG. No.</th> <th>PART No.</th> <th>LOCKING RAMP</th> <th>VOID LOC'N</th> </tr> </thead> <tbody> <tr> <td>4</td> <td>3069-04VC</td> <td>09-28-0403</td> <td>YES</td> <td>3</td> </tr> <tr> <td>4</td> <td>3069-042VB</td> <td>09-29-0402</td> <td>NO</td> <td>2</td> </tr> <tr> <td>5</td> <td>3069-052VB</td> <td>09-29-0502</td> <td>NO</td> <td>2</td> </tr> <tr> <td>6</td> <td>3069-062VB</td> <td>97-00-0860</td> <td>NO</td> <td>2</td> </tr> <tr> <td>7</td> <td>3069-B07</td> <td>97-00-2511</td> <td>YES</td> <td>NONE</td> </tr> <tr> <td>5</td> <td>3069-B05</td> <td>97-00-1009</td> <td>YES</td> <td>NONE</td> </tr> <tr> <td colspan="5" style="text-align: center;">NOTE: NON-STANDARD ITEMS</td> </tr> </tbody> </table>								No. OF CCTS.	ENG. No.	PART No.	LOCKING RAMP	VOID LOC'N	4	3069-04VC	09-28-0403	YES	3	4	3069-042VB	09-29-0402	NO	2	5	3069-052VB	09-29-0502	NO	2	6	3069-062VB	97-00-0860	NO	2	7	3069-B07	97-00-2511	YES	NONE	5	3069-B05	97-00-1009	YES	NONE	NOTE: NON-STANDARD ITEMS				
	No. OF CCTS.	ENG. No.	PART No.		LOCKING RAMP	VOID LOC'N																																																	
4	3069-04VC	09-28-0403	YES	3																																																			
4	3069-042VB	09-29-0402	NO	2																																																			
5	3069-052VB	09-29-0502	NO	2																																																			
6	3069-062VB	97-00-0860	NO	2																																																			
7	3069-B07	97-00-2511	YES	NONE																																																			
5	3069-B05	97-00-1009	YES	NONE																																																			
NOTE: NON-STANDARD ITEMS																																																							
-A112	-27-1100	NO	-112	-92-1100	NO																																																		
12	-A12	-26-1200	YES	12	-12	-91-1200	YES					<table border="1"> <thead> <tr> <th>No. OF CCTS.</th> <th>ENG. No.</th> <th>PART No.</th> <th>LOCKING RAMP</th> <th>VOID LOC'N</th> </tr> </thead> <tbody> <tr> <td>4</td> <td>3069-04VC</td> <td>09-28-0403</td> <td>YES</td> <td>3</td> </tr> <tr> <td>4</td> <td>3069-042VB</td> <td>09-29-0402</td> <td>NO</td> <td>2</td> </tr> <tr> <td>5</td> <td>3069-052VB</td> <td>09-29-0502</td> <td>NO</td> <td>2</td> </tr> <tr> <td>6</td> <td>3069-062VB</td> <td>97-00-0860</td> <td>NO</td> <td>2</td> </tr> <tr> <td>7</td> <td>3069-B07</td> <td>97-00-2511</td> <td>YES</td> <td>NONE</td> </tr> <tr> <td>5</td> <td>3069-B05</td> <td>97-00-1009</td> <td>YES</td> <td>NONE</td> </tr> <tr> <td colspan="5" style="text-align: center;">NOTE: NON-STANDARD ITEMS</td> </tr> </tbody> </table>				No. OF CCTS.	ENG. No.	PART No.	LOCKING RAMP	VOID LOC'N	4	3069-04VC	09-28-0403	YES	3	4	3069-042VB	09-29-0402	NO	2	5	3069-052VB	09-29-0502	NO	2	6	3069-062VB	97-00-0860	NO	2	7	3069-B07	97-00-2511	YES	NONE	5	3069-B05	97-00-1009	YES	NONE	NOTE: NON-STANDARD ITEMS				
	No. OF CCTS.	ENG. No.	PART No.		LOCKING RAMP	VOID LOC'N																																																	
4	3069-04VC	09-28-0403	YES	3																																																			
4	3069-042VB	09-29-0402	NO	2																																																			
5	3069-052VB	09-29-0502	NO	2																																																			
6	3069-062VB	97-00-0860	NO	2																																																			
7	3069-B07	97-00-2511	YES	NONE																																																			
5	3069-B05	97-00-1009	YES	NONE																																																			
NOTE: NON-STANDARD ITEMS																																																							
-A122	-27-1200	NO	-122	-92-1200	NO																																																		
13	-A13	-26-1300	YES	13	-13	-91-1300	YES	<table border="1"> <thead> <tr> <th>No. OF CCTS.</th> <th>ENG. No.</th> <th>PART No.</th> <th>LOCKING RAMP</th> <th>VOID LOC'N</th> </tr> </thead> <tbody> <tr> <td>4</td> <td>3069-04VC</td> <td>09-28-0403</td> <td>YES</td> <td>3</td> </tr> <tr> <td>4</td> <td>3069-042VB</td> <td>09-29-0402</td> <td>NO</td> <td>2</td> </tr> <tr> <td>5</td> <td>3069-052VB</td> <td>09-29-0502</td> <td>NO</td> <td>2</td> </tr> <tr> <td>6</td> <td>3069-062VB</td> <td>97-00-0860</td> <td>NO</td> <td>2</td> </tr> <tr> <td>7</td> <td>3069-B07</td> <td>97-00-2511</td> <td>YES</td> <td>NONE</td> </tr> <tr> <td>5</td> <td>3069-B05</td> <td>97-00-1009</td> <td>YES</td> <td>NONE</td> </tr> <tr> <td colspan="5" style="text-align: center;">NOTE: NON-STANDARD ITEMS</td> </tr> </tbody> </table>								No. OF CCTS.	ENG. No.	PART No.	LOCKING RAMP	VOID LOC'N	4	3069-04VC	09-28-0403	YES	3	4	3069-042VB	09-29-0402	NO	2	5	3069-052VB	09-29-0502	NO	2	6	3069-062VB	97-00-0860	NO	2	7	3069-B07	97-00-2511	YES	NONE	5	3069-B05	97-00-1009	YES	NONE	NOTE: NON-STANDARD ITEMS				
	No. OF CCTS.	ENG. No.	PART No.		LOCKING RAMP	VOID LOC'N																																																	
4	3069-04VC	09-28-0403	YES	3																																																			
4	3069-042VB	09-29-0402	NO	2																																																			
5	3069-052VB	09-29-0502	NO	2																																																			
6	3069-062VB	97-00-0860	NO	2																																																			
7	3069-B07	97-00-2511	YES	NONE																																																			
5	3069-B05	97-00-1009	YES	NONE																																																			
NOTE: NON-STANDARD ITEMS																																																							
-A132	-27-1300	NO	-132	-92-1300	NO																																																		
14	-A14	-26-1400	YES	14	-14	-91-1400	YES					<table border="1"> <thead> <tr> <th>No. OF CCTS.</th> <th>ENG. No.</th> <th>PART No.</th> <th>LOCKING RAMP</th> <th>VOID LOC'N</th> </tr> </thead> <tbody> <tr> <td>4</td> <td>3069-04VC</td> <td>09-28-0403</td> <td>YES</td> <td>3</td> </tr> <tr> <td>4</td> <td>3069-042VB</td> <td>09-29-0402</td> <td>NO</td> <td>2</td> </tr> <tr> <td>5</td> <td>3069-052VB</td> <td>09-29-0502</td> <td>NO</td> <td>2</td> </tr> <tr> <td>6</td> <td>3069-062VB</td> <td>97-00-0860</td> <td>NO</td> <td>2</td> </tr> <tr> <td>7</td> <td>3069-B07</td> <td>97-00-2511</td> <td>YES</td> <td>NONE</td> </tr> <tr> <td>5</td> <td>3069-B05</td> <td>97-00-1009</td> <td>YES</td> <td>NONE</td> </tr> <tr> <td colspan="5" style="text-align: center;">NOTE: NON-STANDARD ITEMS</td> </tr> </tbody> </table>				No. OF CCTS.	ENG. No.	PART No.	LOCKING RAMP	VOID LOC'N	4	3069-04VC	09-28-0403	YES	3	4	3069-042VB	09-29-0402	NO	2	5	3069-052VB	09-29-0502	NO	2	6	3069-062VB	97-00-0860	NO	2	7	3069-B07	97-00-2511	YES	NONE	5	3069-B05	97-00-1009	YES	NONE	NOTE: NON-STANDARD ITEMS				
	No. OF CCTS.	ENG. No.	PART No.		LOCKING RAMP	VOID LOC'N																																																	
4	3069-04VC	09-28-0403	YES	3																																																			
4	3069-042VB	09-29-0402	NO	2																																																			
5	3069-052VB	09-29-0502	NO	2																																																			
6	3069-062VB	97-00-0860	NO	2																																																			
7	3069-B07	97-00-2511	YES	NONE																																																			
5	3069-B05	97-00-1009	YES	NONE																																																			
NOTE: NON-STANDARD ITEMS																																																							
-A142	-27-1400	NO	-142	-92-1400	NO																																																		
15	-A15	-26-1500	YES	15	-15	-91-1500	YES	<table border="1"> <thead> <tr> <th>No. OF CCTS.</th> <th>ENG. No.</th> <th>PART No.</th> <th>LOCKING RAMP</th> <th>VOID LOC'N</th> </tr> </thead> <tbody> <tr> <td>4</td> <td>3069-04VC</td> <td>09-28-0403</td> <td>YES</td> <td>3</td> </tr> <tr> <td>4</td> <td>3069-042VB</td> <td>09-29-0402</td> <td>NO</td> <td>2</td> </tr> <tr> <td>5</td> <td>3069-052VB</td> <td>09-29-0502</td> <td>NO</td> <td>2</td> </tr> <tr> <td>6</td> <td>3069-062VB</td> <td>97-00-0860</td> <td>NO</td> <td>2</td> </tr> <tr> <td>7</td> <td>3069-B07</td> <td>97-00-2511</td> <td>YES</td> <td>NONE</td> </tr> <tr> <td>5</td> <td>3069-B05</td> <td>97-00-1009</td> <td>YES</td> <td>NONE</td> </tr> <tr> <td colspan="5" style="text-align: center;">NOTE: NON-STANDARD ITEMS</td> </tr> </tbody> </table>								No. OF CCTS.	ENG. No.	PART No.	LOCKING RAMP	VOID LOC'N	4	3069-04VC	09-28-0403	YES	3	4	3069-042VB	09-29-0402	NO	2	5	3069-052VB	09-29-0502	NO	2	6	3069-062VB	97-00-0860	NO	2	7	3069-B07	97-00-2511	YES	NONE	5	3069-B05	97-00-1009	YES	NONE	NOTE: NON-STANDARD ITEMS				
	No. OF CCTS.	ENG. No.	PART No.		LOCKING RAMP	VOID LOC'N																																																	
4	3069-04VC	09-28-0403	YES	3																																																			
4	3069-042VB	09-29-0402	NO	2																																																			
5	3069-052VB	09-29-0502	NO	2																																																			
6	3069-062VB	97-00-0860	NO	2																																																			
7	3069-B07	97-00-2511	YES	NONE																																																			
5	3069-B05	97-00-1009	YES	NONE																																																			
NOTE: NON-STANDARD ITEMS																																																							
-A152	-27-1500	NO	-152	-92-1500	NO																																																		
16	-A16	-26-1600	YES	16	-16	-91-1600	YES					<table border="1"> <thead> <tr> <th>No. OF CCTS.</th> <th>ENG. No.</th> <th>PART No.</th> <th>LOCKING RAMP</th> <th>VOID LOC'N</th> </tr> </thead> <tbody> <tr> <td>4</td> <td>3069-04VC</td> <td>09-28-0403</td> <td>YES</td> <td>3</td> </tr> <tr> <td>4</td> <td>3069-042VB</td> <td>09-29-0402</td> <td>NO</td> <td>2</td> </tr> <tr> <td>5</td> <td>3069-052VB</td> <td>09-29-0502</td> <td>NO</td> <td>2</td> </tr> <tr> <td>6</td> <td>3069-062VB</td> <td>97-00-0860</td> <td>NO</td> <td>2</td> </tr> <tr> <td>7</td> <td>3069-B07</td> <td>97-00-2511</td> <td>YES</td> <td>NONE</td> </tr> <tr> <td>5</td> <td>3069-B05</td> <td>97-00-1009</td> <td>YES</td> <td>NONE</td> </tr> <tr> <td colspan="5" style="text-align: center;">NOTE: NON-STANDARD ITEMS</td> </tr> </tbody> </table>				No. OF CCTS.	ENG. No.	PART No.	LOCKING RAMP	VOID LOC'N	4	3069-04VC	09-28-0403	YES	3	4	3069-042VB	09-29-0402	NO	2	5	3069-052VB	09-29-0502	NO	2	6	3069-062VB	97-00-0860	NO	2	7	3069-B07	97-00-2511	YES	NONE	5	3069-B05	97-00-1009	YES	NONE	NOTE: NON-STANDARD ITEMS				
	No. OF CCTS.	ENG. No.	PART No.		LOCKING RAMP	VOID LOC'N																																																	
4	3069-04VC	09-28-0403	YES	3																																																			
4	3069-042VB	09-29-0402	NO	2																																																			
5	3069-052VB	09-29-0502	NO	2																																																			
6	3069-062VB	97-00-0860	NO	2																																																			
7	3069-B07	97-00-2511	YES	NONE																																																			
5	3069-B05	97-00-1009	YES	NONE																																																			
NOTE: NON-STANDARD ITEMS																																																							
-A162	-27-1600	NO	-162	-92-1600	NO																																																		
17	-A17	-26-1700	YES	17	-17	-91-1700	YES	<table border="1"> <thead> <tr> <th>No. OF CCTS.</th> <th>ENG. No.</th> <th>PART No.</th> <th>LOCKING RAMP</th> <th>VOID LOC'N</th> </tr> </thead> <tbody> <tr> <td>4</td> <td>3069-04VC</td> <td>09-28-0403</td> <td>YES</td> <td>3</td> </tr> <tr> <td>4</td> <td>3069-042VB</td> <td>09-29-0402</td> <td>NO</td> <td>2</td> </tr> <tr> <td>5</td> <td>3069-052VB</td> <td>09-29-0502</td> <td>NO</td> <td>2</td> </tr> <tr> <td>6</td> <td>3069-062VB</td> <td>97-00-0860</td> <td>NO</td> <td>2</td> </tr> <tr> <td>7</td> <td>3069-B07</td> <td>97-00-2511</td> <td>YES</td> <td>NONE</td> </tr> <tr> <td>5</td> <td>3069-B05</td> <td>97-00-1009</td> <td>YES</td> <td>NONE</td> </tr> <tr> <td colspan="5" style="text-align: center;">NOTE: NON-STANDARD ITEMS</td> </tr> </tbody> </table>								No. OF CCTS.	ENG. No.	PART No.	LOCKING RAMP	VOID LOC'N	4	3069-04VC	09-28-0403	YES	3	4	3069-042VB	09-29-0402	NO	2	5	3069-052VB	09-29-0502	NO	2	6	3069-062VB	97-00-0860	NO	2	7	3069-B07	97-00-2511	YES	NONE	5	3069-B05	97-00-1009	YES	NONE	NOTE: NON-STANDARD ITEMS				
	No. OF CCTS.	ENG. No.	PART No.		LOCKING RAMP	VOID LOC'N																																																	
4	3069-04VC	09-28-0403	YES	3																																																			
4	3069-042VB	09-29-0402	NO	2																																																			
5	3069-052VB	09-29-0502	NO	2																																																			
6	3069-062VB	97-00-0860	NO	2																																																			
7	3069-B07	97-00-2511	YES	NONE																																																			
5	3069-B05	97-00-1009	YES	NONE																																																			
NOTE: NON-STANDARD ITEMS																																																							
-A172	-27-1700	NO	-172	-92-1700	NO																																																		
18	-A18	-26-1800	YES	18	3069-172	09-92-1700	NO					<table border="1"> <thead> <tr> <th>No. OF CCTS.</th> <th>ENG. No.</th> <th>PART No.</th> <th>LOCKING RAMP</th> <th>VOID LOC'N</th> </tr> </thead> <tbody> <tr> <td>4</td> <td>3069-04VC</td> <td>09-28-0403</td> <td>YES</td> <td>3</td> </tr> <tr> <td>4</td> <td>3069-042VB</td> <td>09-29-0402</td> <td>NO</td> <td>2</td> </tr> <tr> <td>5</td> <td>3069-052VB</td> <td>09-29-0502</td> <td>NO</td> <td>2</td> </tr> <tr> <td>6</td> <td>3069-062VB</td> <td>97-00-0860</td> <td>NO</td> <td>2</td> </tr> <tr> <td>7</td> <td>3069-B07</td> <td>97-00-2511</td> <td>YES</td> <td>NONE</td> </tr> <tr> <td>5</td> <td>3069-B05</td> <td>97-00-1009</td> <td>YES</td> <td>NONE</td> </tr> <tr> <td colspan="5" style="text-align: center;">NOTE: NON-STANDARD ITEMS</td> </tr> </tbody> </table>				No. OF CCTS.	ENG. No.	PART No.	LOCKING RAMP	VOID LOC'N	4	3069-04VC	09-28-0403	YES	3	4	3069-042VB	09-29-0402	NO	2	5	3069-052VB	09-29-0502	NO	2	6	3069-062VB	97-00-0860	NO	2	7	3069-B07	97-00-2511	YES	NONE	5	3069-B05	97-00-1009	YES	NONE	NOTE: NON-STANDARD ITEMS				
	No. OF CCTS.	ENG. No.	PART No.		LOCKING RAMP	VOID LOC'N																																																	
4	3069-04VC	09-28-0403	YES	3																																																			
4	3069-042VB	09-29-0402	NO	2																																																			
5	3069-052VB	09-29-0502	NO	2																																																			
6	3069-062VB	97-00-0860	NO	2																																																			
7	3069-B07	97-00-2511	YES	NONE																																																			
5	3069-B05	97-00-1009	YES	NONE																																																			
NOTE: NON-STANDARD ITEMS																																																							
-A182	-27-1800	NO	-182	-92-1800	NO																																																		
19	-A19	-26-1900	YES	19	-19	-91-1900	YES	<table border="1"> <thead> <tr> <th>No. OF CCTS.</th> <th>ENG. No.</th> <th>PART No.</th> <th>LOCKING RAMP</th> <th>VOID LOC'N</th> </tr> </thead> <tbody> <tr> <td>4</td> <td>3069-04VC</td> <td>09-28-0403</td> <td>YES</td> <td>3</td> </tr> <tr> <td>4</td> <td>3069-042VB</td> <td>09-29-0402</td> <td>NO</td> <td>2</td> </tr> <tr> <td>5</td> <td>3069-052VB</td> <td>09-29-0502</td> <td>NO</td> <td>2</td> </tr> <tr> <td>6</td> <td>3069-062VB</td> <td>97-00-0860</td> <td>NO</td> <td>2</td> </tr> <tr> <td>7</td> <td>3069-B07</td> <td>97-00-2511</td> <td>YES</td> <td>NONE</td> </tr> <tr> <td>5</td> <td>3069-B05</td> <td>97-00-1009</td> <td>YES</td> <td>NONE</td> </tr> <tr> <td colspan="5" style="text-align: center;">NOTE: NON-STANDARD ITEMS</td> </tr> </tbody> </table>								No. OF CCTS.	ENG. No.	PART No.	LOCKING RAMP	VOID LOC'N	4	3069-04VC	09-28-0403	YES	3	4	3069-042VB	09-29-0402	NO	2	5	3069-052VB	09-29-0502	NO	2	6	3069-062VB	97-00-0860	NO	2	7	3069-B07	97-00-2511	YES	NONE	5	3069-B05	97-00-1009	YES	NONE	NOTE: NON-STANDARD ITEMS				
	No. OF CCTS.	ENG. No.	PART No.		LOCKING RAMP	VOID LOC'N																																																	
4	3069-04VC	09-28-0403	YES	3																																																			
4	3069-042VB	09-29-0402	NO	2																																																			
5	3069-052VB	09-29-0502	NO	2																																																			
6	3069-062VB	97-00-0860	NO	2																																																			
7	3069-B07	97-00-2511	YES	NONE																																																			
5	3069-B05	97-00-1009	YES	NONE																																																			
NOTE: NON-STANDARD ITEMS																																																							
-A192	-27-1900	NO	-192	-92-1900	NO																																																		
20	-A20	-26-2000	YES	20	3069-A202	09-27-2000	NO					<table border="1"> <thead> <tr> <th>No. OF CCTS.</th> <th>ENG. No.</th> <th>PART No.</th> <th>LOCKING RAMP</th> <th>VOID LOC'N</th> </tr> </thead> <tbody> <tr> <td>4</td> <td>3069-04VC</td> <td>09-28-0403</td> <td>YES</td> <td>3</td> </tr> <tr> <td>4</td> <td>3069-042VB</td> <td>09-29-0402</td> <td>NO</td> <td>2</td> </tr> <tr> <td>5</td> <td>3069-052VB</td> <td>09-29-0502</td> <td>NO</td> <td>2</td> </tr> <tr> <td>6</td> <td>3069-062VB</td> <td>97-00-0860</td> <td>NO</td> <td>2</td> </tr> <tr> <td>7</td> <td>3069-B07</td> <td>97-00-2511</td> <td>YES</td> <td>NONE</td> </tr> <tr> <td>5</td> <td>3069-B05</td> <td>97-00-1009</td> <td>YES</td> <td>NONE</td> </tr> <tr> <td colspan="5" style="text-align: center;">NOTE: NON-STANDARD ITEMS</td> </tr> </tbody> </table>				No. OF CCTS.	ENG. No.	PART No.	LOCKING RAMP	VOID LOC'N	4	3069-04VC	09-28-0403	YES	3	4	3069-042VB	09-29-0402	NO	2	5	3069-052VB	09-29-0502	NO	2	6	3069-062VB	97-00-0860	NO	2	7	3069-B07	97-00-2511	YES	NONE	5	3069-B05	97-00-1009	YES	NONE	NOTE: NON-STANDARD ITEMS				
	No. OF CCTS.	ENG. No.	PART No.		LOCKING RAMP	VOID LOC'N																																																	
4	3069-04VC	09-28-0403	YES	3																																																			
4	3069-042VB	09-29-0402	NO	2																																																			
5	3069-052VB	09-29-0502	NO	2																																																			
6	3069-062VB	97-00-0860	NO	2																																																			
7	3069-B07	97-00-2511	YES	NONE																																																			
5	3069-B05	97-00-1009	YES	NONE																																																			
NOTE: NON-STANDARD ITEMS																																																							
3069-A202	09-27-2000	NO	3069-172	09-92-1700	NO																																																		

No. OF CCTS.	ENG. No.	PART No.	LOCKING RAMP	VOID LOC'N
4	3069-04VC	09-28-0403	YES	3
4	3069-042VB	09-29-0402	NO	2
5	3069-052VB	09-29-0502	NO	2
6	3069-062VB	97-00-0860	NO	2
7	3069-B07	97-00-2511	YES	NONE
5	3069-B05	97-00-1009	YES	NONE

NOTE: NON-STANDARD ITEMS

OBSOLETE 21-24 CKT EC NO: E2005-0115 DRAWN: GMSMEEN 2004/08/23 CHKD: DMORLART 2004/08/24 APPR: JDENEHY 2004/08/25	QUALITY SYMBOLS ▽=0 ▽=0	GENERAL TOLERANCES (UNLESS SPECIFIED) <table border="1"> <thead> <tr> <th></th> <th>mm</th> <th>INCH</th> </tr> </thead> <tbody> <tr> <td>4 PLACES</td> <td>± ---</td> <td>± ---</td> </tr> <tr> <td>3 PLACES</td> <td>± ---</td> <td>± ---</td> </tr> <tr> <td>2 PLACES</td> <td>± ---</td> <td>± ---</td> </tr> <tr> <td>1 PLACE</td> <td>± ---</td> <td>± ---</td> </tr> </tbody> </table> ANGULAR ± 2 °		mm	INCH	4 PLACES	± ---	± ---	3 PLACES	± ---	± ---	2 PLACES	± ---	± ---	1 PLACE	± ---	± ---	DIMENSION STYLE MM/IN	SCALE ---	DESIGN UNITS METRIC	THIRD ANGLE PROJECTION
		mm	INCH																		
	4 PLACES	± ---	± ---																		
	3 PLACES	± ---	± ---																		
2 PLACES	± ---	± ---																			
1 PLACE	± ---	± ---																			
DRAWN BY SM	DATE 1990/04/09	TITLE HOUSING, KK CONNECTOR (3.96)/.156, CRIMP PEG/VOID OPTIONAL.																			
CHECKED BY DMORLART	DATE 2004/08/11	MOLEX INCORPORATED																			
APPROVED BY JDENEHY	DATE 2004/08/13	DOCUMENT NO. SD-3069-N***	SHEET NO. 2 OF 2																		

DRAFT WHERE APPLICABLE MUST REMAIN WITHIN DIMENSIONS

SEE CHART

THIS DRAWING CONTAINS INFORMATION THAT IS PROPRIETARY TO MOLEX INCORPORATED AND SHOULD NOT BE USED WITHOUT WRITTEN PERMISSION