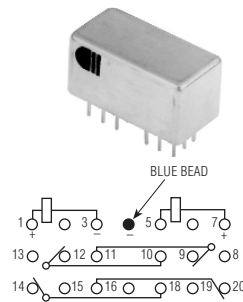


# LR • LS

## LR

### MAGNETIC LATCHING FOUR POLE HALF SIZE HIGH-PERFORMANCE RELAY

DESIGNED TO MIL-R-39016



TERMINAL VIEW

**STANDARD SCHEMATIC** Contacts will switch from the indicated position when either coil is energized with polarity as shown.

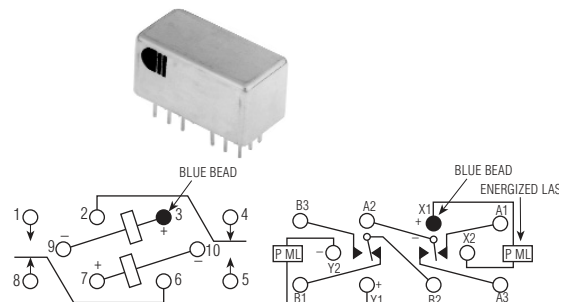
**FEATURES**

- Hermetically sealed
- Up to 2 amps switching
- High shock & vibration ratings
- Optional terminals & mounting styles
- 4 form C hi-density latching design

## LS

### MAGNETIC LATCHING HALF SIZE HIGH-PERFORMANCE RELAY

DESIGNED TO MIL-R-39016/45



TERMINAL VIEW

**STANDARD SCHEMATIC** Contacts will switch from the indicated position when either coil is energized with polarity as shown.

**FEATURES**

- Hermetically sealed
- Up to 2 amps switching
- High shock & vibration ratings
- Optional terminals & mounting styles
- Latching design

**MIL-R-39016/45 SCHEMATIC** Contacts will switch from the indicated position when either coil is energized with polarity as shown.

**ELECTRICAL CHARACTERISTICS**

**CONTACT ARRANGEMENT**

LS: 2 Form C (DPDT)  
LR: 4 Form C (4PDT)

**CONTACT MATERIAL**

Stationary:  
Gold plated hardened silver alloy  
Moveable:  
Gold plated hardened silver alloy

**CONTACT RESISTANCE**

Before Life: 50 milliohms max.  
(measured at 10 mA @ 6 Vdc)

After Life: 100 milliohms max.  
(measured @ 2 A @ 28 Vdc)

**MECHANICAL LIFE EXPECTANCY**

1 million operations min.

**COIL VOLTAGE**

5 to 48 Vdc

**COIL POWER**

1.0 watts max.

**DUTY CYCLE**

Continuous

**PICK-UP VOLTAGE**

Approximately 50% of nominal coil voltage

**PICK-UP SENSITIVITY**

170 mW

**CONTACT RATINGS**

CONTACT LOAD	TYPE	OPERATIONS MIN.
2 A @ 28 Vdc	Resistive	100,000
0.3 A @ 115 Vac, 60 Hz & 400 Hz	Resistive	100,000
0.75 A @ 28 Vdc	Inductive (200mH)	100,000
0.1 A @ 28 Vdc	Intermediate	50,000
0.160 A @ 28 Vdc	Lamp	100,000
30 $\mu$ A @ 50 mVdc	Low Level	1,000,000

**RF PERFORMANCE (LS ONLY)**

FREQUENCY (MHz)	RF LOSSES (dB)	VSWR	ISOLATION (dB)
100	0.1	1.15:1	38
500	0.3	1.19:1	31
1000	0.6	1.32:1	45

# LR-LS

## OPERATING CHARACTERISTICS

### TIMING

Set-Reset Time:  
5.0 ms max.

### CONTACT BOUNCE

2.0 ms max. (LS)  
5.0 ms max. (LR)

### DIELECTRIC WITHSTANDING VOLTAGE

Between Open Contacts:

500 Vrms 60 Hz (LS)  
350 Vrms 60 Hz (LR)

Between Adjacent Contacts:

1000 Vrms 60 Hz (LS)  
500 Vrms 60 Hz (LR)

Between Contacts and Coil:

1000 Vrms 60 Hz (LS)  
500 Vrms 60 Hz (LR)

### INSULATION RESISTANCE

10,000 megohms min. @ 500 Vdc

## ENVIRONMENTAL CHARACTERISTICS

### TEMPERATURE RANGE

-65°C to +125°C

### WEIGHT

.46 oz (13 gms) max.

### VIBRATION RESISTANCE

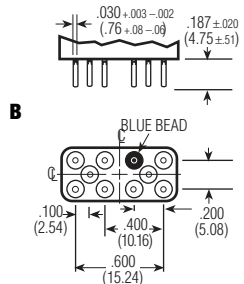
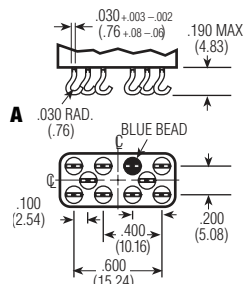
Standard: 20 G's, 10 to 2,000 Hz  
QPL Equiv: 30 G's, 10 to 2,500 Hz

### SHOCK RESISTANCE

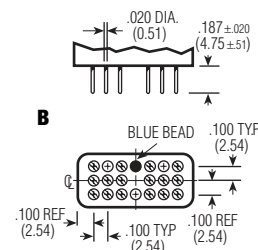
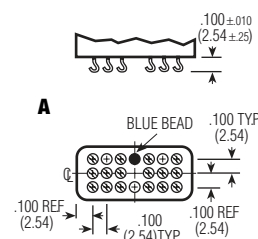
100 G's, 6 ± 1 ms

### QPL EQUIVALENT

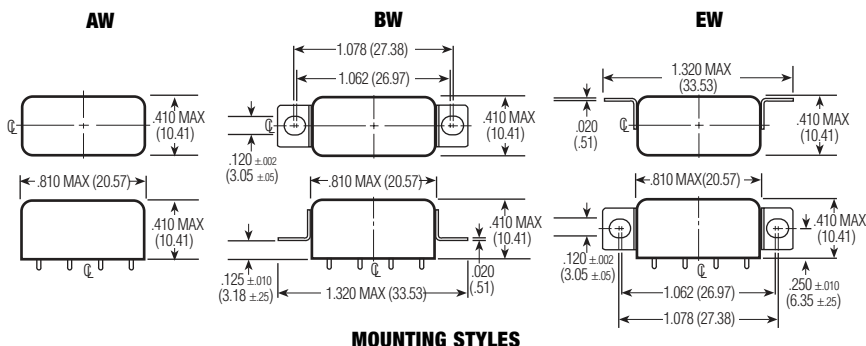
MIL-R-39016/45 (LS)  
MIL-R-39016 (LR)



LS TERMINALS



LR TERMINALS



MOUNTING STYLES

## STANDARD COIL DATA

NOM. COIL VOLTAGE (Vdc)	COIL RESISTANCE IN OHMS ±10% @ 25°C	PICKUP VOLTAGE Vdc (MAX.) @ 25°C	PICKUP VOLTAGE Vdc (MAX.) @ 125°C	PICKUP VOLTAGE Vdc (MIN.) @ 25°C	PICKUP VOLTAGE Vdc (MIN.) @ -65°C	NOM. COIL POWER (mW) @ 25°C	MAX. COIL VOLTAGE	COIL DESIG.
5.0	45	2.7	3.8	1.6	1.0	556	6.7	5
6.0	63	3.25	4.5	2.0	1.3	571	8.0	6
12.0	254	6.5	9.0	4.0	2.6	567	16.0	12
26.5	1,000	13.0	18.0	8.0	5.2	702	32.0	24
48.0	3,800	26.0	36.0	16.0	10.4	606	64.0	48

SPECIFYING A PART NUMBER EXAMPLE:

TYPE	MOUNTINGS	CONTACTS	COILS	TERMINALS
LR	BW-	4C-	24	B
LS	BW-	2C-	24	B