



86P CLAMP

Reduce weight and installation time all while meeting or exceeding Mil-Spec & RTCA DO-160G requirements.



Light-weight Mil-Spec PEEK polymer



Non-conductive, for higher reliability



Non-corrosive for a worry free service life



Quick, tool-less wire installation

86P CLAMP



Overview

Engineered for lean manufacturing, the 86P Clamp was developed as a one-for-one replacement to outperform industry standard metal clamps (i.e. AS21919). Featuring key value-add design elements, including: separate locking and mounting locations, a bottom hinge for easy wire bundle installation, and a non-conductive, non-corrosive, PEEK polymer construction, the 86P Clamp is a versatile solution for anyone looking to reduce weight and installation time.

Lightweight

Reduce weight & installation time all while meeting or exceeding Mil-Spec & RTCA DO-160G requirements. Avg. 41% lighter vs AS21919 Stainless Steel and 8% lighter vs AS21919 Aluminum.

Non-Conductive & Non-Corrosive

Enjoy peace of mind throughout the service life knowing the 86P Clamp won't corrode or cause a short in your wire bundle.

Ergonomic Design

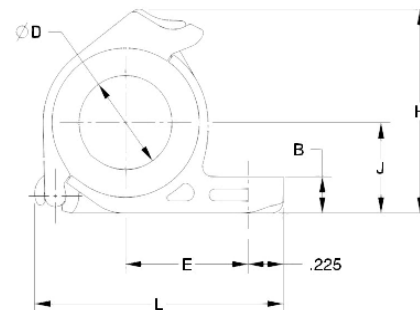
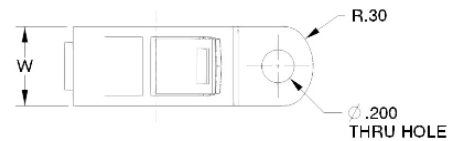
Reduce the risk of injury, frustration, and foreign objects and debris (F.O.D) present when fighting metal clamps and dropping screws during install. The 86P Clamp makes installation quick, easy, and repeatable for more efficient installations.

Installation and Re-work Time Savings

Pre-mountable design with tool-less opening & closure.

Overmolded Silicone Cushion

Increased shock & vibe performance. Also allows for more wire bundles ranges resulting in less part numbers compared to AS21929.

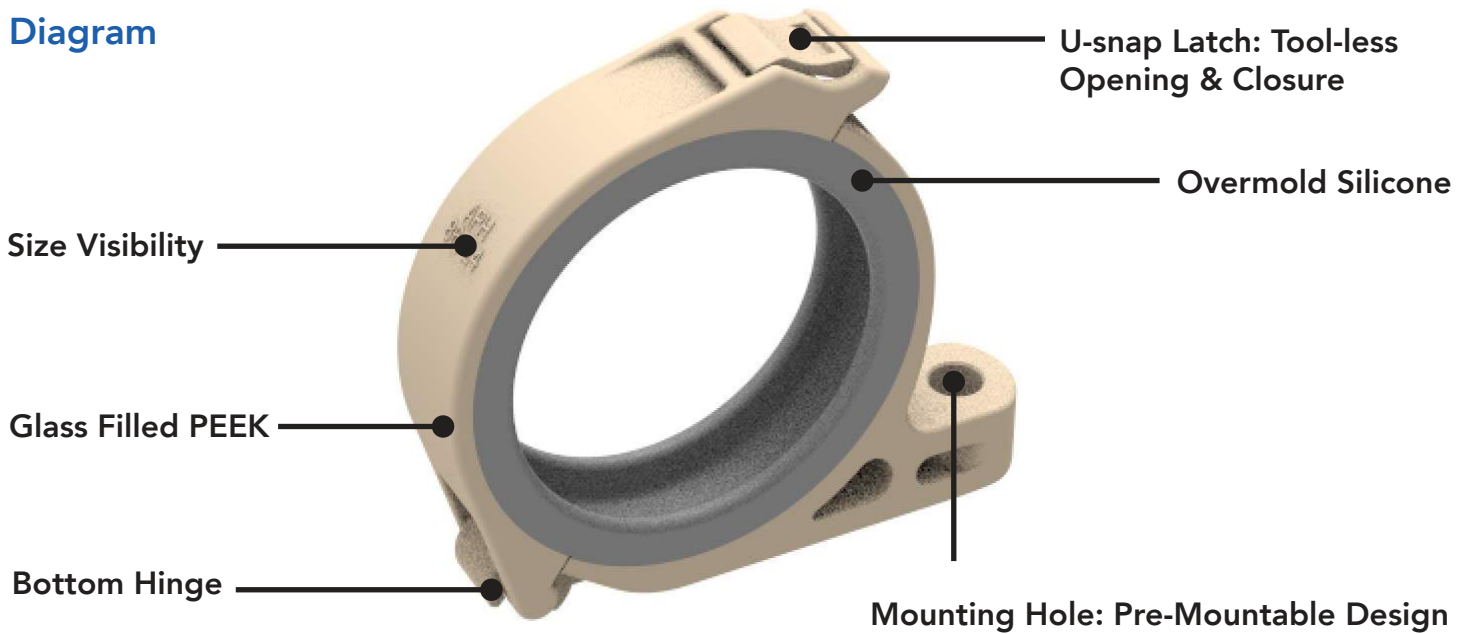


Part Number	Wire Bundle \varnothing (in)	$\varnothing D$ (in)	B (in)	E (in)	H (in)	J (in)	W (in)
APCL86P02	.125 - .188	0.094	0.130	0.498	0.671	1.059	0.450
APCL86P03	.188 - .250	0.156					
APCL86P04	.250 - .313	0.219					
APCL86P05	.313 - .375	0.281	0.150	0.560	0.809	1.134	
APCL86P06	.375 - .438	0.344					
APCL86P07	.438 - .500	0.406					
APCL86P08	.500 - .563	0.469	0.190	0.654	0.990	1.322	
APCL86P09	.563 - .625	0.531					
APCL86P10	.625 - .750	0.594					
APCL86P12	.750 - .875	0.719	0.230	0.783	1.271	1.589	
APCL86P14	.875 - 1.000	0.844					
APCL86P16	1.000 - 1.125	0.969					
APCL86P18	1.125 - 1.250	1.094	0.260	1.062	1.783	2.084	
APCL86P20	1.250 - 1.375	1.219					
APCL86P22	1.375 - 1.500	1.344					
APCL86P24	1.500 - 1.625	1.469	0.330	1.124	1.898	2.209	
			0.370	1.187	2.019	2.334	
				1.249	2.134	2.459	0.500

86P CLAMP



Diagram



Weight Savings

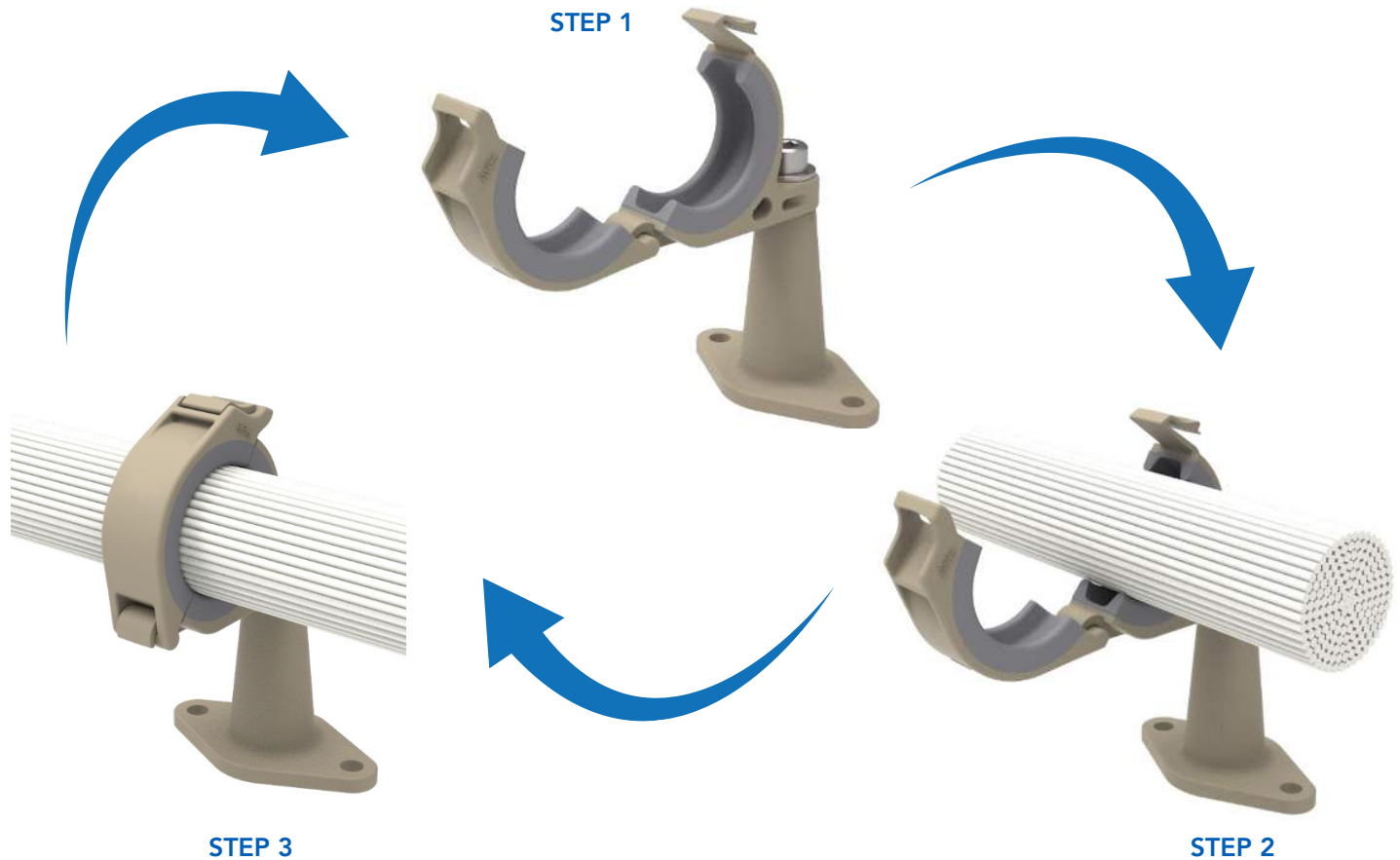
AS21919 Size Comparison	Part Number	APCL86P CLAMP		
		Weight (g)	Savings vs. AS21919, AL	Savings vs. AS21919, CRES
02	APCL86P02	2.68	7%	- 26%
03	APCL86P03	2.60	-4%	- 43%
04	APCL86P04	2.86	-1%	- 43%
05	APCL86P05	3.39	-2%	- 39%
06	APCL86P06	3.67	-8%	- 42%
07	APCL86P07	3.94	-10%	- 46%
08	APCL86P08	5.05	5%	- 38%
09	APCL86P09	5.47	-10%	- 45%
10	APCL86P10	7.64	3%	- 38%
11			- 9%	- 42%
12	APCL86P12	8.80	- 5%	- 37%
13			- 12%	- 41%
14	APCL86P14	9.95	- 8%	- 37%
15			- 14%	- 41%
16	APCL86P16	10.79	- 12%	- 3 9%
17			- 19%	- 45%
18	APCL86P18	13.07	- 9%	- 37%
19			- 15%	- 41%
20	APCL86P20	14.01	- 15%	- 41%
21			- 16%	- 44%
22	APCL86P22	15.41	- 10%	- 41%
23			- 12%	- 44%
24	APCL86P24	16.36	- 9%	- 43%
25			- 11%	- 4 4%

86P CLAMP



Installation, 3 Easy Steps

Compared to the industry standard AS21919 Clamp, the 86P Clamp was demonstrated to be approximately 40% faster during the installation of a single clamp and 50% faster when installing 5 clamps at a single point.



STEP 1: Mount the 86P on a premounted standoff. (Amphenol PCD Standoff recommended)

STEP 2: Insert your wire bundle

STEP 3: Snap the 86P Clamp closed by hand.

Amphenol Pcd
www.amphenolpcd.com