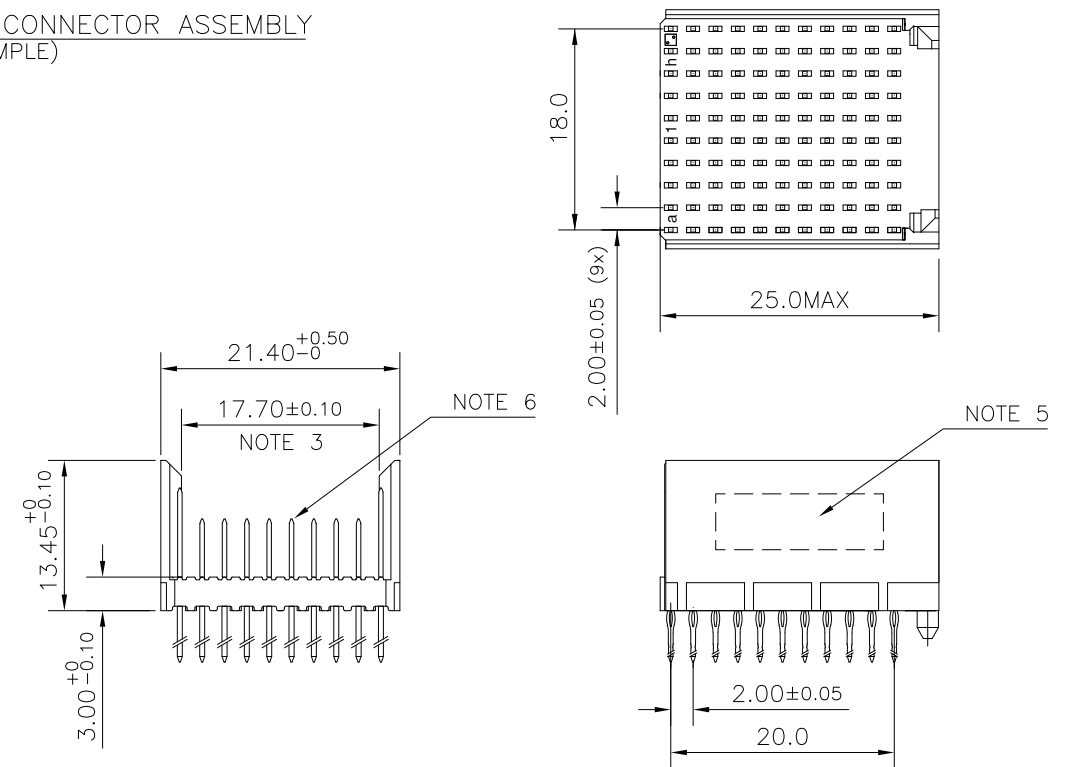


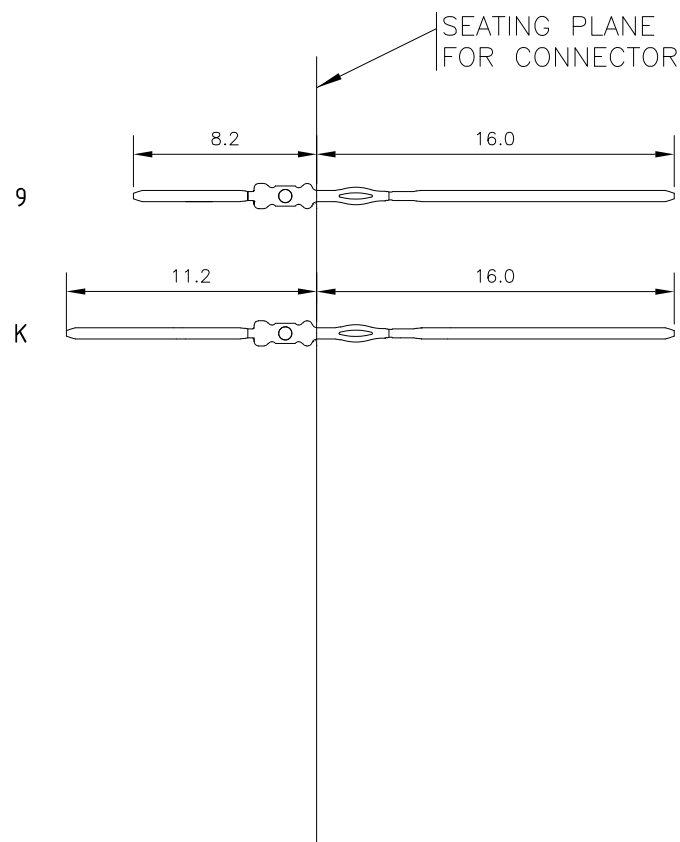
LOADING PATTERN MATING SIDE

y	K	K	K	K	K	K	K	K	K	K
h	9	9	9	9	9	9	9	9	9	9
g	9	9	9	9	9	9	9	9	9	9
f	9	9	9	9	9	9	9	9	9	9
e	9	9	9	9	9	9	9	9	9	9
d	9	9	9	9	9	9	9	9	9	9
c	9	9	9	9	9	9	9	9	9	9
b	9	9	9	9	9	9	9	9	9	9
a	9	9	9	9	9	9	9	9	9	9
z	K	K	K	K	K	K	K	K	K	K
POS	01	05	10							

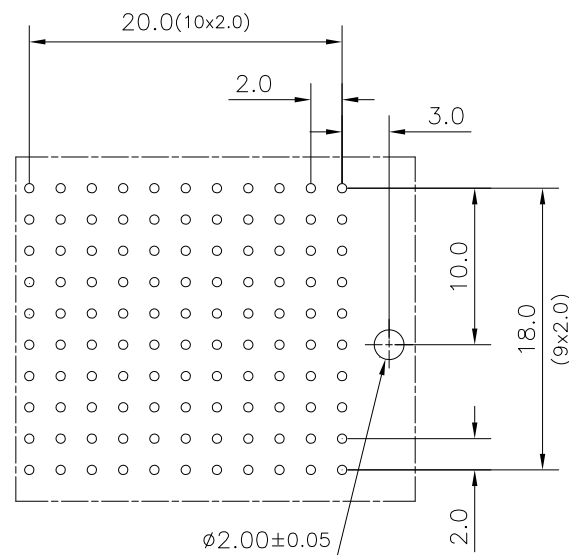
LOADED CONNECTOR ASSEMBLY (FOR EXAMPLE)



CONTACT OVERVIEW



LAY-OUT P.C.B.-HOLE



LEAD FREE INDICATOR : LF = LEAD FREE (DIGIT 15 & 16)

HM2P89PN8114

PLATING CODE (DIGIT 13 AND 14) (REF. DWG NO. BSC,201844, 003)

NOTES

1. THIS PRODUCT IS CSA APPROVED.
2. THIS PRODUCT IS UL RECOGNIZED.
3. MEASURED AT THE BOTTOM.
4. FOR GENERAL DETAILS PLEASE REFER DRAWING: BS, C ,203028, 000
5. CONNECTOR PRINTED WITH P/N AND DATE CODE.
6. FOR ACTUAL CONTACT LOADINGS, SEE LOADING PATTERN MATING SIDE.
7. THIS PRODUCT MEETS EUROPEAN UNION DIRECTIVES AND OTHER COUNTRY REGULATIONS AS DESCRIBED IN GS-47-0004
8. FOR RECOMMENDED PTH DIMENSIONS REFER DRAWING : BS, A , 201572 , 001

CATALOG NO: HM2P89PN8114-----

mat'l. code SEE NOTE 4		surface ISO 1302 ✓	tolerance ISO 406 ISO 1101	projection 	product family MILLIPACS
ltr	ecn no	dr	date	tolerances unless otherwise specified	
C	106-0114	VIVEK	2006-08-07	angles	linear
D	ELX-1-37290	MINI	2020-06-07	0°±1°	—
				dr	MINI K VANDANATH 2020-06-07
				enr	BINESH 2020-06-07
				chr	ALEX 2020-06-07
				appd	SANOJ 2020-06-07
sheet index	revision sheet	D	1		

dwg no sheet 1 of 1 size
BS, C ,202175,252 A3
type Product Customer Drawing