



FEATURES:

- Wide 2:1 Input Range
- Adjustable Single Output Voltage
- Undervoltage lockout
- High Power Density
- Efficiency up to 92%
- Remote On/Off Function
- Soft start

Models Single output



Model	Input Voltage (V)	Output Voltage (V)	Output Current max (A)	Maximum Capacitive load (μF)	Efficiency (%)
AM40E-1203SZ	9-18	3.3	8	21800	90
AM40E-1205SZ	9-18	5	8	13600	91
AM40E-1212SZ	9-18	12	3.33	2300	91
AM40E-1215SZ	9-18	15	2.67	1500	91
AM40E-2403SZ	18-36	3.3	8	21800	91
AM40E-2405SZ	18-36	5	8	13600	92
AM40E-2412SZ	18-36	12	3.33	2300	91
AM40E-2415SZ	18-36	15	2.67	1500	92
AM40E-4803SZ	36-75	3.3	8	21800	91
AM40E-4805SZ	36-75	5	8	13600	92
AM40E-4812SZ	36-75	12	3.33	2300	91
AM40E-4815SZ	36-75	15	2.67	1500	92

Add suffix “-K” for optional heat sink

Models Dual output

Model	Input Voltage (V)	Output Voltage (V)	Output Current max (A)	Maximum Capacitive load (μF)	Efficiency (%)
AM40E-1212DZ	9-18	±12	±1.67	±1200	91
AM40E-1215DZ	9-18	±15	±1.33	±750	92
AM40E-2412DZ	18-36	±12	±1.67	±1200	91
AM40E-2415DZ	18-36	±15	±1.33	±750	92
AM40E-4812DZ	36-75	±12	±1.67	±1200	92
AM40E-4815DZ	36-75	±15	±1.33	±750	92

Add suffix “-K” for optional heat sink

NOTE: All specifications in this datasheet are measured at an ambient temperature of 25°C, humidity<75%, nominal input voltage and at rated output load unless otherwise specified.

Input Specifications

Parameters	Nominal	Typical	Maximum	Units
Voltage range	12	9-18		VDC
	24	18-36		VDC
	48	36-75		VDC
Filter	π (Pi) Network			
Start up time		30		ms
Absolute Maximum Rating	12		25	VDC
	24		50	VDC
	48		100	VDC
Peak Input Voltage time			100	ms
On/Off control	ON: 3 ~12VDC or open circuit ; OFF – 0 ~ 1.2VDC or Short circuit between pin 2 and pin 3 (OFF idle current: 5mA Typical)			
Under voltage lockout	12V ON/OFF	8.6 / 7.9		VDC
	24V ON/OFF	17.8 / 16		VDC
	48V ON/OFF	33.5 / 30.5		VDC

Input Reflected Ripple Current*		20		mA p-p
---------------------------------	--	----	--	--------

* The input reflected ripple current should be measured with a 12µH inductor and a 47µF input capacitor (ESR<1Ω at 100 KHz)

Isolation Specifications

Parameters	Conditions	Typical	Rated	Units
Tested I/O voltage	60 sec		1600	VDC
Case/Input and Output	60 sec	1600		VDC
Resistance		<1000		MOhm
Capacitance		1000		pF

Output Specifications

Parameters	Conditions	Typical	Maximum	Units
Voltage accuracy			±1	%
Cross Regulation (Dual Output Models)	25% load on one output 100% load on second load		±5	%
Over voltage protection		Zener diode clamp		
Over load protection		115-140		% of Iout
Short Circuit protection		Continuous		
Short circuit restart		Auto-Recovery		
Line voltage regulation	HL-LL		±0.5	%
Load voltage regulation (Single)	0% to 100% load		±0.5	%
Load voltage regulation (Dual)	0% to 100% load		±1	%
Temperature coefficient		±0.02		%/°C
Ripple & Noise *	3.3Vout/5Vout other models		100 150	mV p-p
Voltage adjustment range (single)			±10	%
Minimum Load Current		0		% of Max

* Measured at 20MHz bandwidth with a 1µF CC.

General Specifications

Parameters	Conditions	Typical	Maximum	Units
Switching frequency	100% load	270		KHz
Operating temperature	See derating chart	-40 to +71		°C
Storage temperature		-55 to +125		°C
Maximum case temperature			105	°C
Cooling		Free Air Convection(30-65 LFM)		
Humidity			95	% RH
Case material		Nickel coated Copper		
Weight		35		g
Dimensions (L x W x H)	2.00 x 1.00 x 0.40 inches	50.80 x 25.40 x 10.16 mm		
MTBF	>328,000 hrs (MIL-HDBK -217F, Ground Benign, t=+25°C)hours			
Maximum soldering temperature	1.5mm from case for 10 sec		260	°C
Transient recovery time	25% load step change	250		µS
Transient recovery deviation	25% load step change	±3		%

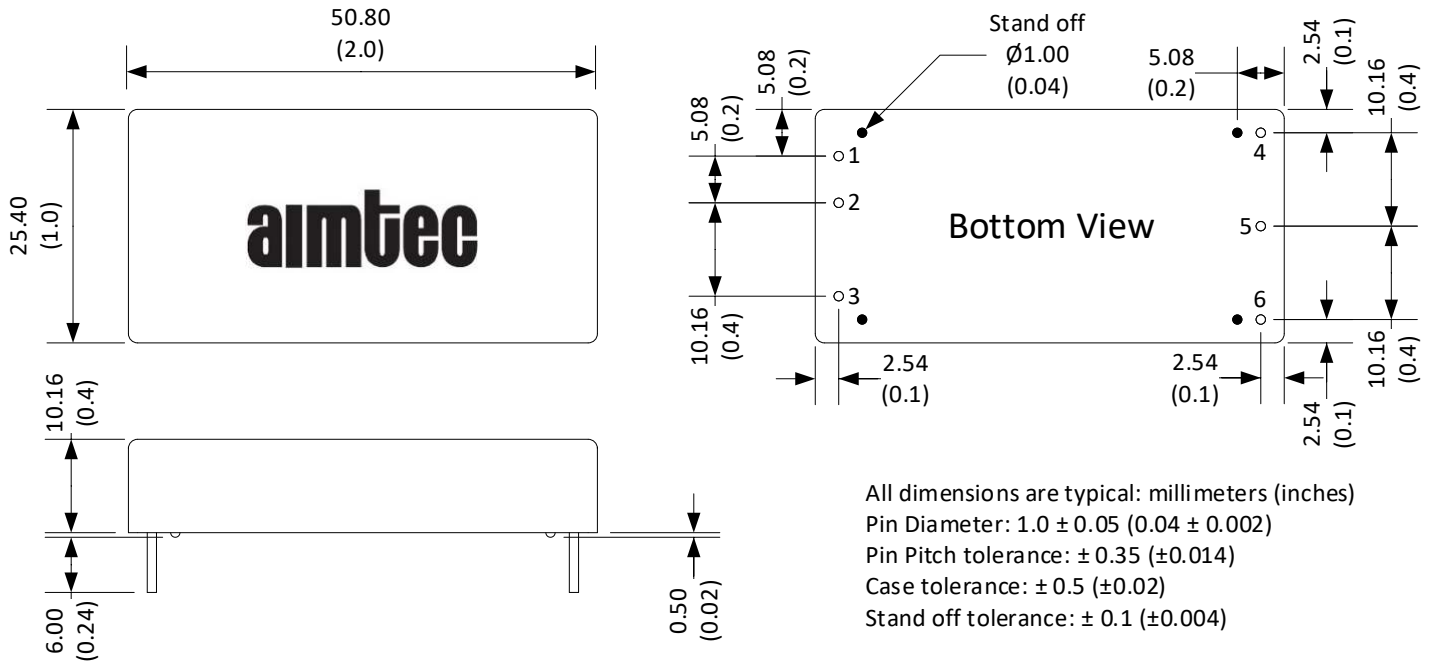
Safety Specifications

Parameters	
Agency Approval	CE
Safety	EN55032 Class B with the recommended circuit
	IEC61000-4-2, Perf. Criteria A
	IEC61000-4-3, Perf. Criteria A
	IEC61000-4-4, Perf. Criteria A (external 220µF/100V cap required)
	IEC61000-4-5, Perf. Criteria A (external 220µF/100V cap required)
	IEC61000-4-6, Perf. Criteria A
	IEC61000-4-8, Perf. Criteria A
NOTE: also designed to meet IEC/EN 60950-1, 62368-1	

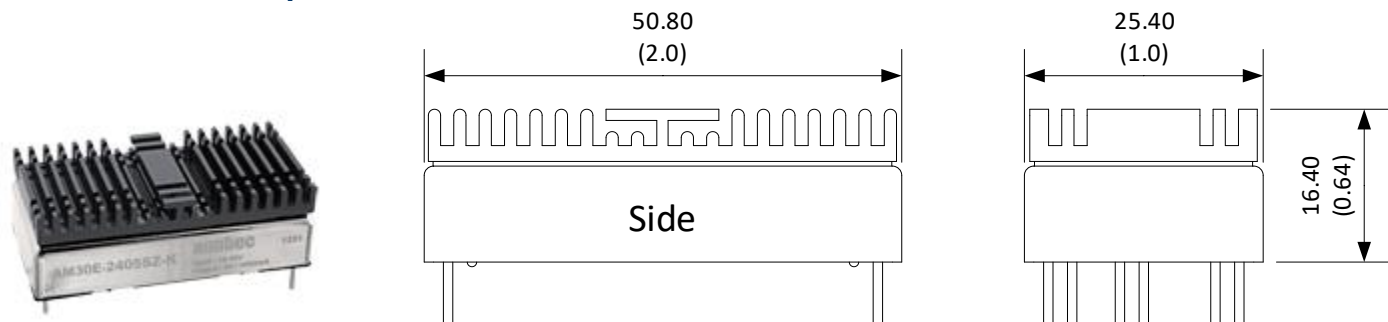
Pin Out Specifications

Pin	Single	Dual
1	+ V Input	+ V Input
2	- V Input	- V Input
3	On/Off Control	On/Off Control
4	+ V Output	+ V Output
5	-V Output	Common
6	Trim	- V Output

Dimensions

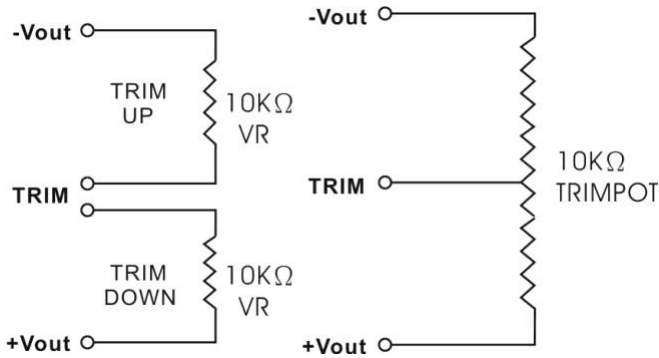


Dimensions with Optional Heat Sink

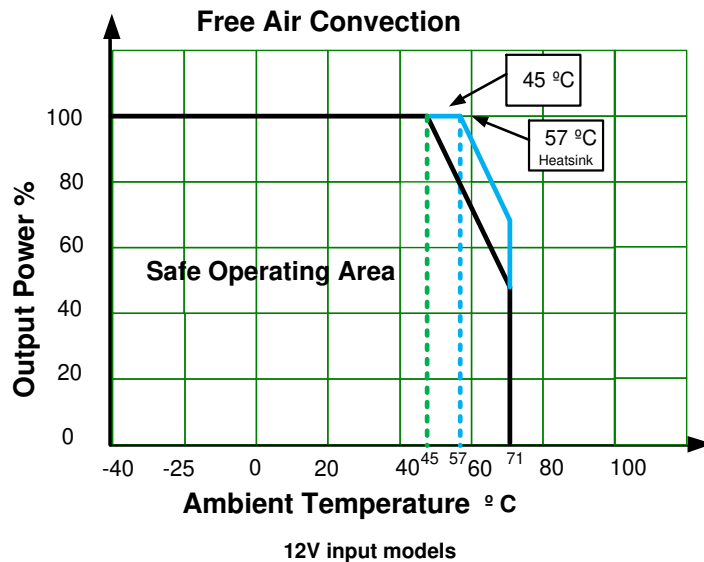
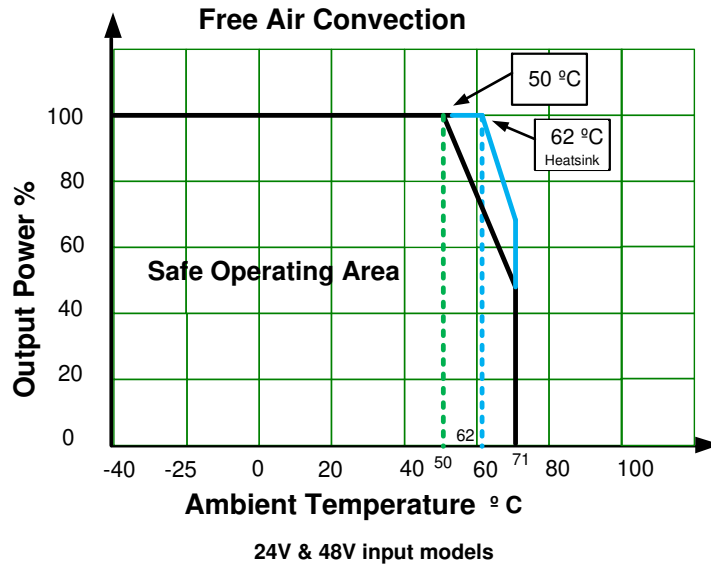


Notes: Add “-K” suffix for ordering, heat sink is affixed with thermally dissipative adhesive tape. See derating graph for temperature performance. Heat sink material is anodized (black) aluminum, adds weight 11.3g to total mass (46.3g).

Trimming

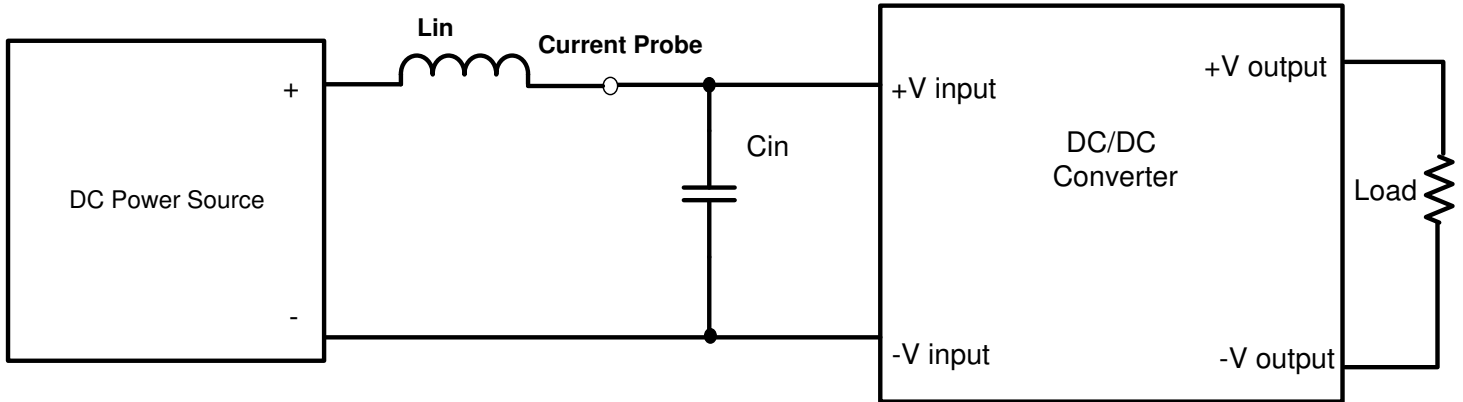


Derating



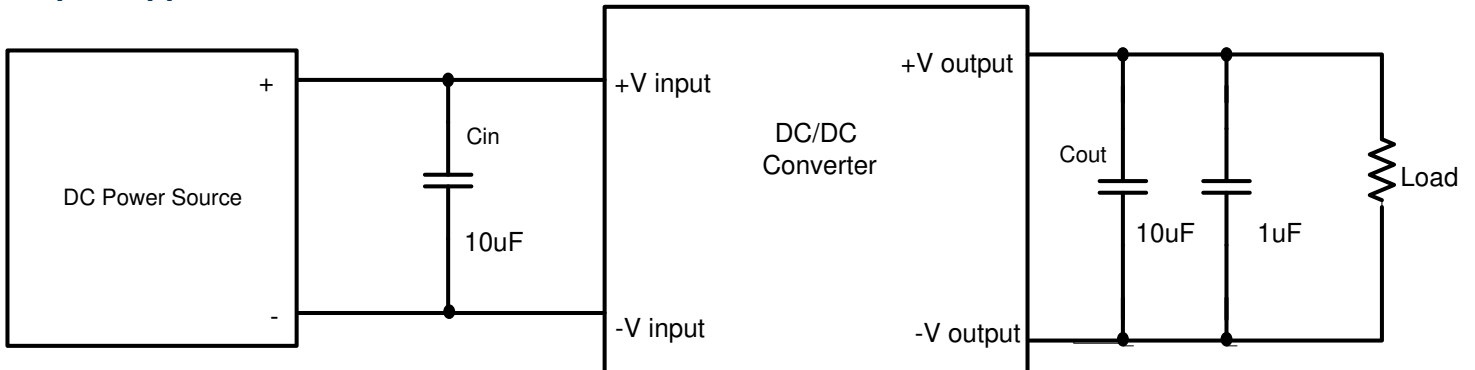
Extended temperature performance can be achieved with optional heat sink. (add suffix “-K” to part number)

Input Reflected Ripple Current Test Step



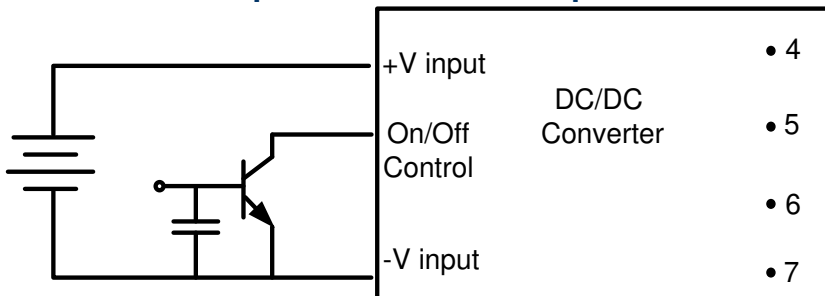
Input reflected ripple current is measured through a source inductor L_{in} (4.7 μ H) and a source capacitor C_{in} (47 μ F, ESR < 1.0 Ω at 100KHz) at a nominal input and full load

Output Ripple and noise reduction

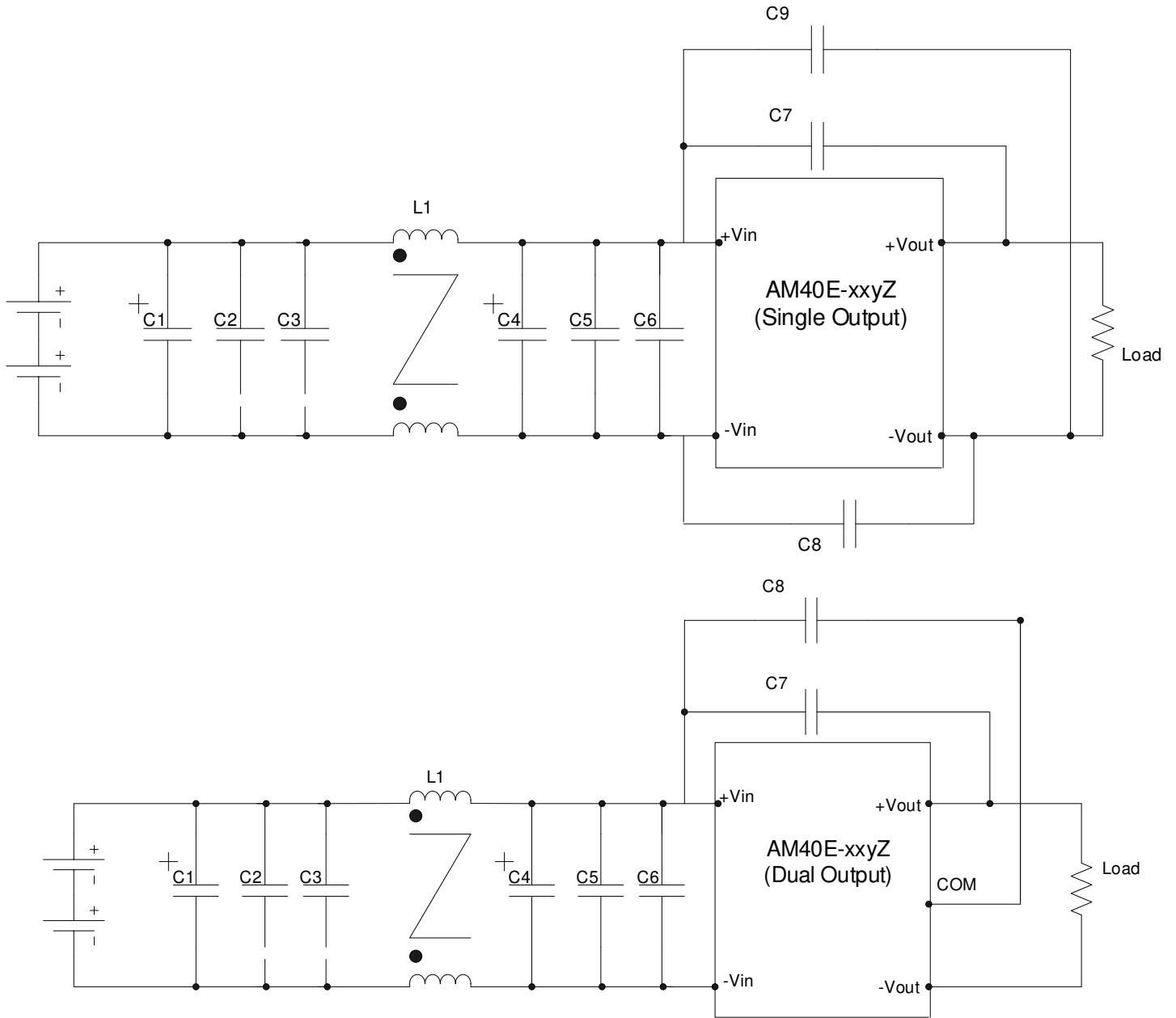


To reduce ripple and noise, it is recommended to use a 1 μ F ceramic disk capacitor and a 10 μ F electrolytic

Control ON/OFF pin connection example

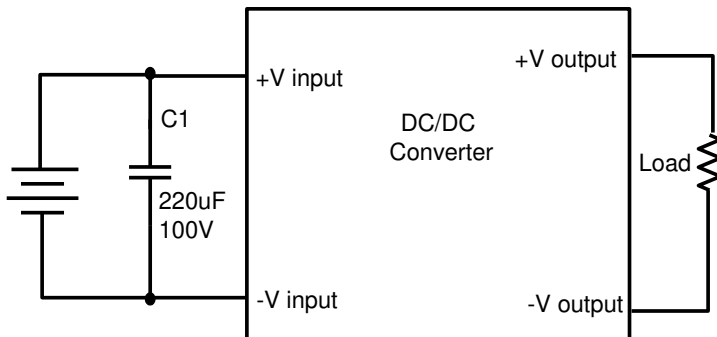


EMI Filter



Model	C1	L1	C2/C3/C5/C6	C4	C7	C8	C9
AM40E-12xxSZ	220μF, 100V	Common Choke 68μH	1812,6.8μF, 50V	330μF, 100V	-	-	1206,1000pF, 2KV
AM40E-24xxSZ	220μF, 100V	Common Choke 68μH	1812,4.7μF, 50V	220μF, 100V	1206,1000pF, 2KV	1206,1000pF, 2KV	-
AM40E-48xxSZ	220μF, 100V	Common Choke 68μH	1812,1.5μF, 100V	220μF, 100V	1206,1000pF, 2KV	1206,1000pF, 2KV	-
AM40E-12xxDZ	220μF, 100V	Common Choke 68μH	1812,6.8μF, 50V	330μF, 100V	1206,1000pF, 2KV	1206,1000pF, 2KV	-
AM40E-24xxDZ	220μF, 100V	Common Choke 68μH	1812,4.7μF, 50V	220μF, 100V	1206,1000pF, 2KV	1206,1000pF, 2KV	-
AM40E-48xxDZ	220μF, 100V	Common Choke 68μH	1812,1.5μF, 100V	220μF, 100V	1206,1000pF, 2KV	1206,1000pF, 2KV	-

EFT/Surge



NOTE: 1. Datasheets are updated as needed and as such, specifications are subject to change without notice. Once printed or downloaded, datasheets are no longer controlled by Aimtec; refer to www.aimtec.com for the most current product specifications. 2. Product labels shown, including safety agency certifications on labels, may vary based on the date manufactured. 3. Mechanical drawings and specifications are for reference only. 4. All specifications are measured at an ambient temperature of 25°C, humidity<75%, nominal input voltage and at rated output load unless otherwise specified. 5. Aimtec may not have conducted destructive testing or chemical analysis on all internal components and chemicals at the time of publishing this document. CAS numbers and other limited information are considered proprietary and may not be available for release. 6. This product is not designed for use in critical life support systems, equipment used in hazardous environments, nuclear control systems or other such applications which necessitate specific safety and regulatory standards other the ones listed in this datasheet. 7. Warranty is in accordance with Aimtec's standard Terms of Sale available at www.aimtec.com.