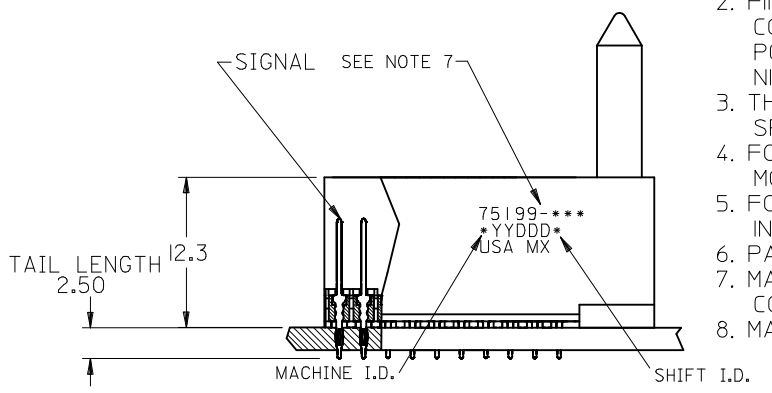
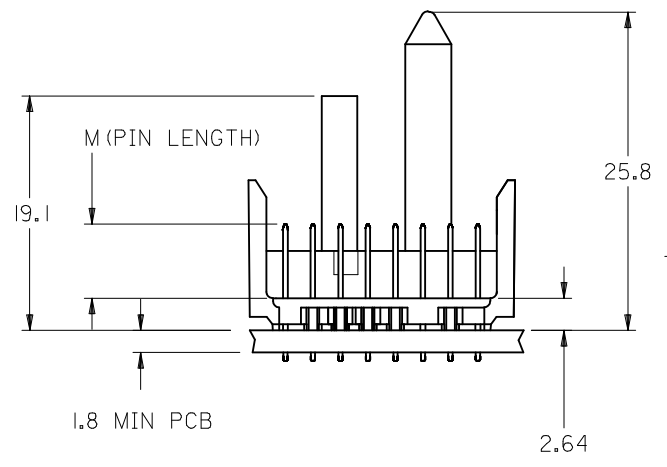


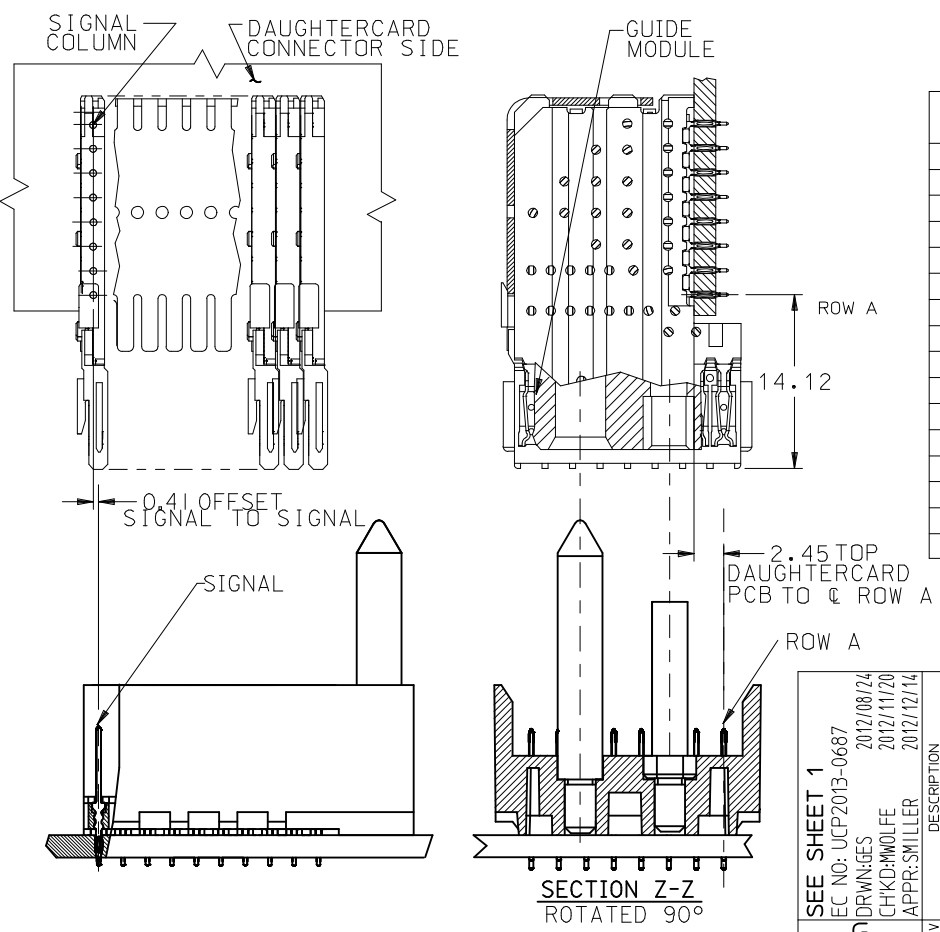
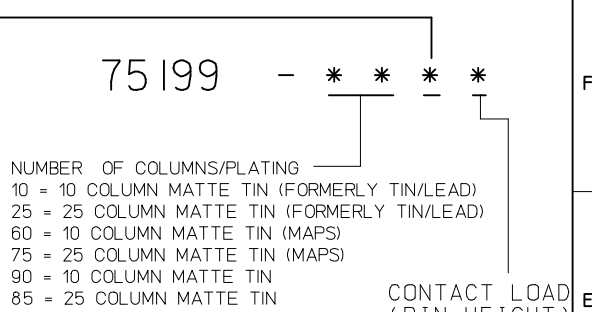
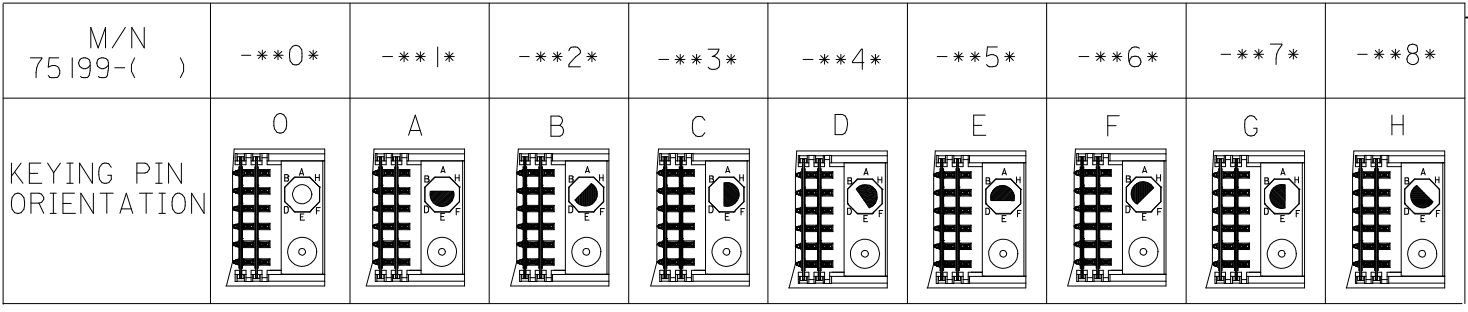
- NOTES:
- MATERIALS:
HOUSING - LIQUID CRYSTAL POLYMER (LCP),
GLASS-FILLED, UL 94V-0, COLOR: BLACK
SIGNAL PIN - COPPER ALLOY
 - FINISHES:
CONTACT AREA: SELECTIVE GOLD (Au)
PCB TAILS: SELECTIVE MATTE TIN (Sn)
NICKEL (Ni) OVERALL.
 - THIS PART CONFORMS TO MOLEX PRODUCT SPECIFICATION PS-74031-999
 - FOR MIXED CONTACT LENGTHS CONSULT MOLEX FOR AVAILABILITY
 - FOR SPECIFIC MATERIAL NUMBERS & MATING INFORMATION REFER TO SHEET 2
 - PACKAGE PER PK-74061-003
 - MARK PART WITH PART NUMBER & DATE CODE APPROXIMATELY WHERE SHOWN
 - MAPS (MOLEX ADVANCED PLATING SYSTEM).



THE PRIMARY CARTON WITH A LABEL STATING "ELV AND RoHS COMPLAINT" IS LEAD FREE. CARTONS WITHOUT THIS LABEL MAY CONTAIN LEAD.

LEAD FREE CONVERSION EC NO: UCP2013-0687 DRAWINGS 2012/08/24 CHKD: MWOLFE 2012/11/20 APPR: SMILLER 2012/12/14 G	QUALITY SYMBOLS $\nabla=0$ $\nabla=0$ $\nabla=0$	GENERAL TOLERANCES (UNLESS SPECIFIED)		DIMENSION STYLE MM ONLY		SCALE 2.5:1	DESIGN UNITS METRIC	THIRD ANGLE PROJECTION	
		4 PLACES \pm --- \pm ---	mm INCH	DRAWN BY JMELTON	DATE 2010/05/19	TITLE VHDM LITE 8 ROW SHIELD END BACKPLANE SALES ASSEMBLY			
		3 PLACES \pm --- \pm ---		CHECKED BY SDANNELLEY	DATE 2010/05/19	molex			
		2 PLACES \pm --- \pm ---		APPROVED BY SMILLER	DATE 2010/07/14	MATERIAL NO. SEE SHT.2	DOCUMENT NO. SD-75199-001	SHEET NO. 1 OF 2	
		ANGULAR $\pm 1/2^\circ$ DRAFT WHERE APPLICABLE MUST REMAIN WITHIN DIMENSIONS		THIS DRAWING CONTAINS INFORMATION THAT IS PROPRIETARY TO MOLEX INCORPORATED AND SHOULD NOT BE USED WITHOUT WRITTEN PERMISSION					

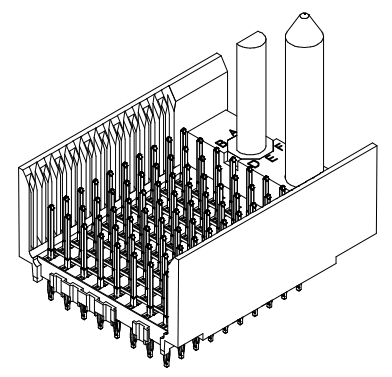
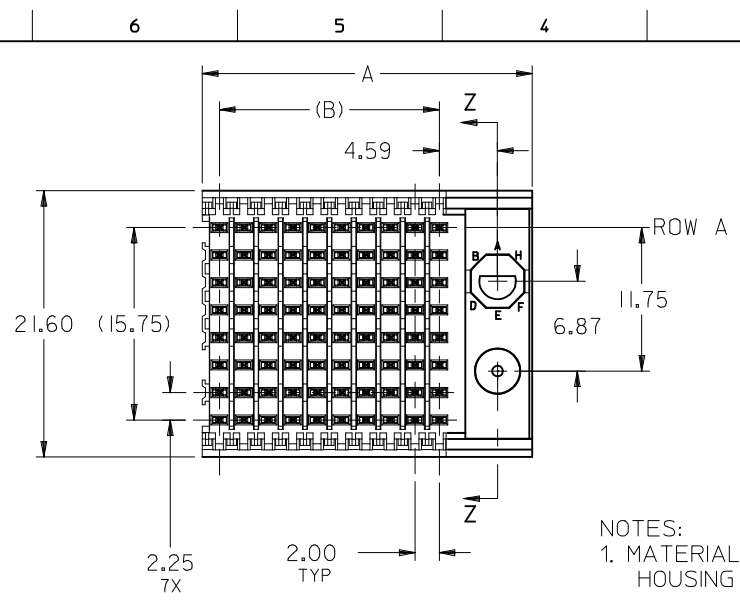
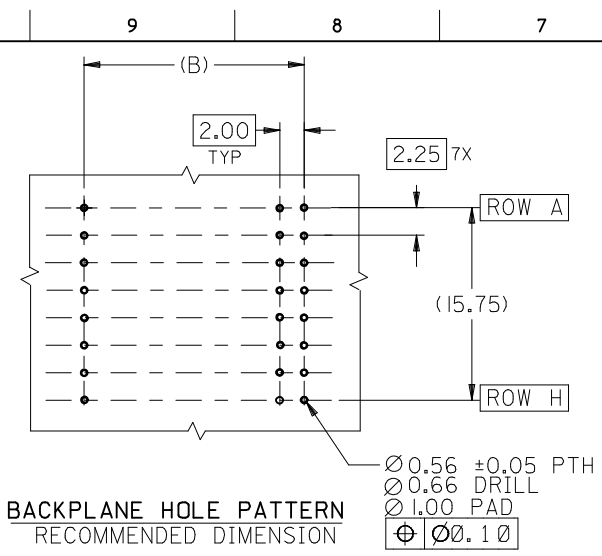
10 9 8 7 6 5 4 3 2 1



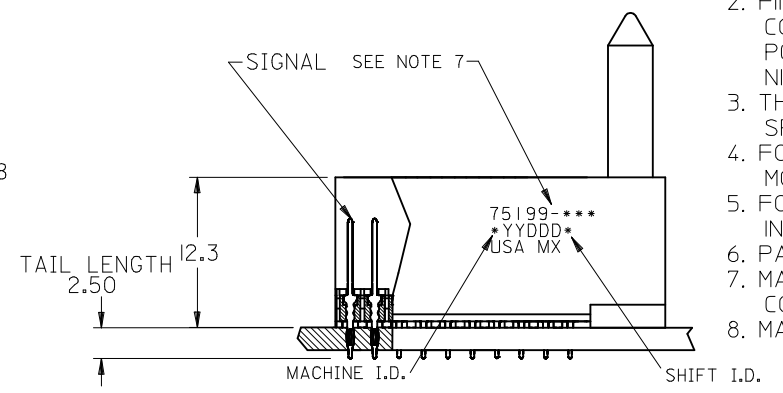
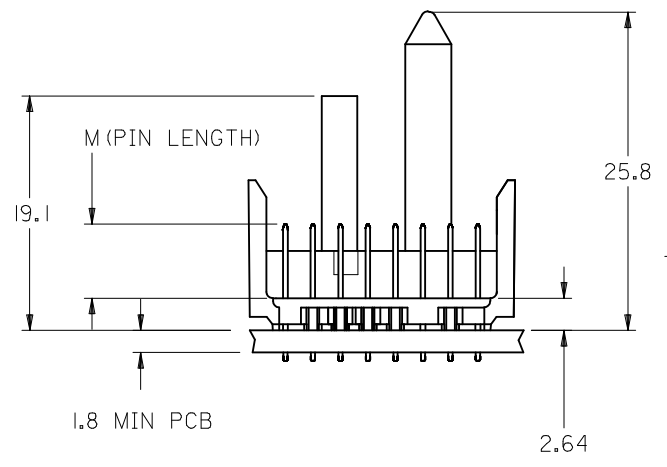
PART NUMBER	COLUMN	NUMBER OF SIGNAL PIN	NUMBER OF SHIELD	A	B	M	GOLD THICKNESS MICROMETER	TIN THICKNESS MICROMETER
75199-60*1	10	80	0	27.00	18.00	4.75	0.25 MAPS	0.76-152
75199-*0*1							0.76	
75199-75*1	25	200	0	57.00	48.00	6.25	0.25 MAPS	
75199-*5*1							0.76	
75199-60*2	10	80	0	27.00	18.00	6.25	0.25 MAPS	
75199-*0*2							0.76	
75199-75*2	25	200	0	57.00	48.00	4.25	0.25 MAPS	
75199-*5*2							0.76	
75199-60*3	10	80	0	27.00	18.00	5.15	0.25 MAPS	
75199-*0*3							0.76	
75199-75*3	25	200	0	57.00	48.00	4.25	0.25 MAPS	
75199-*5*3							0.76	
75199-60*4	10	80	0	27.00	18.00	5.15	0.25 MAPS	
75199-*0*4							0.76	
75199-75*4	25	200	0	57.00	48.00	5.15	0.25 MAPS	
75199-*5*4							0.76	

SEE SHEET 1 EC NO: UCP2013-0687 DRWNGES 2012/08/24 CHKD:MMOLFE 2012/11/20 APPR:SMILLER 2012/12/14 G	QUALITY SYMBOLS $\nabla=0$ $\nabla=0$ $\nabla=0$	GENERAL TOLERANCES (UNLESS SPECIFIED) mm INCH 4 PLACES \pm --- \pm --- 3 PLACES \pm --- \pm --- 2 PLACES \pm --- \pm --- 1 PLACE \pm --- \pm --- 0 PLACE \pm \pm	DIMENSION STYLE MM ONLY DRAWN BY DATE JMELTON 2010/05/19 CHECKED BY DATE SDANNELLEY 2010/05/19 APPROVED BY DATE SMILLER 2010/07/14	SCALE 2.5:1 DESIGN UNITS METRIC THIRD ANGLE PROJECTION	TITLE VHDM LITE 8 ROW SHIELD END BACKPLANE SALES ASSEMBLY molex
	ANGULAR $\pm 1/2^\circ$ DRAFT WHERE APPLICABLE MUST REMAIN WITHIN DIMENSIONS	MATERIAL NO. SEE TABLE	DOCUMENT NO. SD-75199-001	SHEET NO. 2 OF 2	
	THIS DRAWING CONTAINS INFORMATION THAT IS PROPRIETARY TO MOLEX INCORPORATED AND SHOULD NOT BE USED WITHOUT WRITTEN PERMISSION				
	SIZE B				

9 8 7 6 5 4 3 2 1



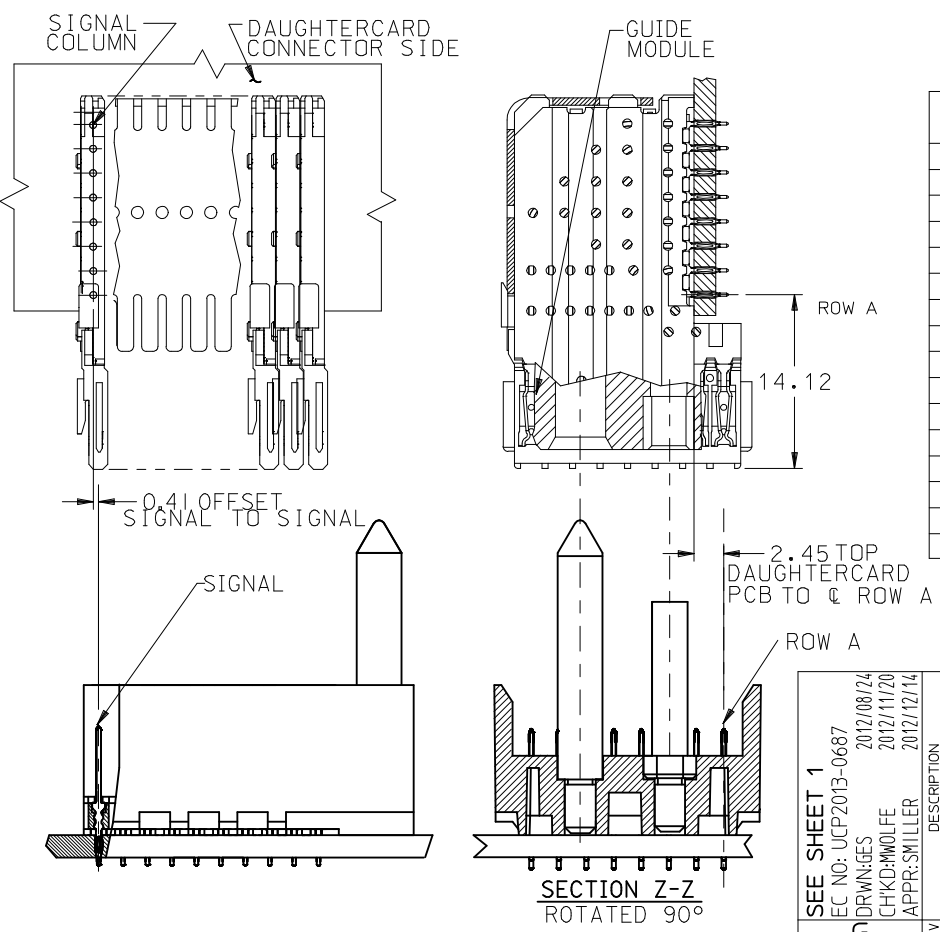
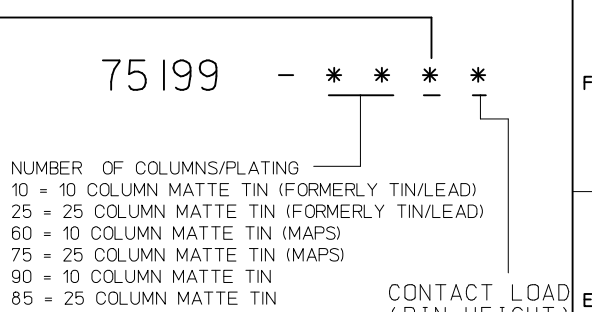
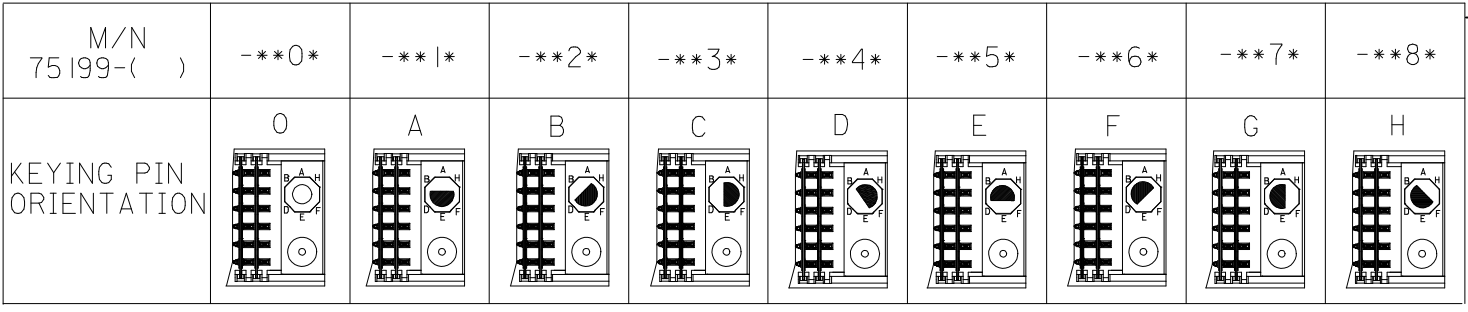
- NOTES:
- MATERIALS:
HOUSING - LIQUID CRYSTAL POLYMER (LCP),
GLASS-FILLED, UL 94V-0, COLOR: BLACK
SIGNAL PIN - COPPER ALLOY
 - FINISHES:
CONTACT AREA: SELECTIVE GOLD (Au)
PCB TAILS: SELECTIVE MATTE TIN (Sn)
NICKEL (Ni) OVERALL.
 - THIS PART CONFORMS TO MOLEX PRODUCT SPECIFICATION PS-74031-999
 - FOR MIXED CONTACT LENGTHS CONSULT MOLEX FOR AVAILABILITY
 - FOR SPECIFIC MATERIAL NUMBERS & MATING INFORMATION REFER TO SHEET 2
 - PACKAGE PER PK-74061-003
 - MARK PART WITH PART NUMBER & DATE CODE APPROXIMATELY WHERE SHOWN
 - MAPS (MOLEX ADVANCED PLATING SYSTEM).



THE PRIMARY CARTON WITH A LABEL STATING "ELV AND RoHS COMPLAINT" IS LEAD FREE. CARTONS WITHOUT THIS LABEL MAY CONTAIN LEAD.

LEAD FREE CONVERSION EC NO: UCP2013-0687 DRAWINGS 2012/08/24 CHKD:MMOLFE 2012/11/20 APPR:SMILLER 2012/12/14 G	QUALITY SYMBOLS $\nabla=0$ $\nabla=0$ $\nabla=0$	GENERAL TOLERANCES (UNLESS SPECIFIED) mm INCH 4 PLACES \pm --- \pm --- 3 PLACES \pm --- \pm --- 2 PLACES \pm --- \pm --- 1 PLACE \pm --- \pm --- 0 PLACE \pm \pm	DIMENSION STYLE MM ONLY DRAWN BY DATE JMELTON 2010/05/19 CHECKED BY DATE SDANNELLEY 2010/05/19 APPROVED BY DATE SMILLER 2010/07/14	SCALE 2.5:1 DESIGN UNITS METRIC THIRD ANGLE PROJECTION	TITLE VHDM LITE 8 ROW SHIELD END BACKPLANE SALES ASSEMBLY molex	MATERIAL NO. SEE SHT.2	DOCUMENT NO. SD-75199-001	SHEET NO. 1 OF 2
		ANGULAR $\pm 1/2^\circ$ DRAFT WHERE APPLICABLE MUST REMAIN WITHIN DIMENSIONS	THIS DRAWING CONTAINS INFORMATION THAT IS PROPRIETARY TO MOLEX INCORPORATED AND SHOULD NOT BE USED WITHOUT WRITTEN PERMISSION					
		SIZE B						

10 9 8 7 6 5 4 3 2 1



PART NUMBER	COLUMN	NUMBER OF SIGNAL PIN	NUMBER OF SHIELD	A	B	M	GOLD THICKNESS MICROMETER	TIN THICKNESS MICROMETER
75199-60*1	10	80	0	27.00	18.00	4.75	0.25 MAPS	0.76-152
75199-*0*1							0.76	
75199-75*1	25	200	0	57.00	48.00	6.25	0.25 MAPS	
75199-*5*1							0.76	
75199-60*2	10	80	0	27.00	18.00	6.25	0.25 MAPS	
75199-*0*2							0.76	
75199-75*2	25	200	0	57.00	48.00	4.25	0.25 MAPS	
75199-*5*2							0.76	
75199-60*3	10	80	0	27.00	18.00	5.15	0.25 MAPS	
75199-*0*3							0.76	
75199-75*3	25	200	0	57.00	48.00	4.25	0.25 MAPS	
75199-*5*3							0.76	
75199-60*4	10	80	0	27.00	18.00	5.15	0.25 MAPS	
75199-*0*4							0.76	
75199-75*4	25	200	0	57.00	48.00	4.25	0.25 MAPS	
75199-*5*4							0.76	

SEE SHEET 1 EC NO: UCP2013-0687 DRWNGES 2012/08/24 CHKD:MMOLFE 2012/11/20 APPR:SMILLER 2012/12/14 G	QUALITY SYMBOLS $\nabla=0$ $\nabla=0$ $\nabla=0$	GENERAL TOLERANCES (UNLESS SPECIFIED) mm INCH 4 PLACES \pm --- \pm --- 3 PLACES \pm --- \pm --- 2 PLACES \pm --- \pm --- 1 PLACE \pm --- \pm --- 0 PLACE \pm \pm	DIMENSION STYLE MM ONLY DRAWN BY DATE JMELTON 2010/05/19 CHECKED BY DATE SDANNELLEY 2010/05/19 APPROVED BY DATE SMILLER 2010/07/14	SCALE 2.5:1 DESIGN UNITS METRIC THIRD ANGLE PROJECTION	TITLE VHDM LITE 8 ROW SHIELD END BACKPLANE SALES ASSEMBLY molex
	ANGULAR $\pm 1/2^\circ$ DRAFT WHERE APPLICABLE MUST REMAIN WITHIN DIMENSIONS	MATERIAL NO. SEE TABLE	DOCUMENT NO. SD-75199-001	SHEET NO. 2 OF 2	
	THIS DRAWING CONTAINS INFORMATION THAT IS PROPRIETARY TO MOLEX INCORPORATED AND SHOULD NOT BE USED WITHOUT WRITTEN PERMISSION				
	SIZE B				