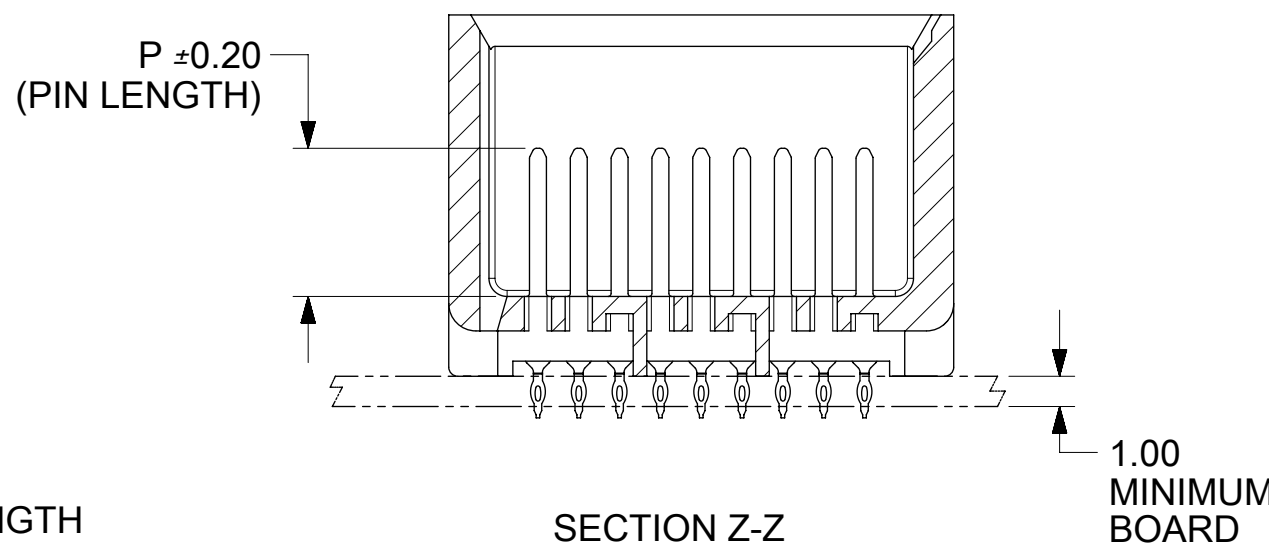
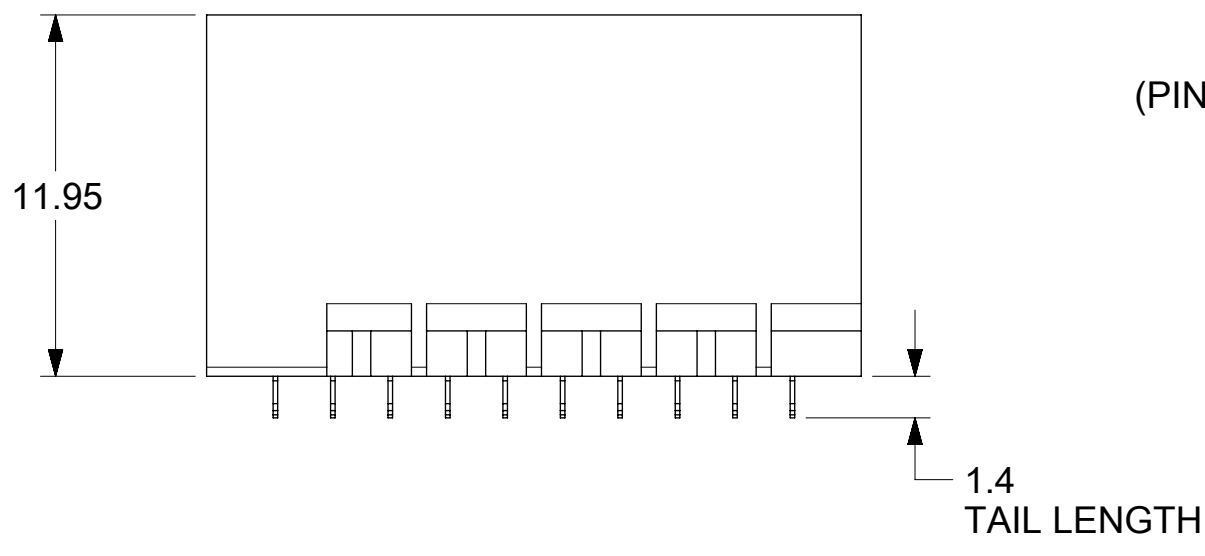
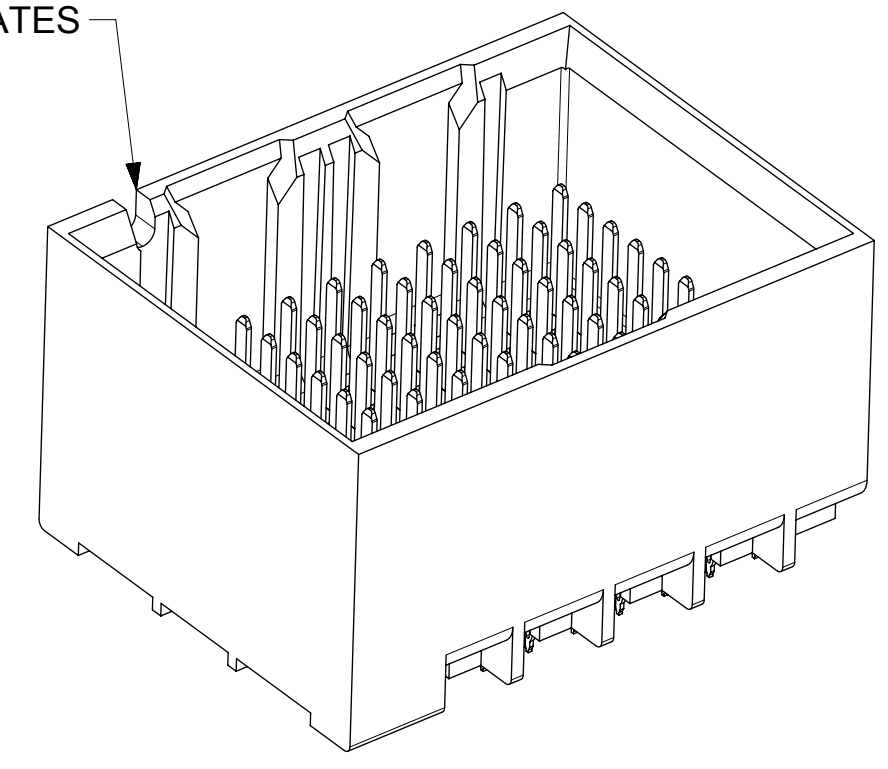


SEE PART NUMBER CHART AND PART NUMBER LOGIC (9 HOLES PER COLUMN)

UNGUIDED BACKPLANE HOLE PATTERN (CONNECTOR SIDE) SEE NOTE 9



NOTCH DESIGNATES ROW A

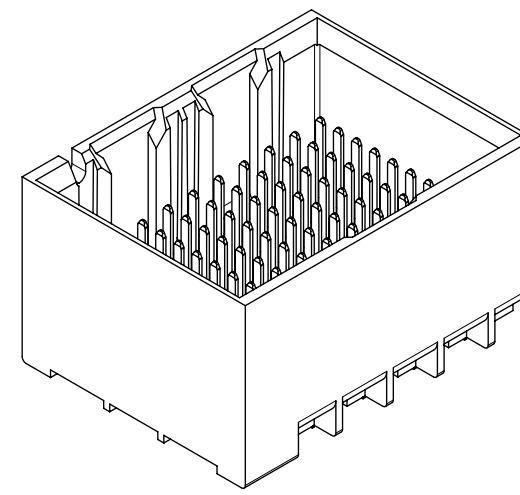


- NOTES:
1. MATERIALS: HOUSING - LIQUID CRYSTAL POLYMER (LCP) GLASS-FILLED, UL94V-0
TERMINALS - HIGH PERFORMANCE COPPER ALLOY
 2. FINISH: 30µ MIN GOLD IN CONTACT AREA.
SELECTIVE TIN ON PCB TAILS.
NICKEL OVERALL.
 3. REFER TO MOLEX PRODUCT SPECIFICATION PS-76060-999 FOR PERFORMANCE SPECIFICATIONS AND ADDITIONAL PCB INFORMATION.
 4. THIS PART CONFORMS TO CLASS B REQUIREMENTS OF MOLEX COSMETIC SPEC PS-45499-002.
 5. PARTS PACKAGED PER PK-70873-7700.
 6. SEE SHEETS 2 & 3 FOR PART NUMBERS AND BOARD RELATIONSHIPS.
 7. MATES WITH IMPACT DC SERIES NO. 76170.
 8. REFER TO MOLEX PCB ROUTING GUIDE AS-76060-990 FOR ANTIPAD AND ROUTING RECOMMENDATIONS.
 9. "THESE DIMENSIONS REPRESENT THE AREA NEEDED TO ACCOMMODATE CONNECTOR INSERTION AND REPAIR ON THE PC BOARD. THIS IS REFERRED TO AS THE "CONNECTOR KEEP OUT ZONE" AND DOES NOT REPRESENT THE ACTUAL PERIMETER OF THE CONNECTOR. WHEN LAYING OUT A PC BOARD FOR CONNECTORS STACKED TOGETHER. USE A 1.9mm PROGRESSION."

QUALITY SYMBOLS ▽ = 0 ▽ = 0 ▽ = 0 ▼ = 0 ▽ = 0 ⊠ = 0 ■ = 0 ▽ = 0	THIS DRAWING CONTAINS INFORMATION THAT IS PROPRIETARY TO MOLEX ELECTRONIC TECHNOLOGIES, LLC AND SHOULD NOT BE USED WITHOUT WRITTEN PERMISSION		GENERAL TOLERANCES (UNLESS SPECIFIED) ANGULAR TOL ± 0.5 °		DIMENSION UNITS mm	SCALE 4:1			
	DRWN BY TIBARRA	DATE 2012/11/26	4 PLACES ± 3 PLACES ± 2 PLACES ± 0.13 1 PLACE ± 0.25 0 PLACES ±		CHKD BY JBINGHAM	DATE 2012/12/18		PRODUCT CUSTOMER DRAWING	
	EC NO: 123283 DRWN: KUCHILA CHKD: KUCHILA REV: J1	2017/10/13 2017/10/13 2017/10/18	DRAFT WHERE APPLICABLE MUST REMAIN WITHIN DIMENSIONS	DRAWING SIZE C	THIRD ANGLE PROJECTION	SERIES 76165		MATERIAL NUMBER SEE CHART	CUSTOMER GENERAL MARKET
	DOCUMENT NUMBER SD-76165-001		DOC TYPE PSD	DOC PART 001	SHEET NUMBER 1 OF 3	IMPACT BP 3 PAIR UNGUIDED ASSEMBLY SALES DRAWING			

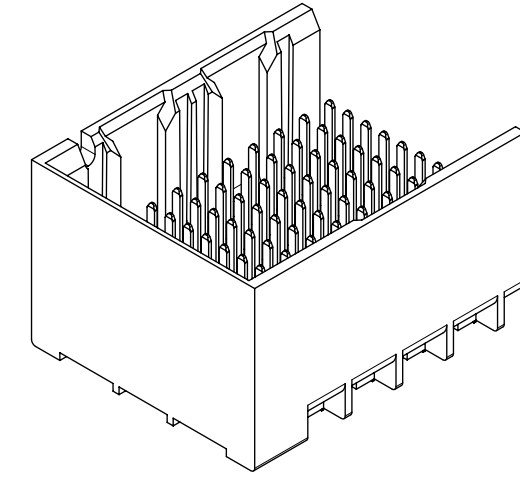
PART NUMBER CHART

MATERIAL NUMBER	# OF COLUMNS	# OF DIFF PAIR	DIM "A"	DIM "B"	DUAL END WALL OPTION
76165-*32*	6	18	14.1	9.50	
76165-*82*	8	24	17.9	13.30	
76165-*12*	10	30	21.7	17.10	
76165-*62*	16	48	33.1	28.50	



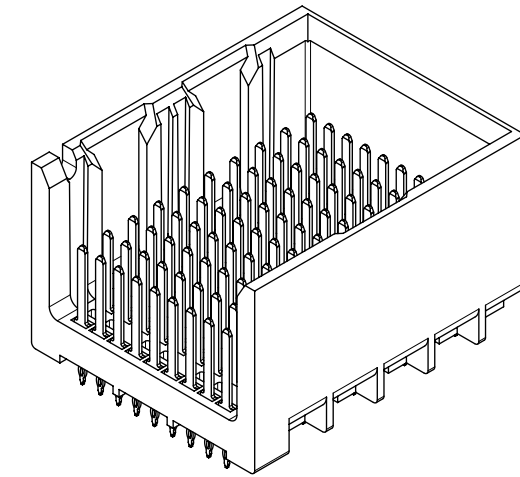
DUAL END
WALL OPTION

MATERIAL NUMBER	# OF COLUMNS	# OF DIFF PAIR	DIM "A"	DIM "B"	LEFT END WALL OPTION
76165-*31*	6	18	12.7	9.50	
76165-*81*	8	24	16.5	13.30	
76165-*11*	10	30	20.3	17.10	
76165-*61*	16	48	31.7	28.50	



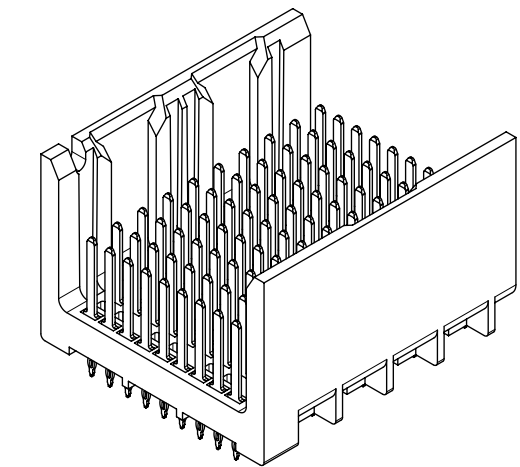
LEFT END
WALL OPTION

MATERIAL NUMBER	# OF COLUMNS	# OF DIFF PAIR	DIM "A"	DIM "B"	RIGHT END WALL OPTION
76165-*33*	6	18	12.7	9.50	
76165-*83*	8	24	16.5	13.30	
76165-*13*	10	30	20.3	17.10	
76165-*63*	16	48	31.7	28.50	



RIGHT END
WALL OPTION

MATERIAL NUMBER	# OF COLUMNS	# OF DIFF PAIR	DIM "A"	DIM "B"	OPEN WALL OPTION
76165-*30*	6	18	11.3	9.50	
76165-*80*	8	24	15.1	13.30	
76165-*10*	10	30	18.9	17.10	
76165-*60*	16	48	30.4	28.50	



OPEN
WALL OPTION

PART NUMBER LOGIC

76165- * * * *

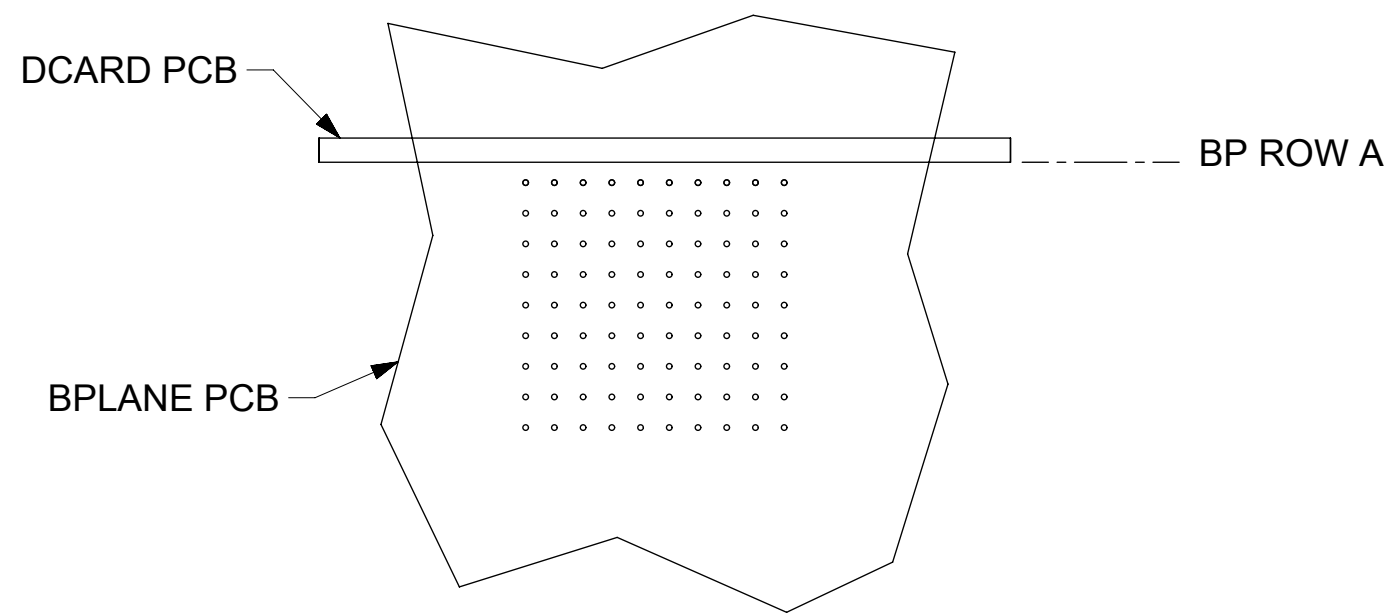
MODULE TYPE
1 = UNGUIDED, TIN

OF COLUMNS
1 = 10 COL
3 = 6 COL
6 = 16 COL
8 = 8 COL

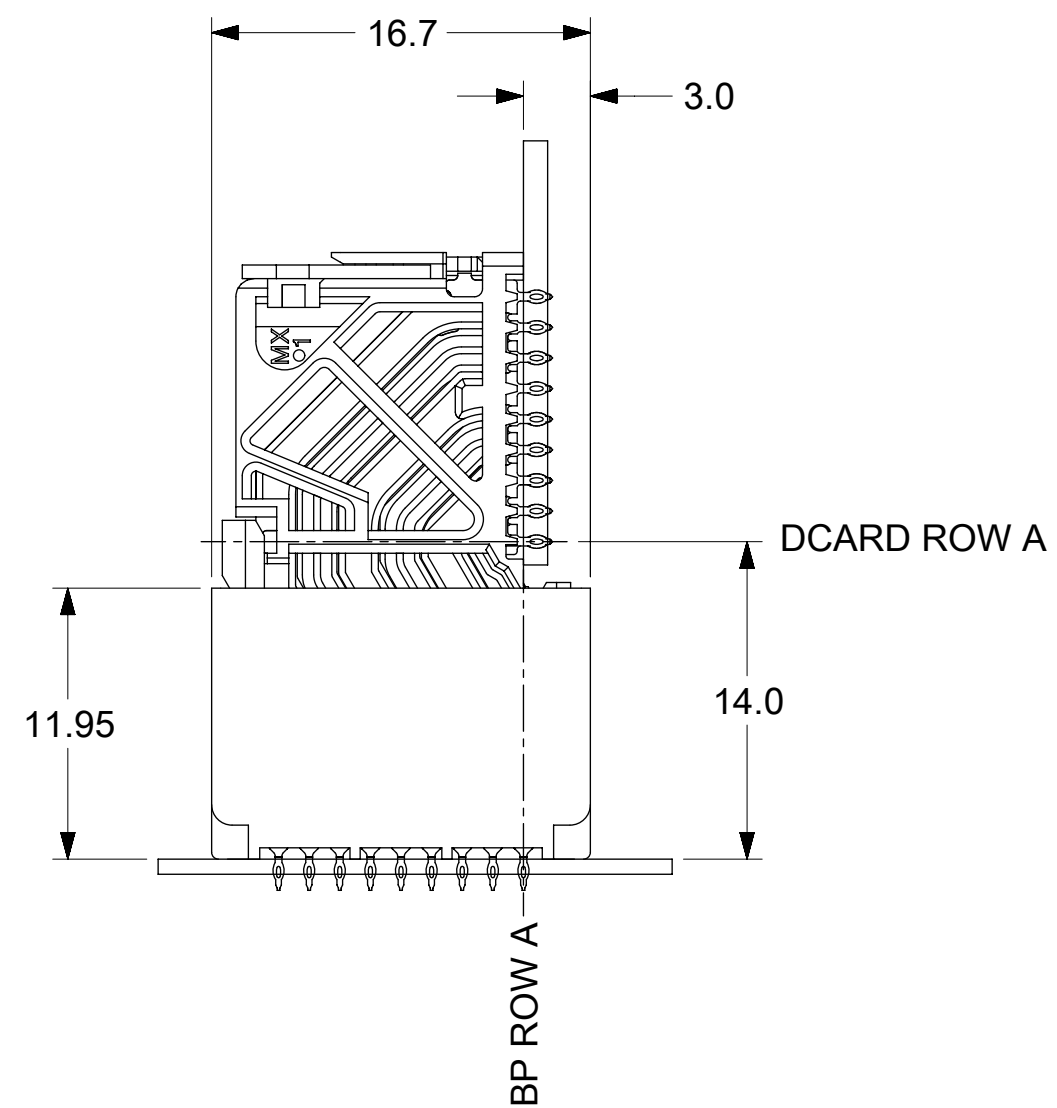
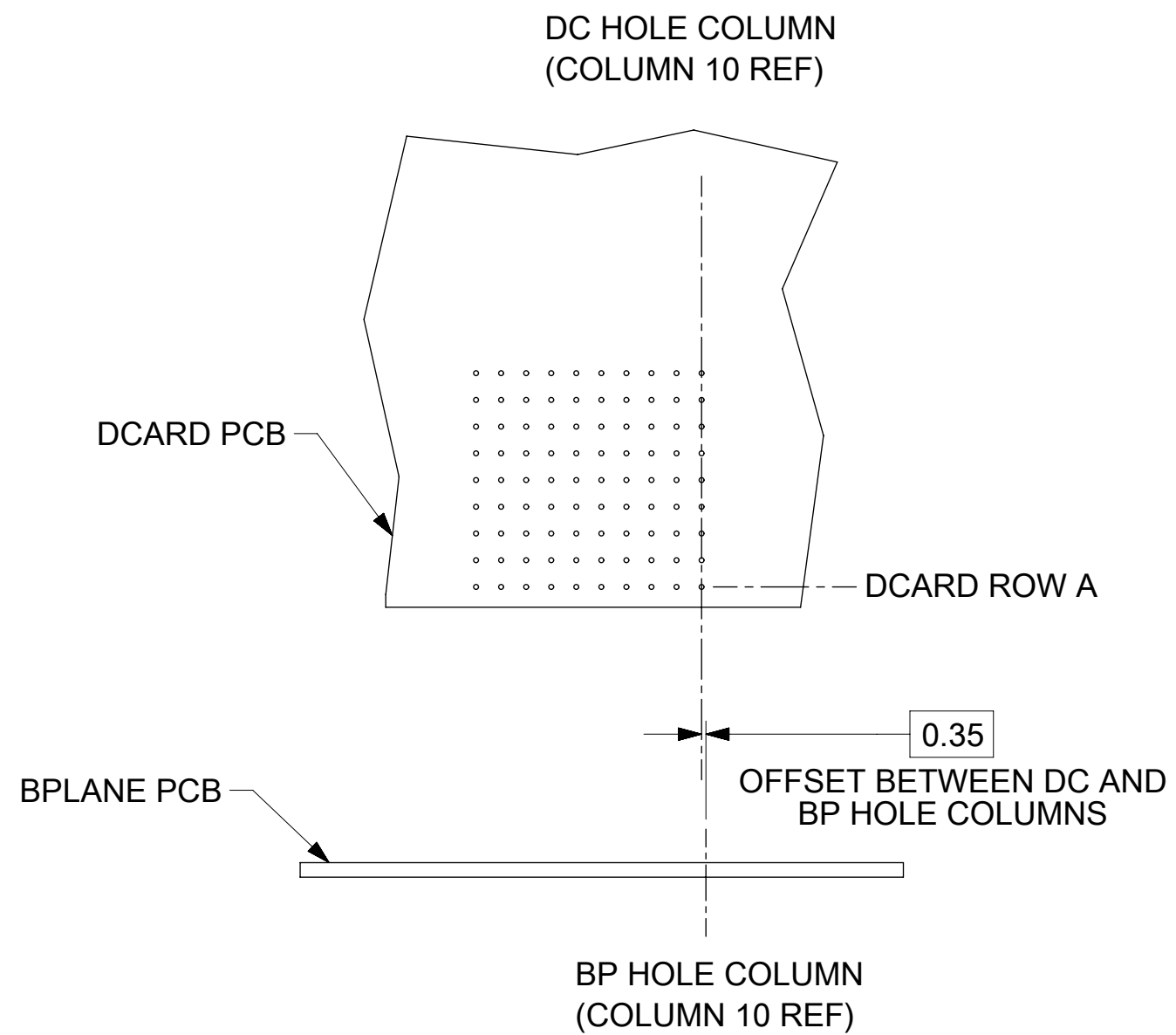
PIN LENGTH (P)
3 = 4.50 (SHORT COMPLIANT, 0.46±0.05 PTH)
4 = 4.90 (SHORT COMPLIANT, 0.46±0.05 PTH)
5 = 5.50 (SHORT COMPLIANT, 0.46±0.05 PTH)
6 = 4.50 (MICRO COMPLIANT, 0.39±0.05 PTH)
7 = 4.90 (MICRO COMPLIANT, 0.39±0.05 PTH)
8 = 5.50 (MICRO COMPLIANT, 0.39±0.05 PTH)

END WALL OPTIONS
0 = OPEN ENDS
1 = LEFT END WALL
2 = DUAL END WALL
3 = RIGHT END WALL

QUALITY SYMBOLS ▽ = 0 ▽ = 0 ▽ = 0 ▽ = 0 ▽ = 0 ▽ = 0 ▽ = 0 ▽ = 0 ▽ = 0	THIS DRAWING CONTAINS INFORMATION THAT IS PROPRIETARY TO MOLEX ELECTRONIC TECHNOLOGIES, LLC AND SHOULD NOT BE USED WITHOUT WRITTEN PERMISSION				DIMENSION UNITS mm		SCALE 2.5:1				
	GENERAL TOLERANCES (UNLESS SPECIFIED) ANGULAR TOL ± 0.5 °		DRWN BY TIBARRA		DATE 2012/11/26		IMPACT BP 3 PAIR UNGUIDED ASSEMBLY SALES DRAWING				
MIGRATED TO NX EC NO: 123283 DRWN: KUCHILA CHKD: KUCHILA APPR: PRAMASWAMY		4 PLACES ± 3 PLACES ± 2 PLACES ± 0.13 1 PLACE ± 0.25 0 PLACES ±		CHKD BY JBINGHAM		DATE 2012/12/18				PRODUCT CUSTOMER DRAWING	
DRAFT WHERE APPLICABLE MUST REMAIN WITHIN DIMENSIONS		DRAWING SIZE C		APPR BY SMILLER		DATE 2012/12/31		SERIES: 76165 MATERIAL NUMBER: SEE CHART CUSTOMER: GENERAL MARKET			
J1		THIRD ANGLE PROJECTION		DOCUMENT NUMBER SD-76165-001		DOC TYPE PSD					DOC PART 001



**IMPACT 3 PAIR
BOARD RELATIONSHIPS**



QUALITY SYMBOLS		THIS DRAWING CONTAINS INFORMATION THAT IS PROPRIETARY TO MOLEX ELECTRONIC TECHNOLOGIES, LLC AND SHOULD NOT BE USED WITHOUT WRITTEN PERMISSION										
▽ = 0	▽ = 0	MIGRATED TO NX EC NO: 123283 DRWN: KUCHILA CHKD: KUCHILA REV APPR: PRAMASWAMY	GENERAL TOLERANCES (UNLESS SPECIFIED)			DIMENSION UNITS	SCALE	molex				
▽ = 0	▽ = 0		ANGULAR TOL ± 0.5 °			mm	1:1					
▽ = 0	▽ = 0		4 PLACES ±			DRWN BY	DATE	IMPACT BP 3 PAIR UNGUIDED ASSEMBLY SALES DRAWING				
▽ = 0	▽ = 0		3 PLACES ±			TIBARRA	2012/11/26					
▽ = 0	▽ = 0		2 PLACES ± 0.13			CHKD BY	DATE	PRODUCT CUSTOMER DRAWING				
▽ = 0	▽ = 0		1 PLACE ± 0.25			JBINGHAM	2012/12/18					
▽ = 0	▽ = 0	0 PLACES ±			APPR BY	DATE	SERIES MATERIAL NUMBER CUSTOMER 76165 SEE CHART GENERAL MARKET					
▽ = 0	▽ = 0	DRAFT WHERE APPLICABLE MUST REMAIN WITHIN DIMENSIONS			SMILLER	2012/12/31						
▽ = 0	▽ = 0	J1	C	DRAWING SIZE		THIRD ANGLE PROJECTION		DOCUMENT NUMBER		DOC TYPE	DOC PART	SHEET NUMBER
				C				SD-76165-001		PSD	001	3 OF 3