

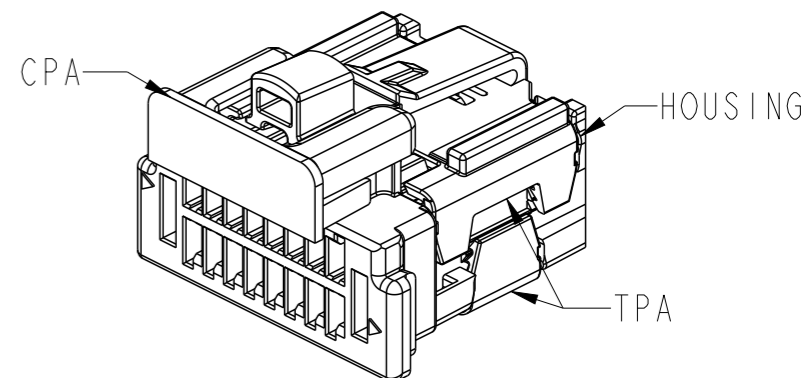
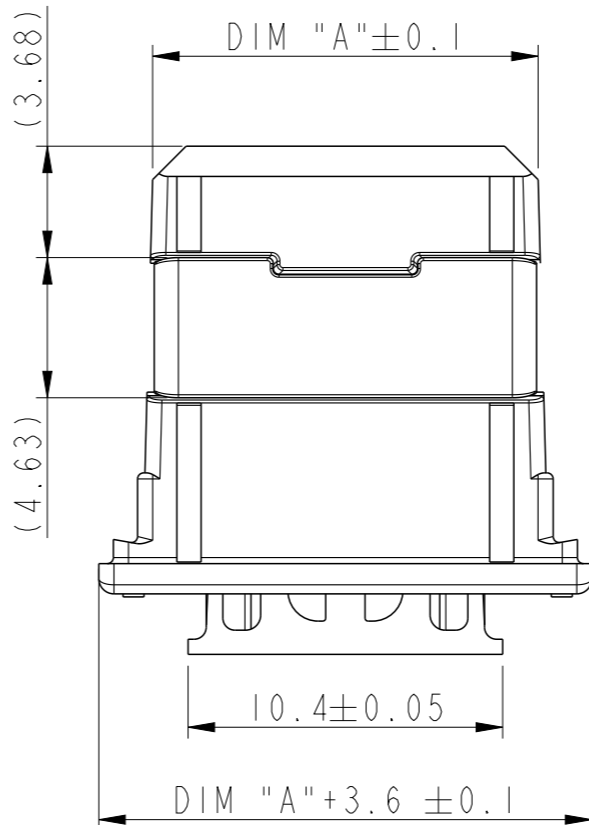
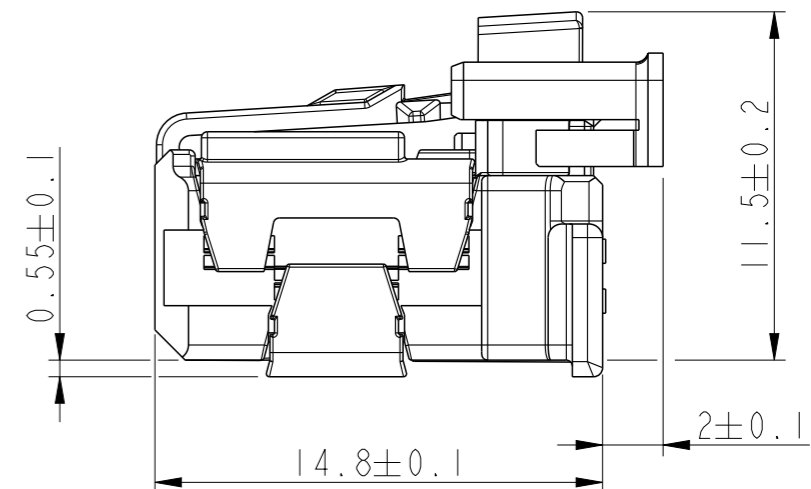
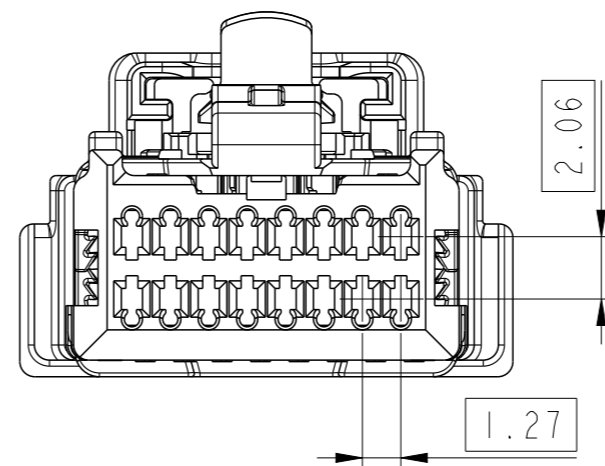
PRODUCT DESCRIPTION CODE :

10145028-0XX LF

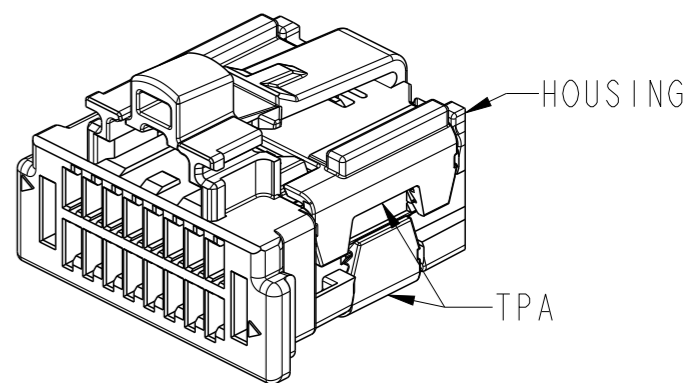
- R<sub>o</sub>HS COMPATIBLE
- FOR CUSTOMER CODE :  
BLANK = GENERAL USE
- PACKAGING :  
BLANK = BULK
- BLANK = WITH CPA  
W = WITHOUT CPA
- NUMBER OF POSITIONS : 14 TO 30
- MATERIAL

NOTES:

- 1 - MATERIAL:  
HIGH TEMPERATURE THERMOPLASTIC  
COLOR BLACK UL94 V-0
- 2 - FOR USE WITH MINITEK  $\mu$ SPACE CTW TERMINALS :  
AWG 28-30, SERIES 10141272 & 10148496
- 3 - TO BE MATED WITH MINITEK  $\mu$ SPACE HEADERS SERIES  
10145030 / 10145204
- 4 - THE PRODUCT IS NOT INTENDED TO BE EXPOSED TO ANY  
SOLDER PROCESS.
- 5 - R<sub>o</sub>HS COMPATIBLE PRODUCT SPECIFICATIONS
  - a - LABELLING :  
MEETS PACKAGING SPECS AS PER GS-14-920
  - b - LEGAL STATEMENT :  
SEE GS-47-0004.



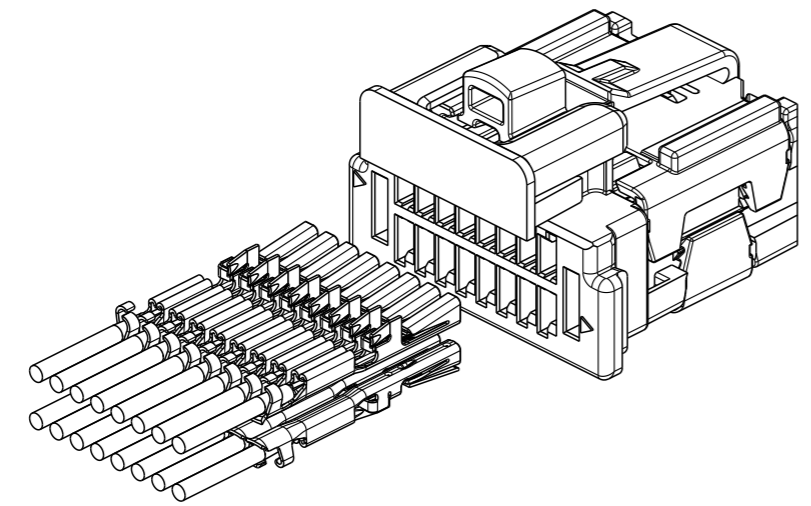
10145028-0XXLF (WITH CPA)



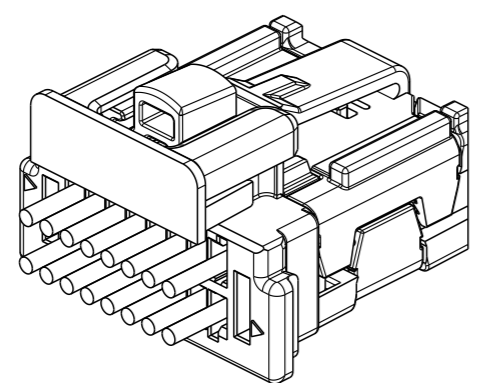
10145028-0XXWLF (WITHOUT CPA)

PRE-LOAD CONFIGURATION : DELIVERED STATUS

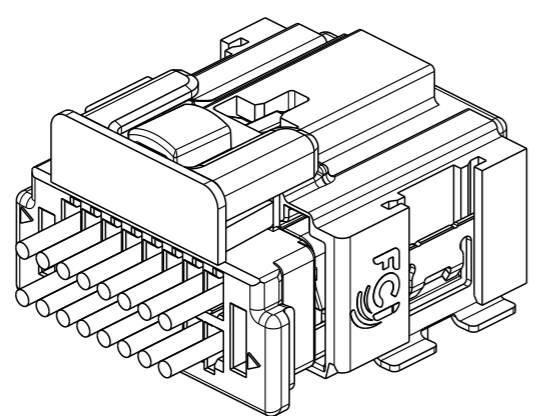
|                     |                                       |      |       |                 |                                           |            |                        |              |          |        |                           |     |          |
|---------------------|---------------------------------------|------|-------|-----------------|-------------------------------------------|------------|------------------------|--------------|----------|--------|---------------------------|-----|----------|
| spec ref            | -                                     |      |       | dr              | Sawanth, Ambaa                            | 2018/11/01 | projection             | mm           | size     | A3     | scale                     | 4:1 |          |
| tolerance std       | TOLERANCES UNLESS OTHERWISE SPECIFIED |      |       | eng             | Canque, Vincen                            | 2021/07/28 |                        |              |          | ecn no | ELX-F-41845-1             |     |          |
| ISO 406<br>ISO 1101 |                                       |      |       | chr             | -                                         | -          | product family         | -            |          |        | rel level <b>Released</b> |     |          |
| surface             | linear                                | 0.X  | ±0.3  | Amphenol<br>FCi | RECEPTACLE ASSEMBLY                       |            |                        | dwg no       | 10145028 |        |                           | rev | <b>B</b> |
|                     |                                       | 0.XX | ±0.10 |                 | MINITEK $\mu$ SPACE STS DR 1.27 TOP LATCH |            |                        |              |          |        |                           |     |          |
| ISO 1302            | angular                               | 0°   | ±2°   |                 | cat. no.                                  | -          | Product - Customer Drw | sheet 1 of 3 |          |        |                           |     |          |



PRE-LOAD CONFIGURATION FOR TERMINAL INSERTION

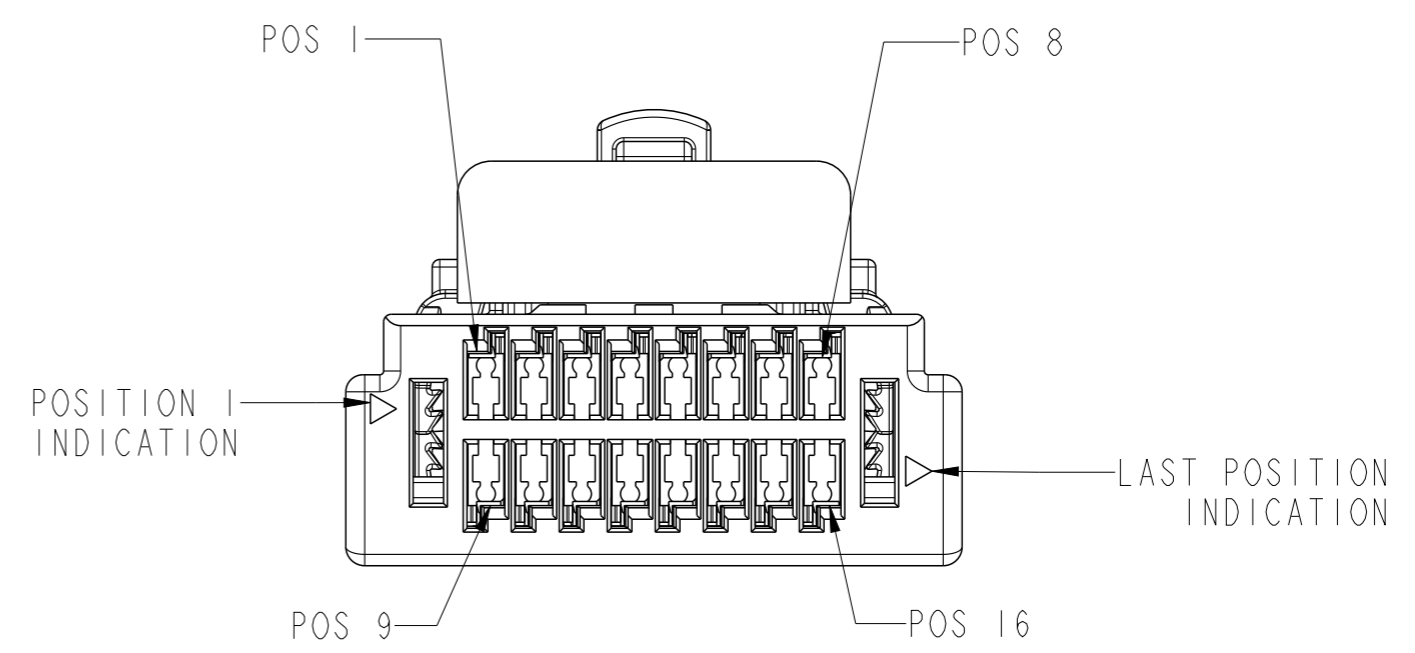


FINAL LOAD CONFIGURATION WITH INSERTED TERMINAL



FULL HEADER AND RECEPTACLE ASSEMBLY CONFIGURATION

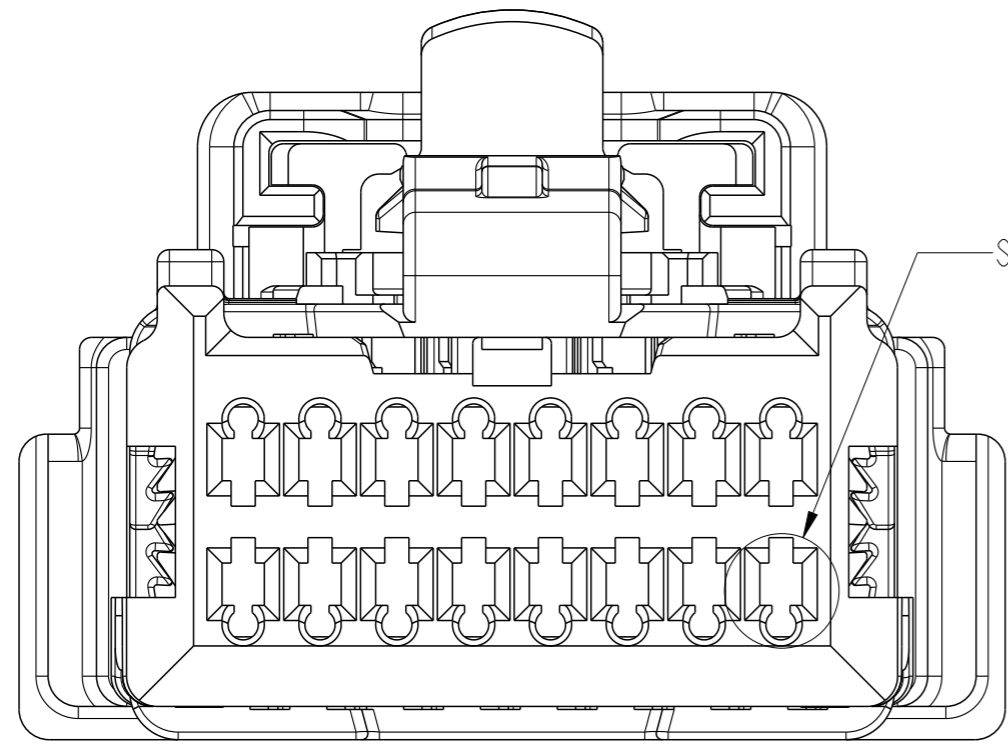
| PART NO        | NO. OF POSN | DIM "A" |
|----------------|-------------|---------|
| 10145028-014LF | 14          | 11.48   |
| 10145028-016LF | 16          | 12.75   |
| 10145028-018LF | 18          | 14.02   |
| 10145028-020LF | 20          | 15.29   |
| 10145028-022LF | 22          | 16.56   |
| 10145028-024LF | 24          | 17.83   |
| 10145028-026LF | 26          | 19.10   |
| 10145028-028LF | 28          | 20.37   |
| 10145028-030LF | 30          | 21.64   |



POSITION NUMBER INDICATION FOR 16POS

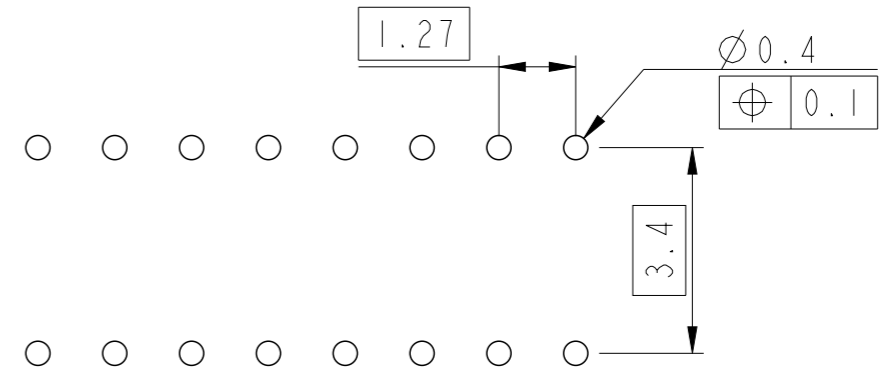
SCALE 5:1

|                                       |         |                    |            |                                   |    |                                                             |           |
|---------------------------------------|---------|--------------------|------------|-----------------------------------|----|-------------------------------------------------------------|-----------|
| spec ref -                            |         | dr Sawanth, Ambaa  | 2018/11/01 | projection                        | mm | size A3                                                     | scale 3:1 |
| tolerance std ISO 406 ISO 1101        |         | eng Canque, Vincen | 2021/07/28 |                                   |    | ecn no ELX-F-41845-1                                        |           |
| TOLERANCES UNLESS OTHERWISE SPECIFIED |         | chr -              | -          |                                   |    | rel level Released                                          |           |
| surface                               | linear  | 0.X                | ±0.3       | <b>Amphenol FCI</b>               |    | RECEPTACLE ASSEMBLY<br>MINITEK μSPACE STS DR 1.27 TOP LATCH |           |
|                                       |         | 0.XX               | ±0.10      |                                   |    |                                                             |           |
| ISO 1302                              | angular | 0.XXX              | ±0.005     | cat. no. - Product - Customer Drw |    | rev B<br>sheet 2 of 3                                       |           |
|                                       |         | 0°                 | ±2°        |                                   |    |                                                             |           |

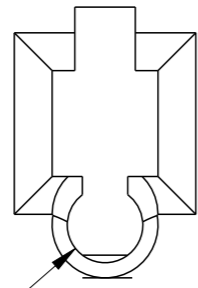


SEE DETAIL A

TEST PROBE  $\varnothing$ 0.4mm COMPLIANCE



RECOMMENDED LAYOUT OF TEST PROBE  $\varnothing$ 0.4mm



HOLE FOR TEST PROBE

DETAIL A  
SCALE 20:1

|                                       |         |                    |               |                                           |    |                      |           |
|---------------------------------------|---------|--------------------|---------------|-------------------------------------------|----|----------------------|-----------|
| spec ref -                            |         | dr Sawanth, Ambaa  | 2018/11/01    | projection                                | mm | size A3              | scale 8:1 |
| tolerance std<br>ISO 406<br>ISO 1101  |         | eng Canque, Vincen | 2021/07/28    |                                           |    | ecn no ELX-F-41845-1 |           |
| TOLERANCES UNLESS OTHERWISE SPECIFIED |         | chr -              | -             | product family                            | -  | rel level Released   |           |
| surface                               | linear  | 0.X                | $\pm 0.3$     | RECEPTACLE ASSEMBLY                       |    | dwg no 10145028      | rev B     |
|                                       |         | 0.XX               | $\pm 0.10$    |                                           |    |                      |           |
|                                       | angular | 0°                 | $\pm 2^\circ$ | MINITEK $\mu$ SPACE STS DR 1.27 TOP LATCH |    |                      |           |
| ISO 1302                              |         | cat. no.           | -             | Product - Customer Drw                    |    | sheet 3 of 3         |           |