

# PI CA40-LP

LOOP POWERED

## DESCRIPTION

LOOP POWERED INDICATOR

- PROCESS (4-20 mA).

**48x24 mm front**

Panel instrument for 4-20 mA loop signals measurement  
Fully programmable.  
Display range -1999 to 9999, programmable decimal point.  
Keys situated below the display.

## PICA40-LP



## TECHNICAL CHARACTERISTICS

Range ..... 4-20 mA  
Resolution ..... 0.01mA

### INPUT IMPEDANCE

mA ..... 10 Ω

### ACCURACY at 23°C ±5°C

Max Error..... ±(0.1% of reading + 3 digits)  
Temperature coefficient..... 100 ppm/°C  
Warm up..... 5 minutes

### POWER SUPPLY

Loop power supply  
Loop drop (4- 20 mA)..... < 5V

### CONVERSION

Technical..... Single slope  
Resolution ..... 16 bits  
Rate ..... 62/ s

### DISPLAY

Range..... -1999 ÷ 9999  
Type..... 4 red digits 10mm  
Reading rate..... 2/s  
Overflow indication..... **0.0E**

### ENVIRONMENTAL

Operating temperature..... -10°C ÷ +60°C  
Storage temperature..... -25°C ÷ +85°C  
Relative humidity (non condensed)..... <95% ÷ 40°C  
Maximum altitude..... 2000m.  
Panel sealing..... IP65

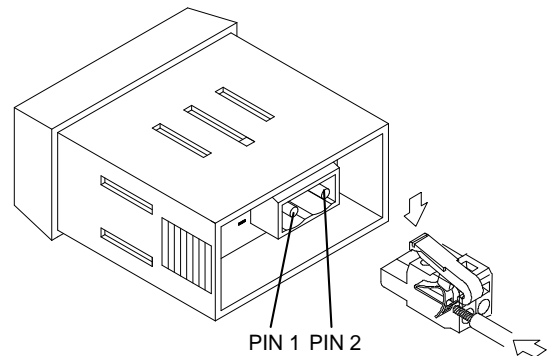
## PROGRAMMING

Display range: ..... -1999 to 9999



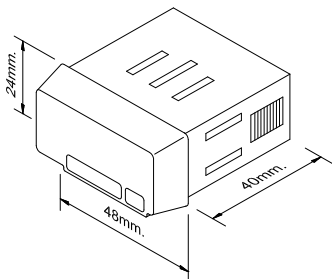
KEYBOARD DETAIL (BOTTOM VIEW)

## CONNECTIONS

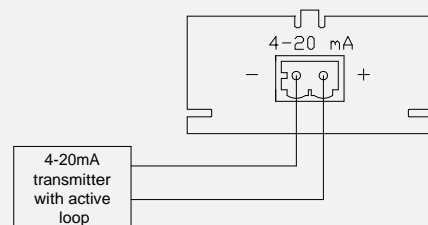


## DIMENSIONS AND MOUNTING

Dimensions ..... 48 x 24 x 40 mm.  
Panel cutout ..... 22 x 45 mm.  
Weight ..... 50 g.  
Case material..... Polycarbonat s/ UL 94 V-0



CN1	INPUT SIGNAL
PIN	
1	(-) 4 - 20 mA Loop
2	(+) 4 - 20 mA Loop



## DISEÑOS Y TECNOLOGIA, S.A.

Travessera de Les Corts, 180 08028 BARCELONA ESPAÑA –

Tel:+34 - 93 339 47 58 Fax: +34 - 93 490 31 45 E-mail: [dtl@ditel.es](mailto:dtl@ditel.es) Web: [www.ditel.es](http://www.ditel.es)

