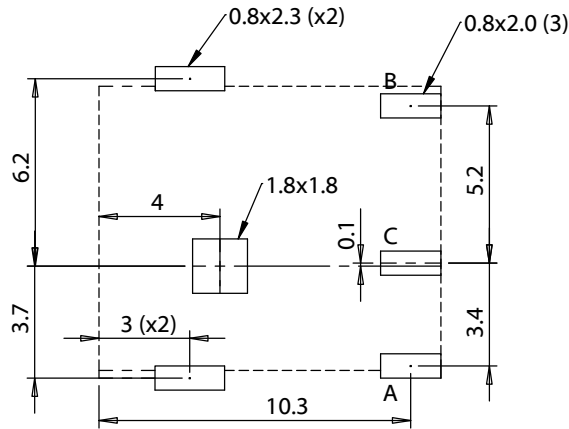
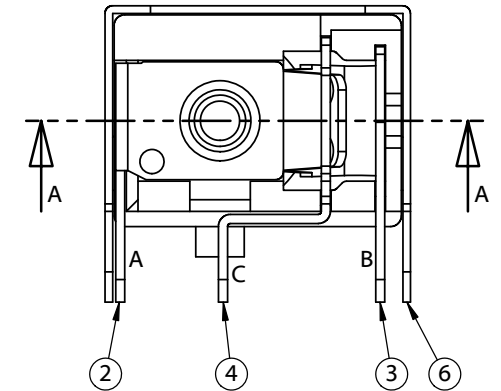
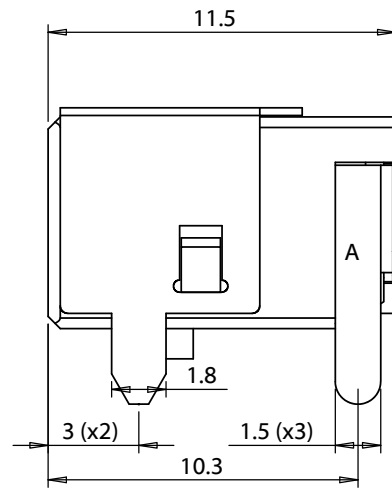
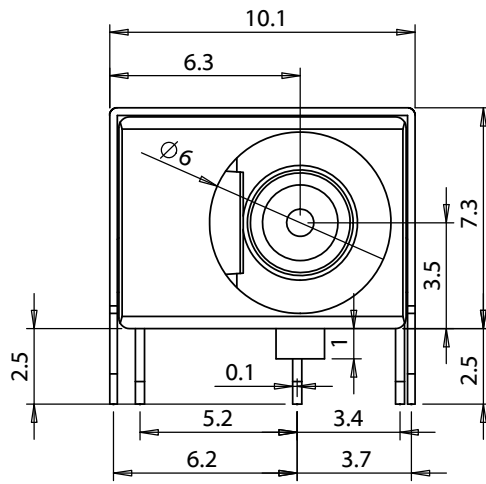
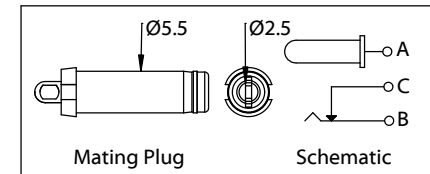
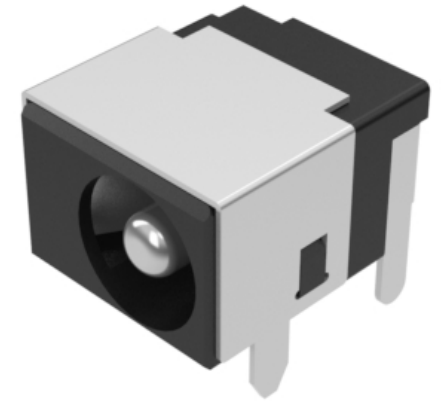


SECTION A-A



P.C.B. Layout



Revision:	Date:	Description:	Prepared:	Notes:	<h1>TENSILITY</h1>
A	9/24/2018	Initial release	AW <small>Digitally signed by AW Date: 2020.01.30 11:42:08 -08'00'</small>		
			Verified:	Description: Connector, dc jack 5.5x2.5 mm, PCB mount, 90°, silver plated, thru hole	Size:
			AG <small>Digitally signed by AG Date: 2020.01.30 16:10:04 -08'00'</small>		Part number:
			Dimensions are in millimeters. Tolerances: < 1.0: ± 0.1 mm 1.0 to 10.0: ± 0.2 mm > 10.0: ± 0.3 mm		Scale: 4:1
					Sheet 1 of 2

