

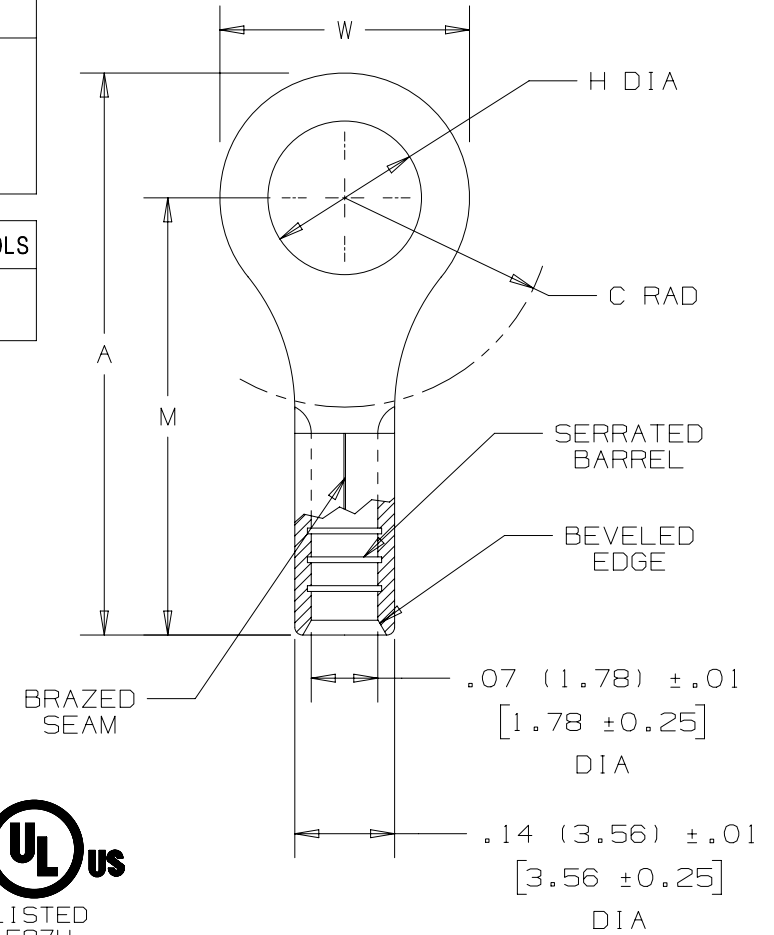
THIS COPY IS PROVIDED ON A RESTRICTED BASIS AND IS NOT TO BE USED IN ANY WAY DETRIMENTAL TO THE INTERESTS OF PANDUIT CORP.

PANDUIT PART #	STUD SIZE	DIMENSIONS - in. [mm]				
		A ± .03 [0,8]	W ± .01 [0,3]	C ± .02 [0,5]	M ± .03 [0,8]	H ± .01 [0,3]
P18-6RHT6	#6	.62 [15,75]	.25 [6,35]	.21 [5,33]	.50 [12,70]	.15 [3,81]
P18-8RHT6	#8	.71 [18,03]	.31 [7,87]	.25 [6,35]	.55 [13,97]	.17 [4,32]
P18-10RHT6	#10	.71 [18,03]	.31 [7,87]	.25 [6,35]	.55 [13,97]	.20 [5,08]

UL TOOLS
CT-100A CT-200 CT-600-A (CT-570CH) CT-1570 CT-2500 (CT-2570CH)
PANDUIT APPROVED TOOLS
CT-160 CT-260

NOTES:

- UL LISTED FOR:
  - A. #22-16 AWG SOLID OR STRANDED COPPER WIRE
  - B. 650°F [343°C] MAX TEMP RATING
  - C. 2000 VOLTS MAX
- SEE [www.panduit.com](http://www.panduit.com) FOR PACKAGE QUANTITIES
- MATERIAL:
  - A. STAMPING - .03" [0,8] THK COPPER, NICKEL PLATED
- DIMENSIONS IN BRACKETS ARE IN MILLIMETERS
- WIRE STRIP LENGTH: 9/32" <sup>+1/32</sup><sub>-0</sub> [7,1mm <sup>+0,8</sup><sub>-0</sub>]



TITLE					
<b>#22-16 BARREL NON-INSULATED RING TONGUE, HIGH TEMPERATURE, 650° F</b>					
CUSTOMER DRAWING					
ITEM REVISION NAME			N41265BA/07		
DATASET FILE NAME			N41265BA/07		
UNLESS OTHERWISE SPECIFIED, DIMENSIONAL TOLERANCES ARE: IN [mm]					MATERIAL:
.X ± .XXX ± .XX ± ANGLES ±					SEE NOTE 3
THIRD ANGLE PROJECTION					DRAWING NUMBER:
					A41265
DRAWN BY	DATE	CHK	SCALE	SHT 1 OF 1	
DAW			NONE	A	

REV	DATE	BY	CHK	APR	DESCRIPTION	ECN
07	5/17	JHNU	TMR	RGB	UPDATED TOOL CHART FORMAT	N41265BA-A41265
06	06/14	MBY	JHNU	RGB	ADDED cULus LOGO, REVISED NOTES, MOVED TOOLS TO TABLE, UPDATED BORDER	N41265BA-A41265

D101000DA/16