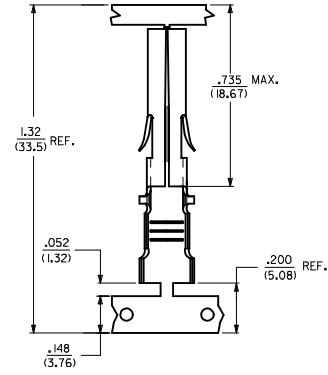
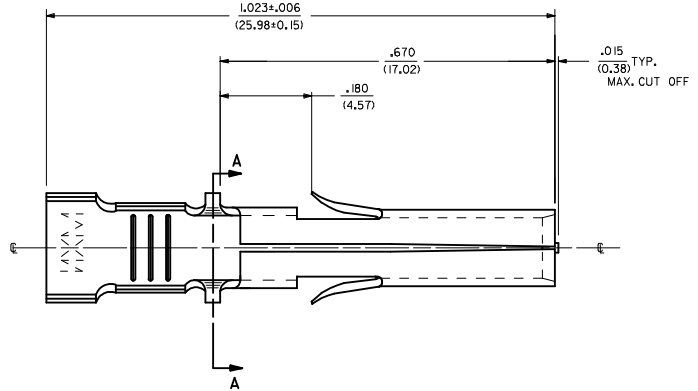


| 20 | 19 | 18 | 17 | 16 | 15 | 14 | 13 | 12 | 11 | 10 | 9 | 8 | 7 | 6 | 5 | 4 | 3 | 2 | 1 |
|------------|------------|--------------------------|--------------------------------------|-----------------|-------------|----|----|----|----|----|---|---|---|---|---|---|---|---|---|
| ITEM NO. | CRIMP SIZE | MATERIAL | PLATING | PACKAGING | 'D' | | | | | | | | | | | | | | |
| 42825-4002 | 12 AWG | .0160/10.406 THICK BRASS | PRE-TINNED .000020 (0.0005) MIN. TIN | SHIPPED ON REEL | .225 (5.72) | | | | | | | | | | | | | | |

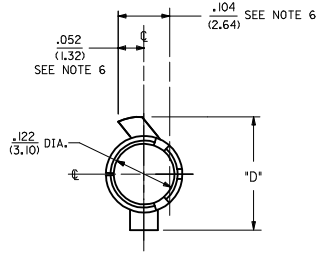


STRIP AND CARRIER LAYOUT
SCALE 4:1

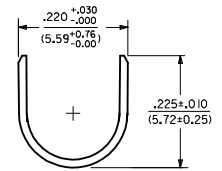
- NOTES:
1. MATERIAL: SEE CHART
 2. FINISH: SEE CHART
 3. PRODUCT SPECIFICATION: PS-40585
 4. PACKAGING: SEE CHART
 5. REELS OF THESE TERMINALS CANNOT HAVE MECHANICAL SPLICES.
 6. USING SEAM LINE AS VERTICAL CENTERLINE INDICATOR- MAXIMUM EXCURSION FROM HORIZONTAL CENTERLINE IS INDICATED FOR BOTH LOCK AND STOP TABS.
 7. THIS TERMINAL FOR USE IN HOUSING NO'S. 40585-1-5, 40585-3000, 43032-3000, 43032-3400, AND 43032-3500.
 8. TERMINALS FOR USE WITH STRANDED WIRE.
 9. PARTS CONFORM TO CLASS B REQUIREMENTS OF COSMETIC SPECIFICATION PS-45499-002.



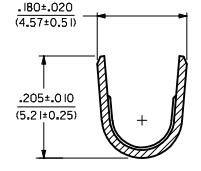
12 AWG TERMINAL SHOWN



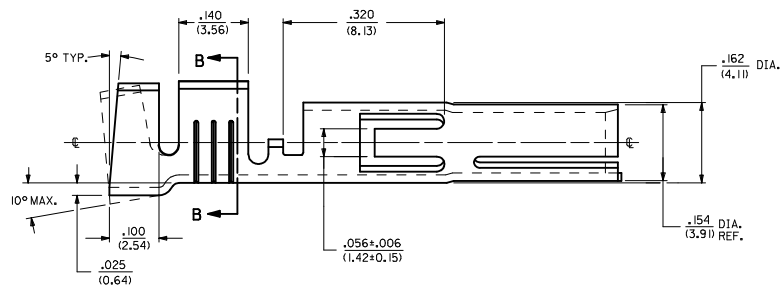
SECTION A-A



INSULATION CRIMP DETAIL



SECTION B-B



| | | | | | | |
|-----------------------------------------------------------------------------------------------------------------|-----------------|------------------------------------------------------|-------------------------------------------------------------------------------------------------------------------------------|-----------------------|-------------------------------------|------------------------|
| <p>REMOVE OBSOLETE EC NO. UCF 2016-4886 DRAWN: BAPPELDORN CHKD: KAPFER APPR: F SMITH</p> | QUALITY SYMBOLS | GENERAL TOLERANCES (UNLESS SPECIFIED) | DIMENSION STYLE | SCALE | DESIGN UNITS | THIRD ANGLE PROJECTION |
| | ▽=0 | mm INCH | IN/MM | 8:1 | INCH | ☉ |
| | ▽=0 | 4 PLACES ± --- ± --- | DRAWN BY DATE | BAPPELDORN 2016/06/24 | TITLE | |
| | ▽=0 | 3 PLACES ± --- ± .005 | CHECKED BY DATE | SBB 91/03/08 | TERMINAL SOCKET .125 (3.18) DIA. | |
| | ANGULAR ±1/2° | DRAFT WHERE APPLICABLE MUST REMAIN WITHIN DIMENSIONS | MATERIAL NO. | DOCUMENT NO. | SHEET NO. | |
| | | | SEE CHART | SD-42825-40** | 1 OF 1 | |
| | | | THIS DRAWING CONTAINS INFORMATION THAT IS PROPRIETARY TO MOLEX INCORPORATED AND SHOULD NOT BE USED WITHOUT WRITTEN PERMISSION | | | |