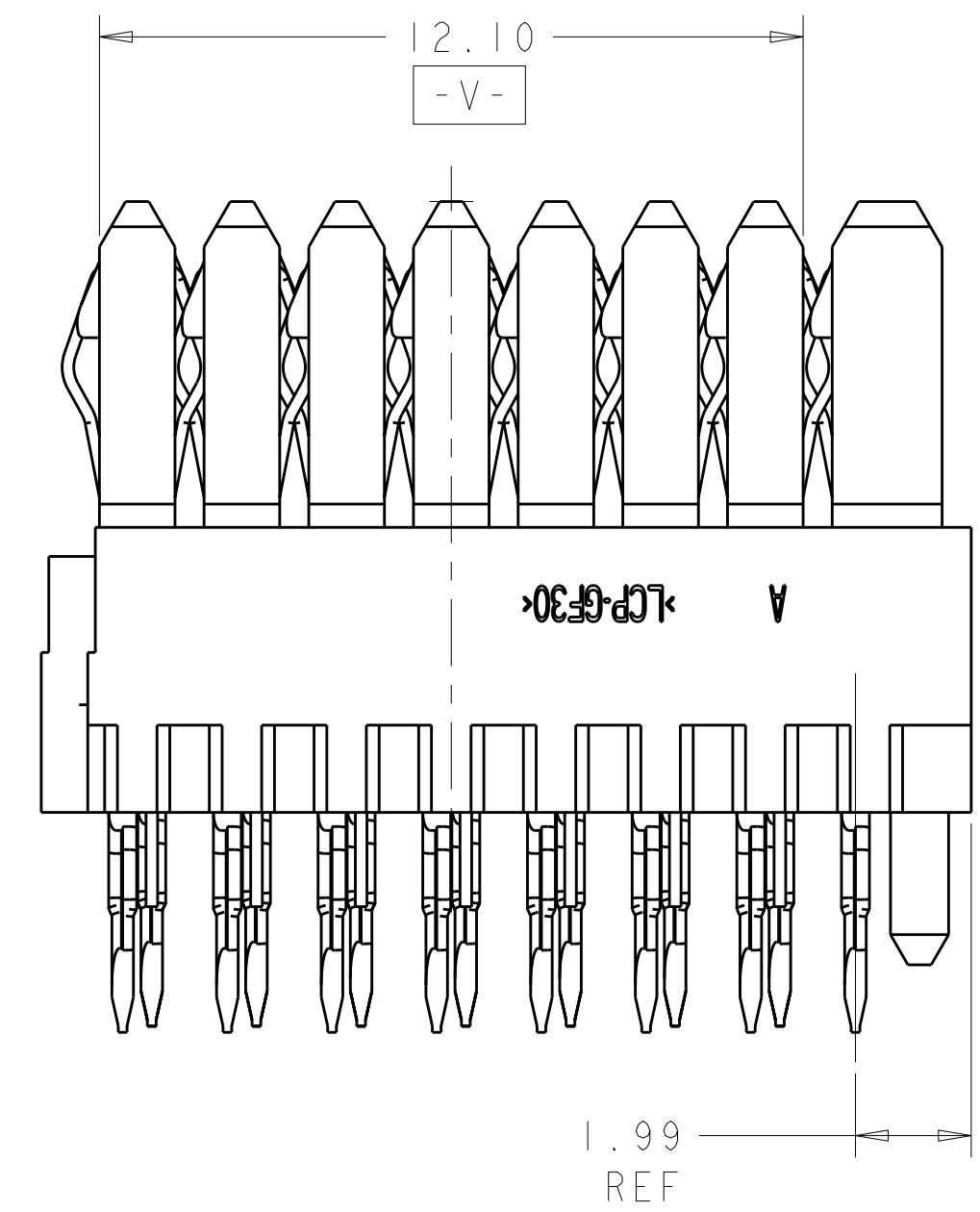
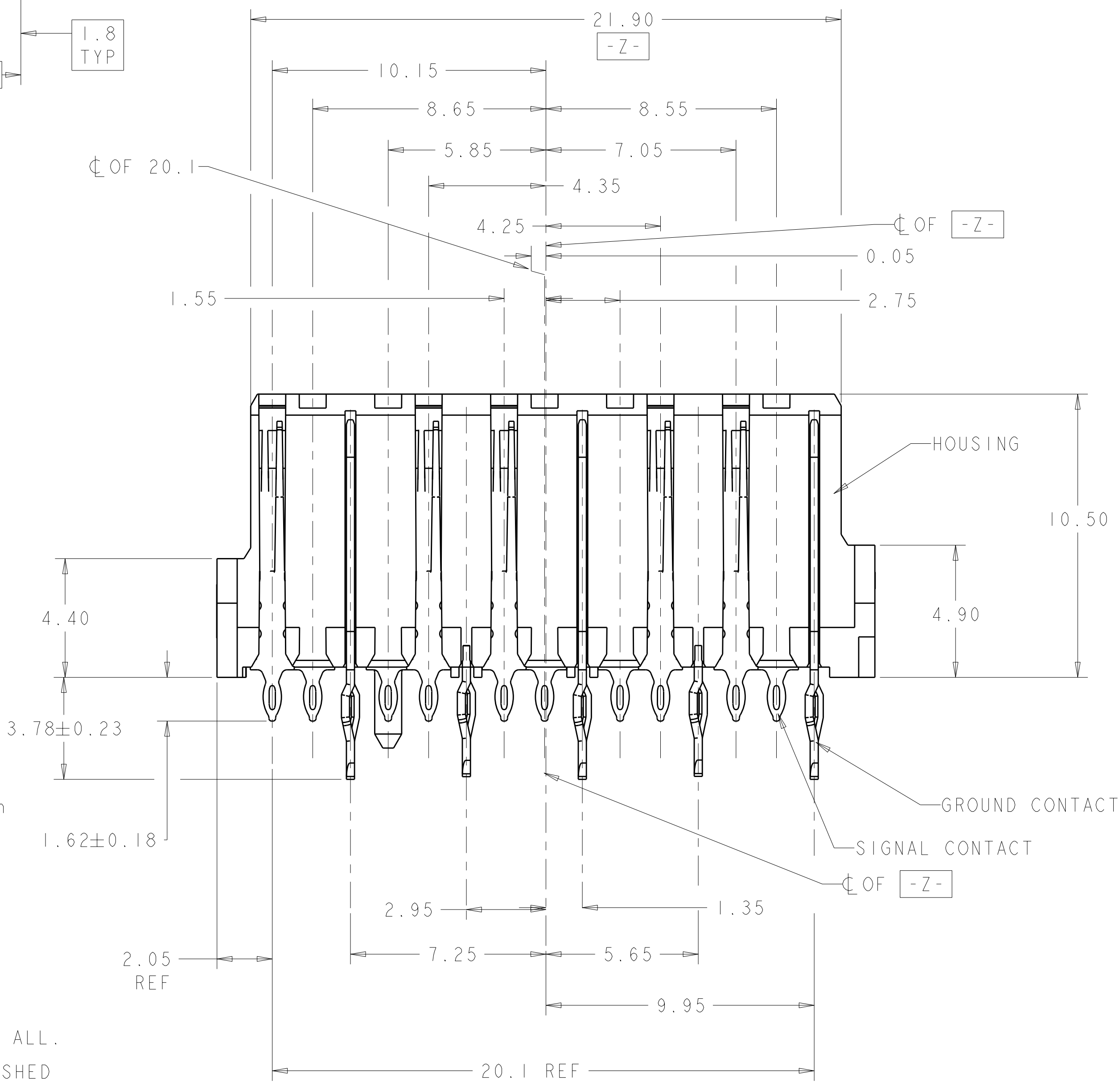
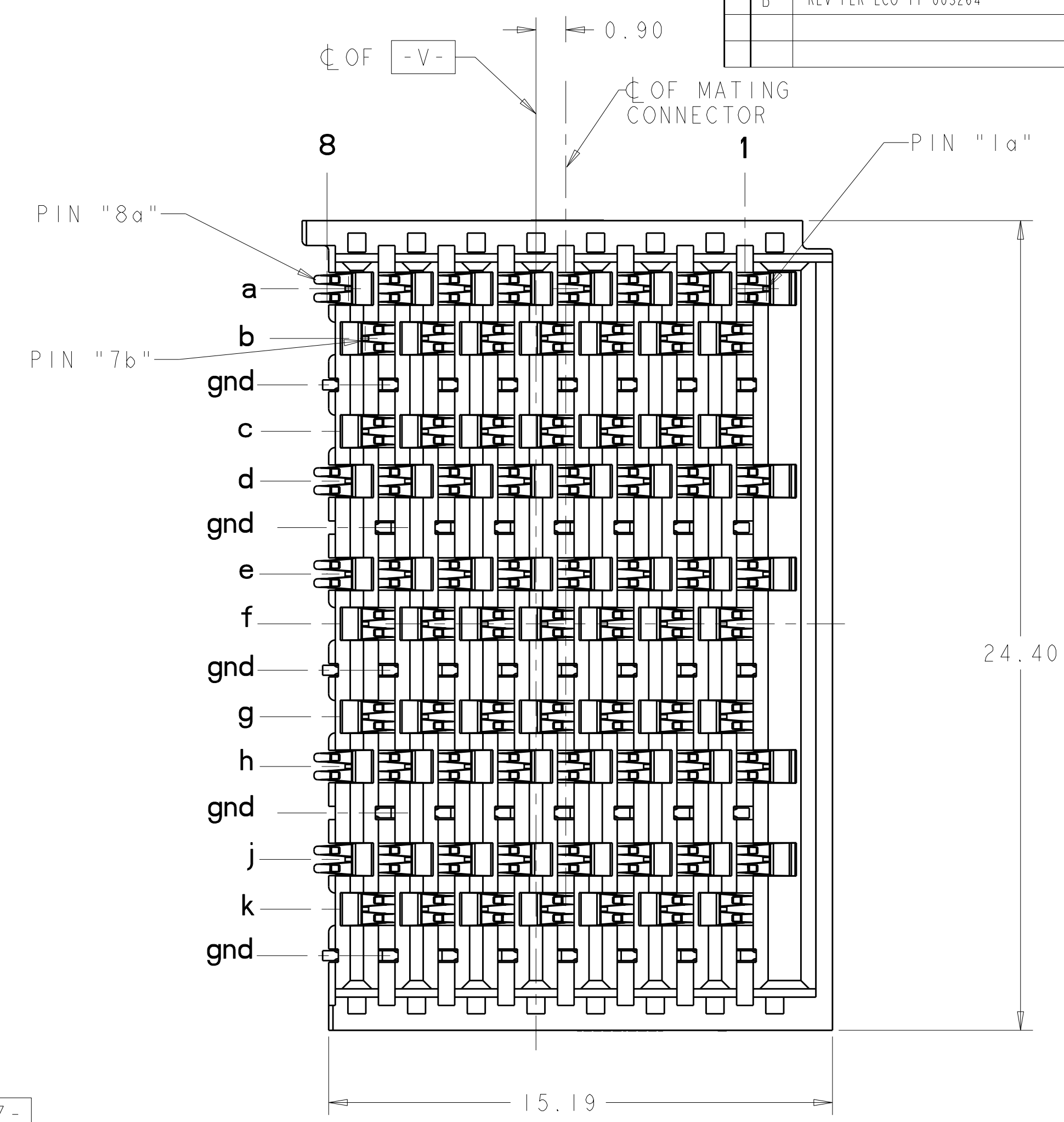
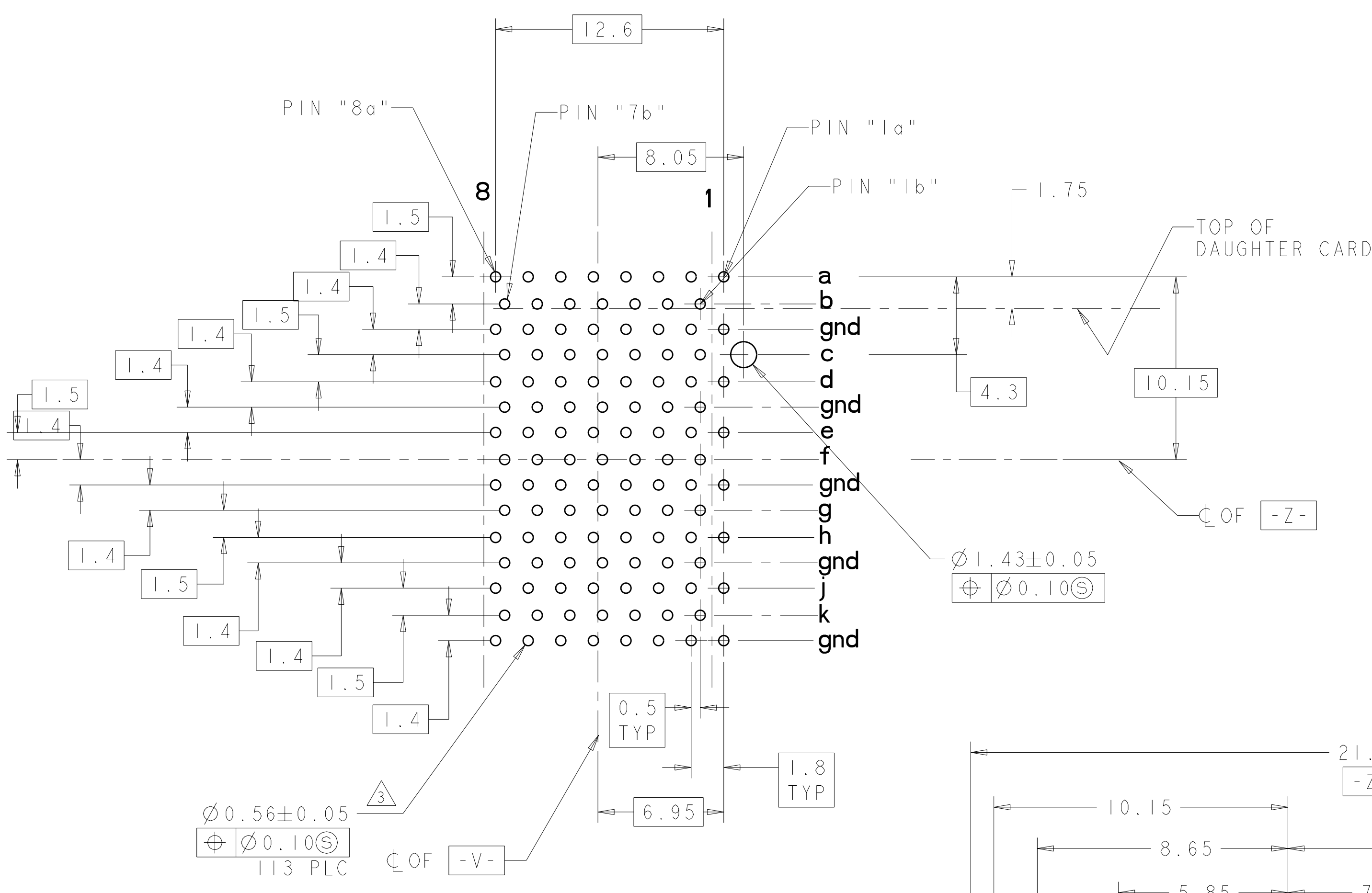


REV ISIONS		DATE	DWN	APVD
A	EC 0512-0341-04	29JUL2004	BW	GG
B	REV PER ECO-11-003264	25AUG2011	RG	AS



- △ HOUSING: LCP, UL94V-0, BLACK.
CONTACT: PHOSPHOR BRONZE.
- △ 1.27 μm GOLD PER ASTM B 488 IN CONTACT AREA, 1.27 μm MIN TIN-LEAD ON PCB TAIL, OVER 3.81 μm MIN NICKEL PER SAE AMS-QQ-N-290 OVER ALL.
- △ MANUFACTURING TOLERANCE FOR Ø0.56 ± 0.05 DIAMETER FINISHED HOLE:
DRILLED HOLE: Ø0.65 ± 0.02
COPPER PLATING: 0.050 - 0.025
TIN-LEAD PLATING: 0.0124 - 0.0038.
- △ 1.27 μm GOLD PER ASTM B 488 IN CONTACT AREA, 1.27 μm MIN MATTE TIN PER ASTM B 545 ON PCB TAIL, OVER 3.81 μm MIN NICKEL PER SAE AMS-QQ-N-290 OVER ALL.
- △ MANUFACTURING TOLERANCE FOR A Ø 0.575 ± 0.045 FINISHED HOLE WITHOUT TIN LEAD PLATING:
DRILLED HOLE: Ø0.65 ± 0.02
COPPER PLATING: 0.025 - 0.050

△ 4	△ 5	1410231-2
△ 2	△ 3	1410231-1
CONTACT TAIL/HOLE FINISH		PART NO

DIMENSIONS: mm TOLERANCES UNLESS OTHERWISE SPECIFIED: 9 PLC ±0.5 7 PLC ±0.13 5 PLC ±0.13 4 PLC ±0.13 ANGLES ±1°		DWN: VAN SCOCCO CHK: N. RESEAR APVD: D. DEBRAUGH PRODUCT SPEC: 108-2072 APPLICATION SPEC: 114-13056 WEIGHT: - CUSTOMER DRAWING	24SEP2001 24SEP2001 24SEP2001 114-13056 - SCALE 8:1	Tyco Electronics Harrisburg, PA 17105-3608 NAME: VERTICAL RECEPTACLE ASSEMBLY, LEFT END, HALF, 25.4 mm, MultiGig RT-1, BACKPLANE CONNECTOR SIZE: A11 CAGE CODE: 00779 DRAWING NO: 1410231 SHEET 1 OF 1 REV B
---	--	--	--	---